

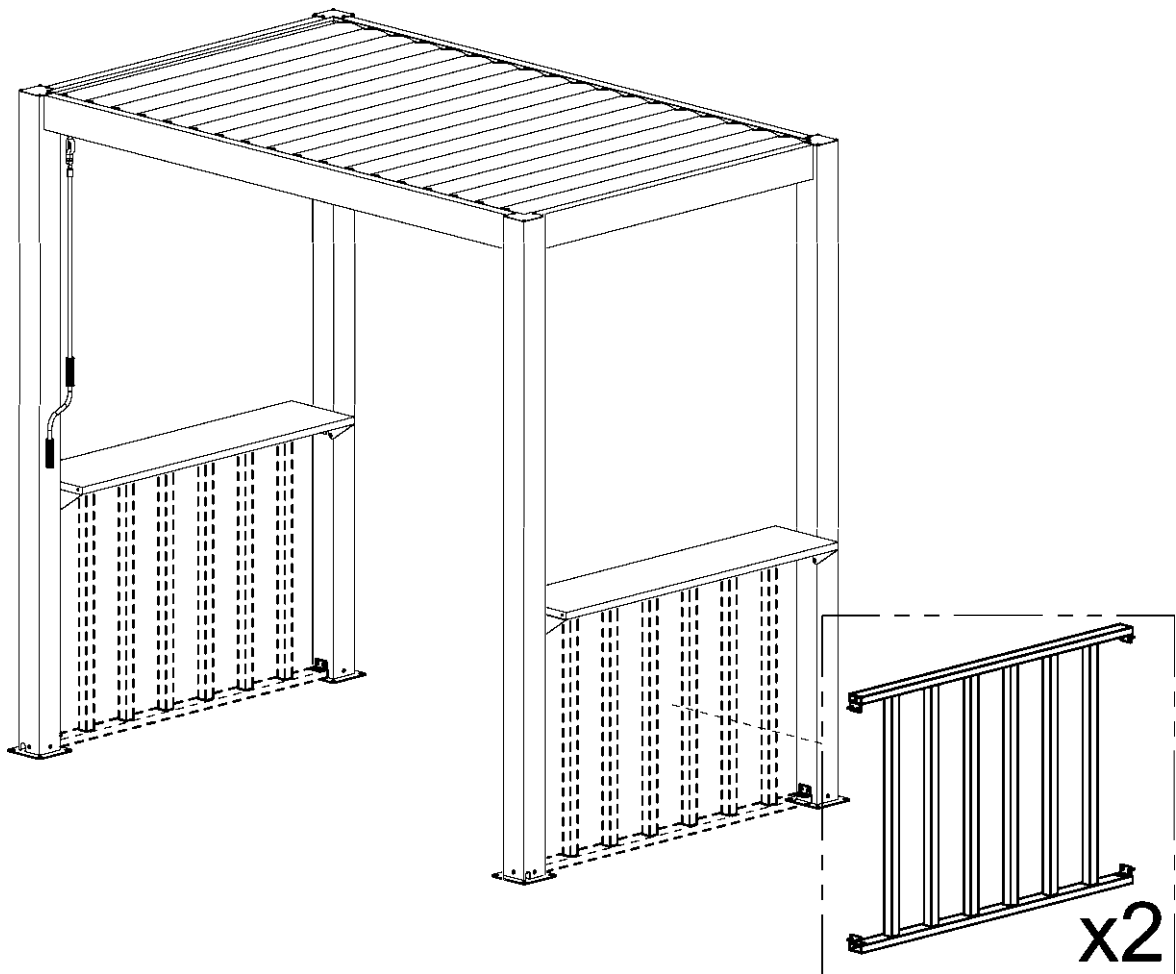
**DANCOVER<sup>®</sup>**

**.com**

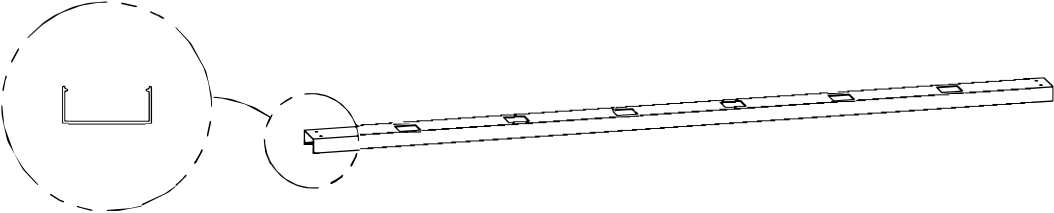
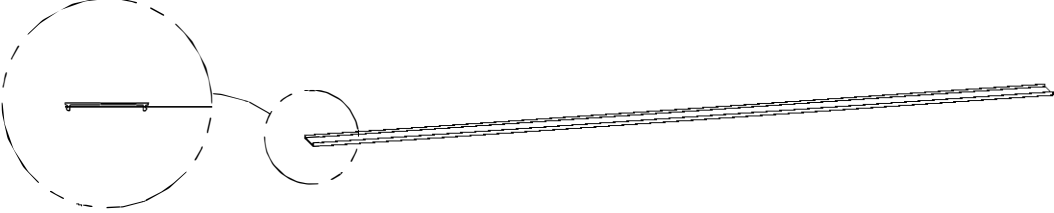
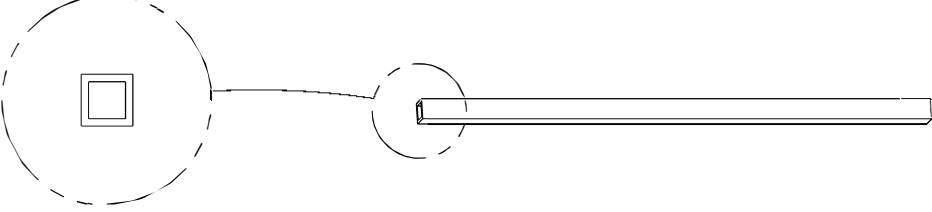
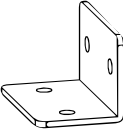
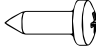

Manual  
for  
Fencing Set  
for  
BBQ Pergola San Juan

# Bar counter fence

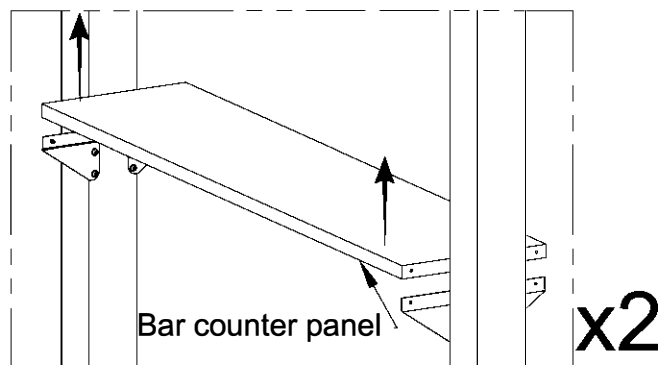
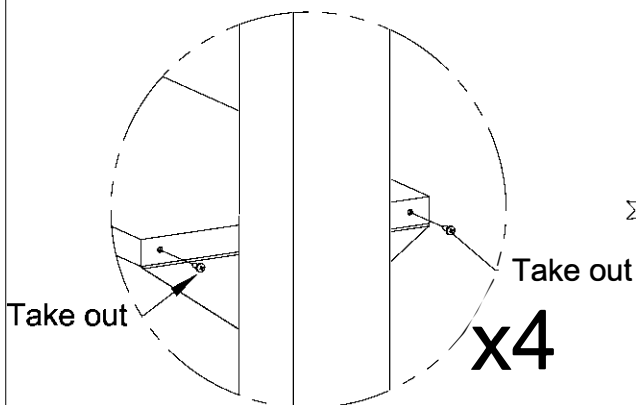
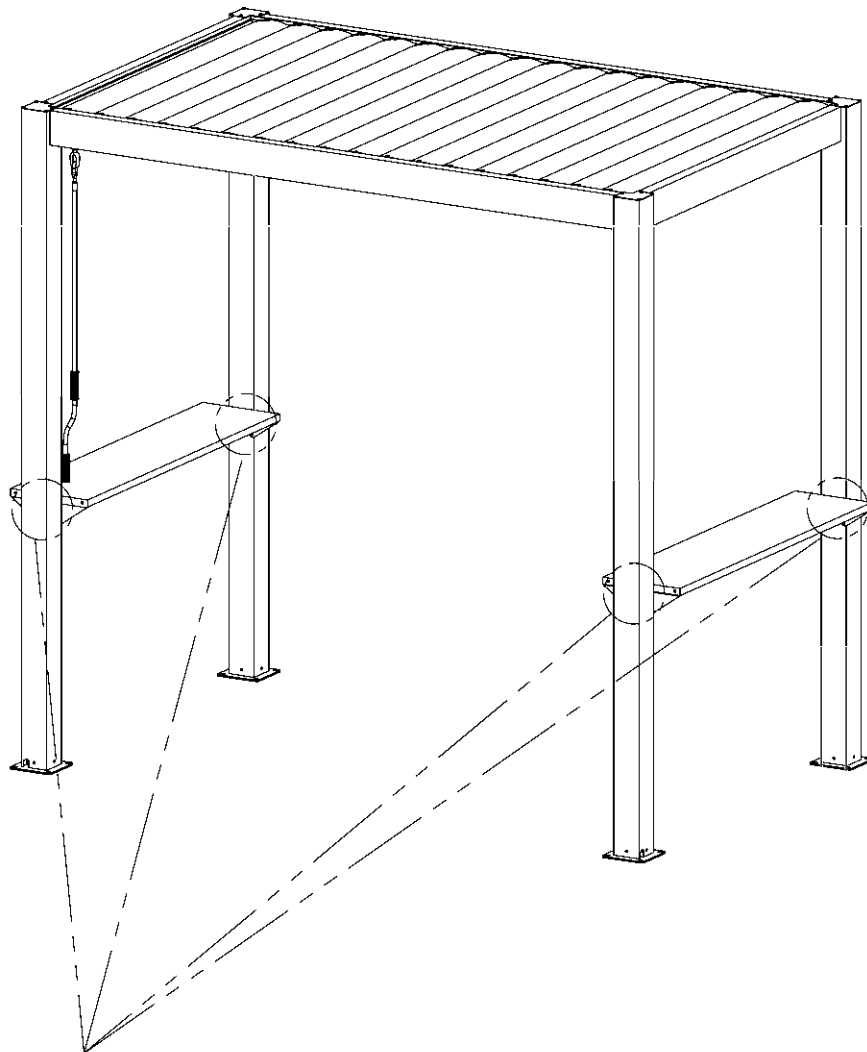
## User's Manual



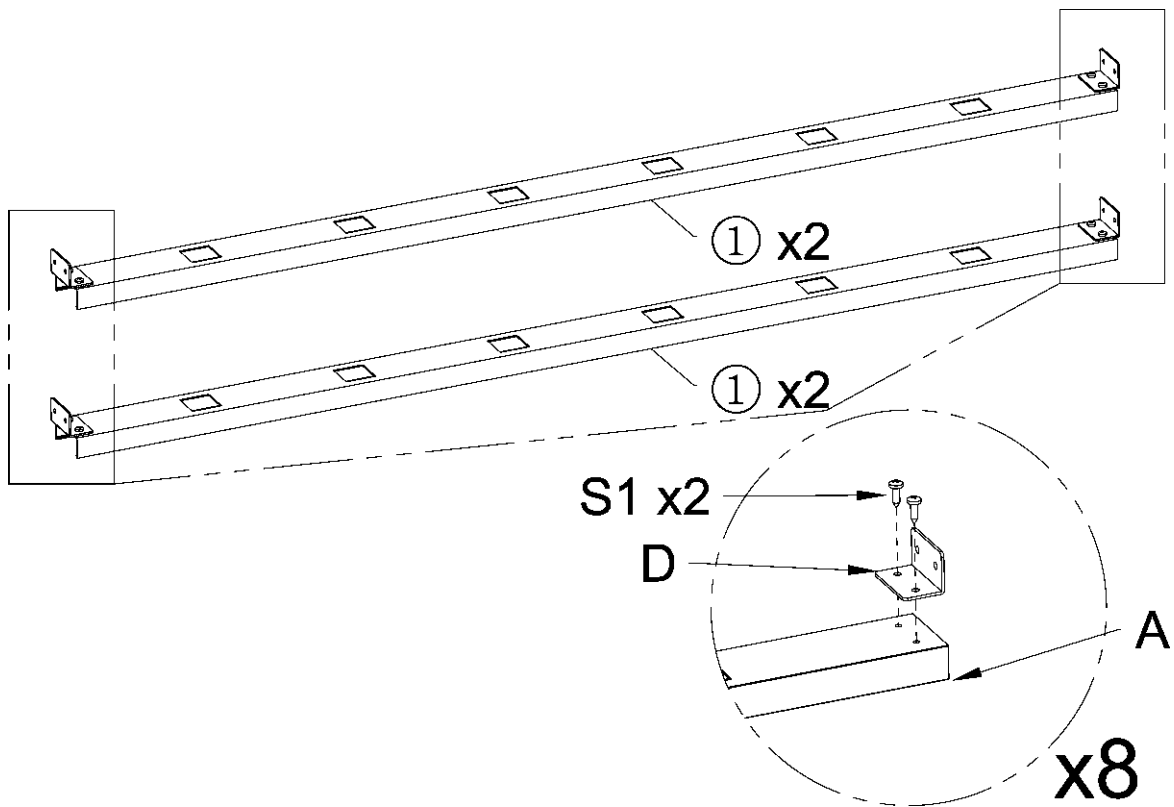
# Part List

REF	PHOTO	QTY
A		4
B		4
C		12
D		8
S1	 ST4.8*16	16
S2	 C-ST4.2*25	16

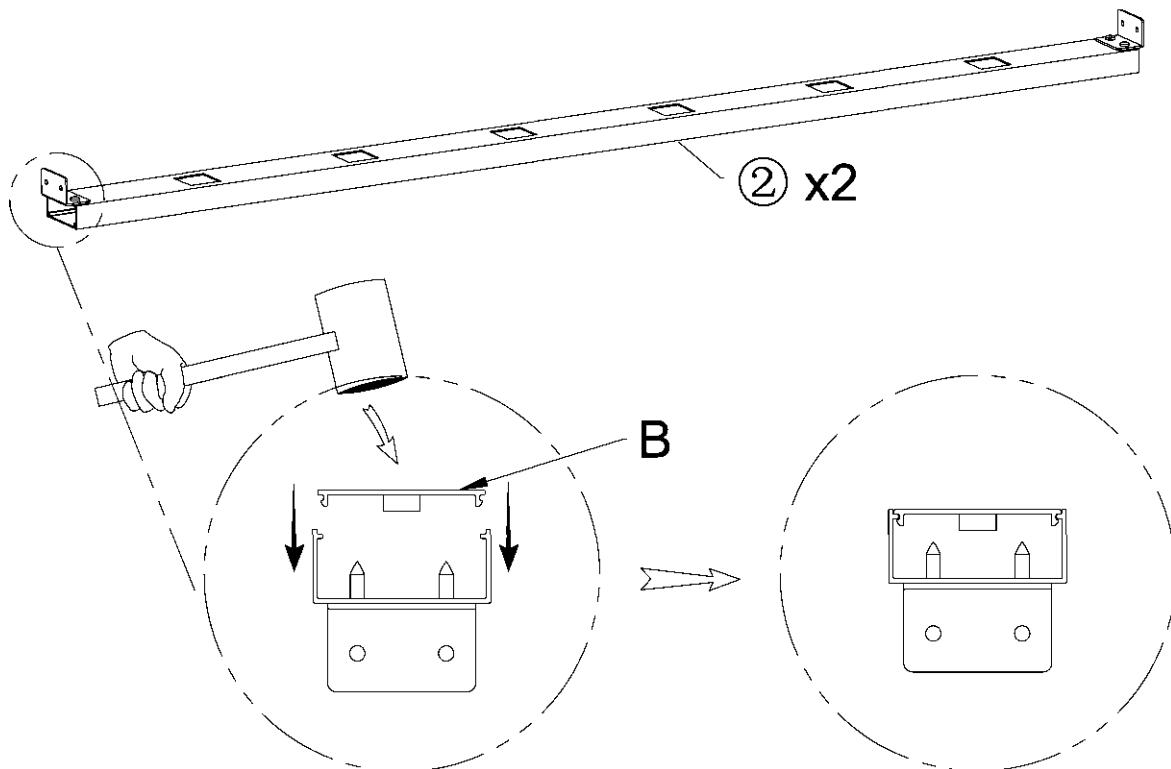
# 1 . Remove the bar counter panel



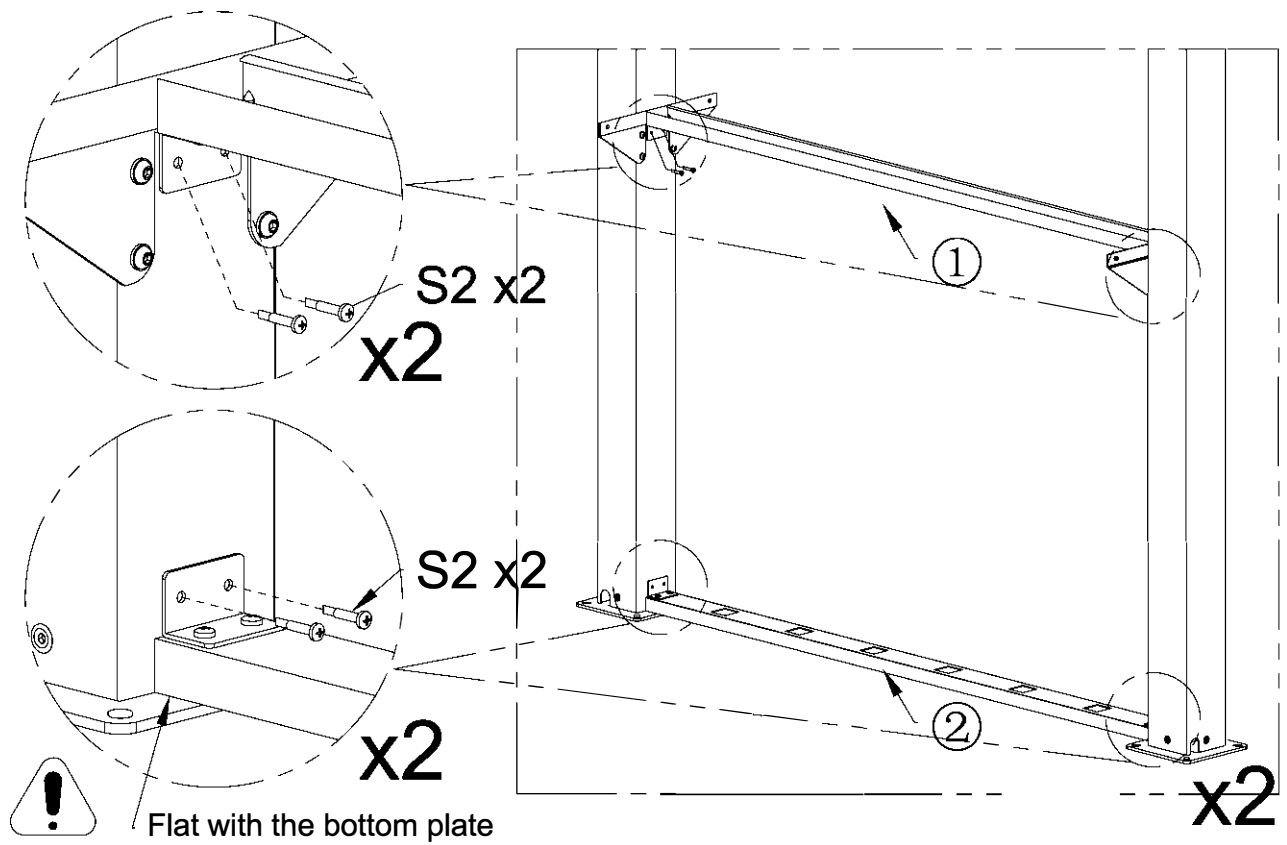
## 2. Install connecting plate



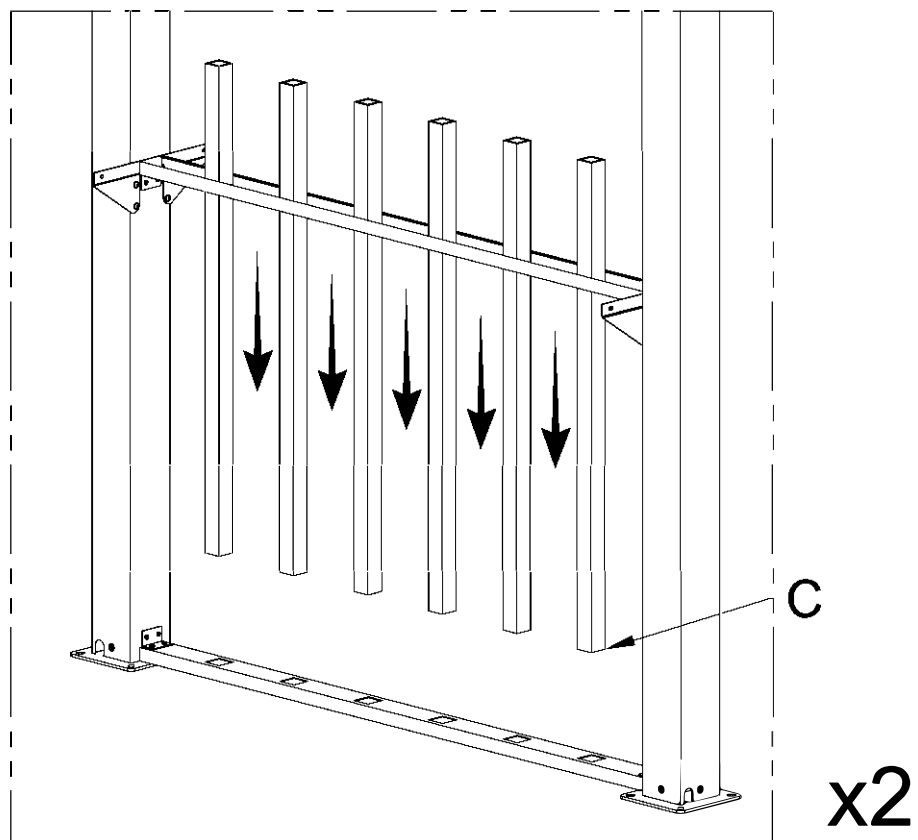
## 3. Assemble a set of lower beams



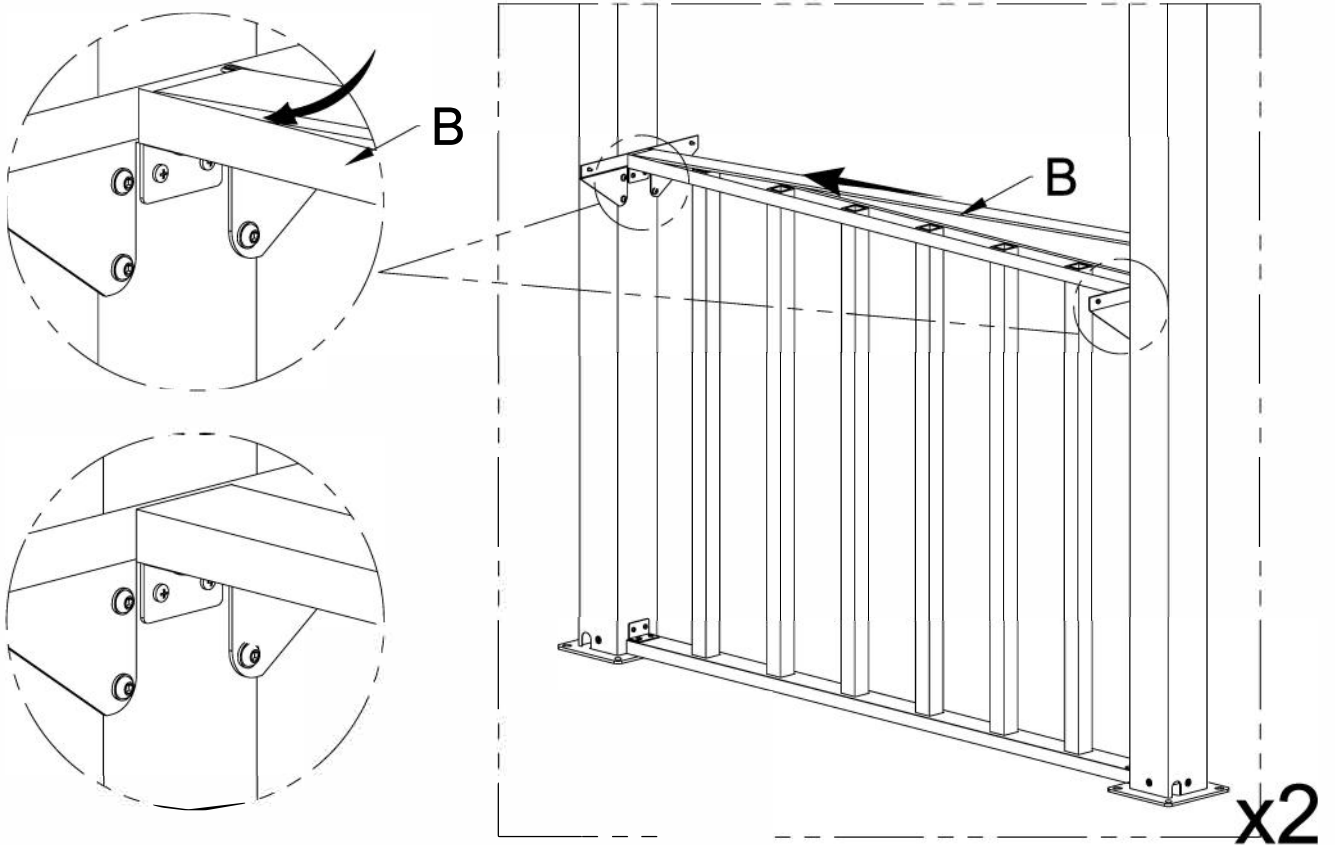
#### 4. Install connecting plate



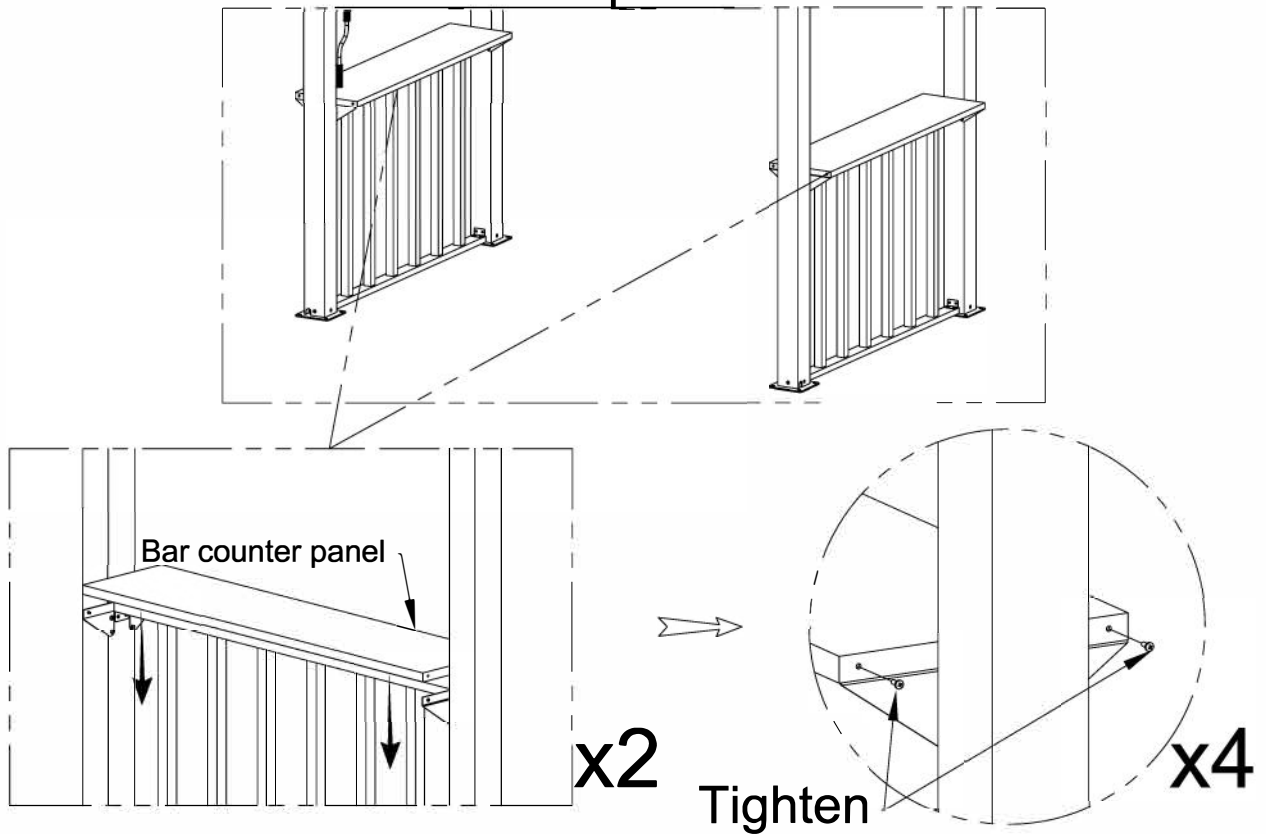
#### 5. Insert the square tube from top to bottom



## 6. Install connecting plate



## 7. Restore the bar counter panel



## Contact information

Austria



Belgium



Croatia



Denmark



Estonia



Finland



France



Germany



Ireland



Italy



Latvia



Lithuania



Nederland



Norway



Poland



Portugal



Spain



Sweden



Switzerland



UK

