

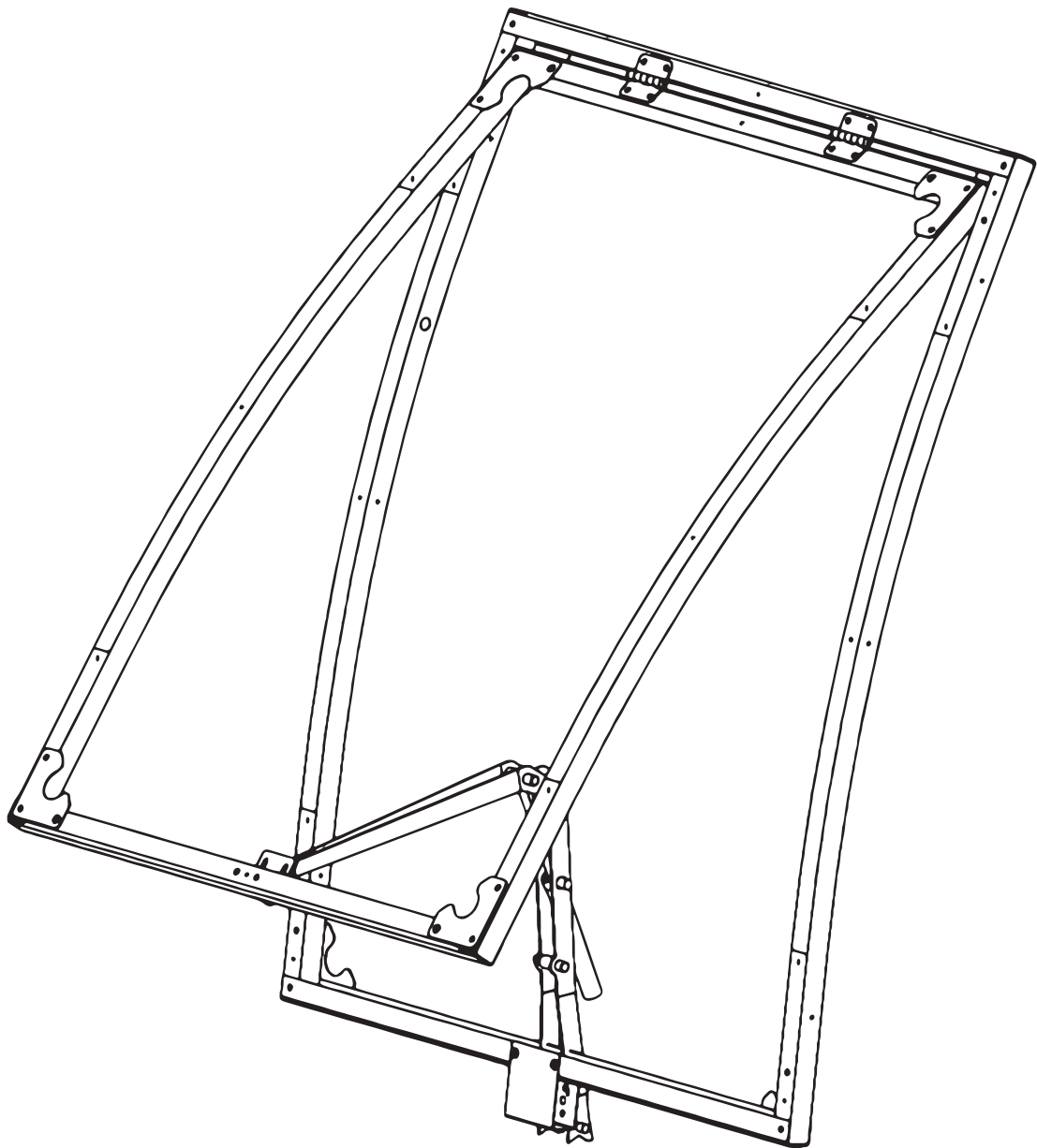
DANCOVER[®]

.com

Manual
for
Ventilation Window
for
Greenhouse Strong NOVA

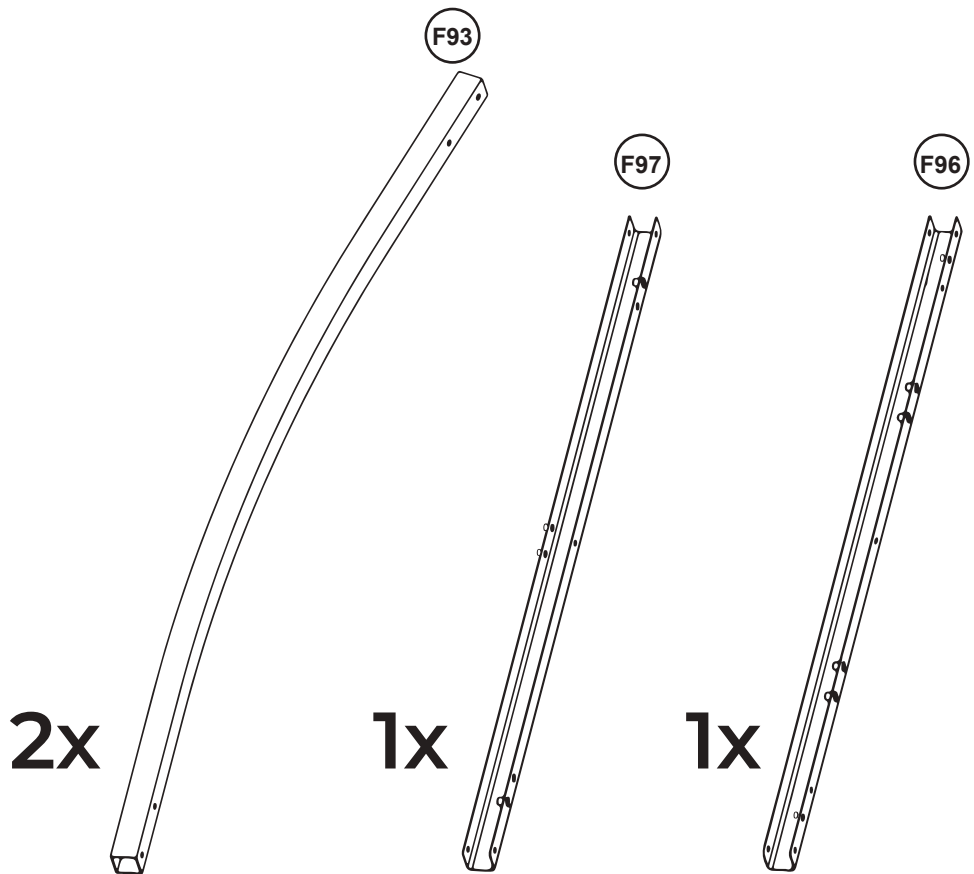
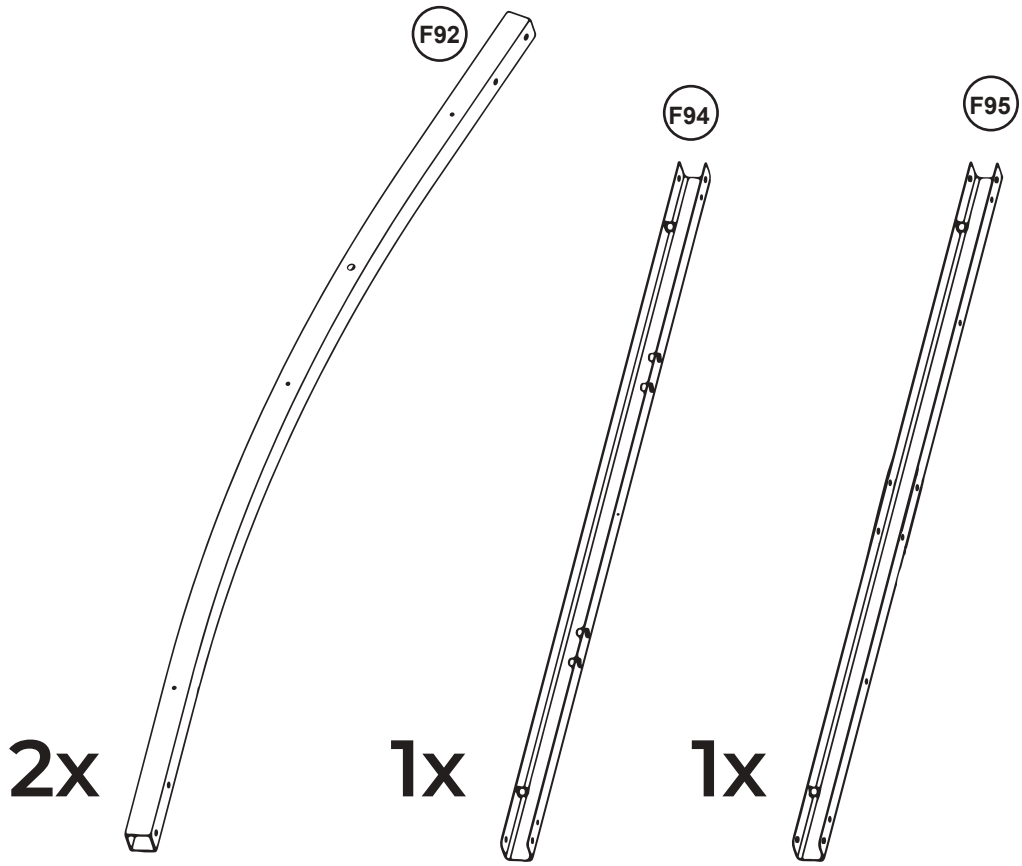
VENTILATION WINDOW

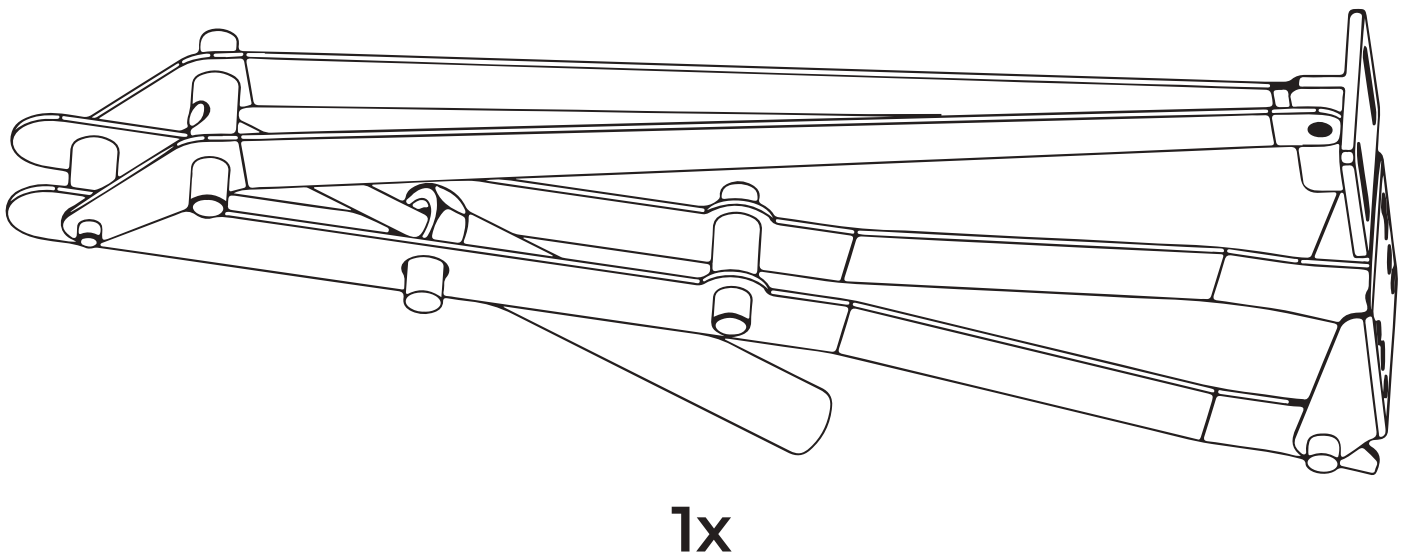
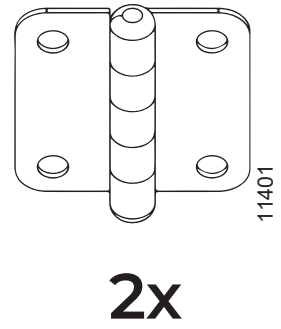
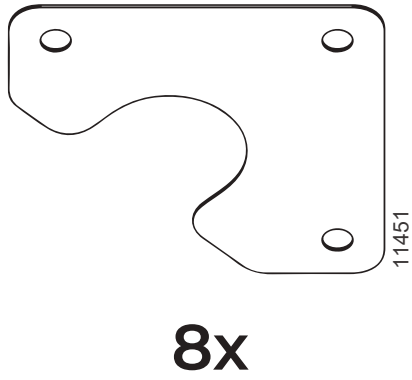
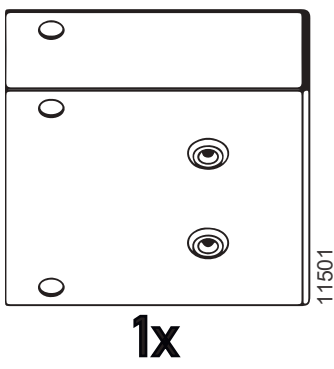
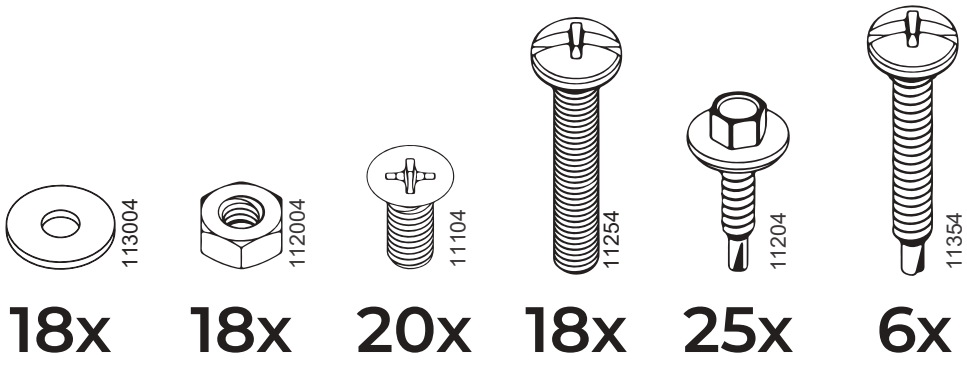
with automatic ventilation system



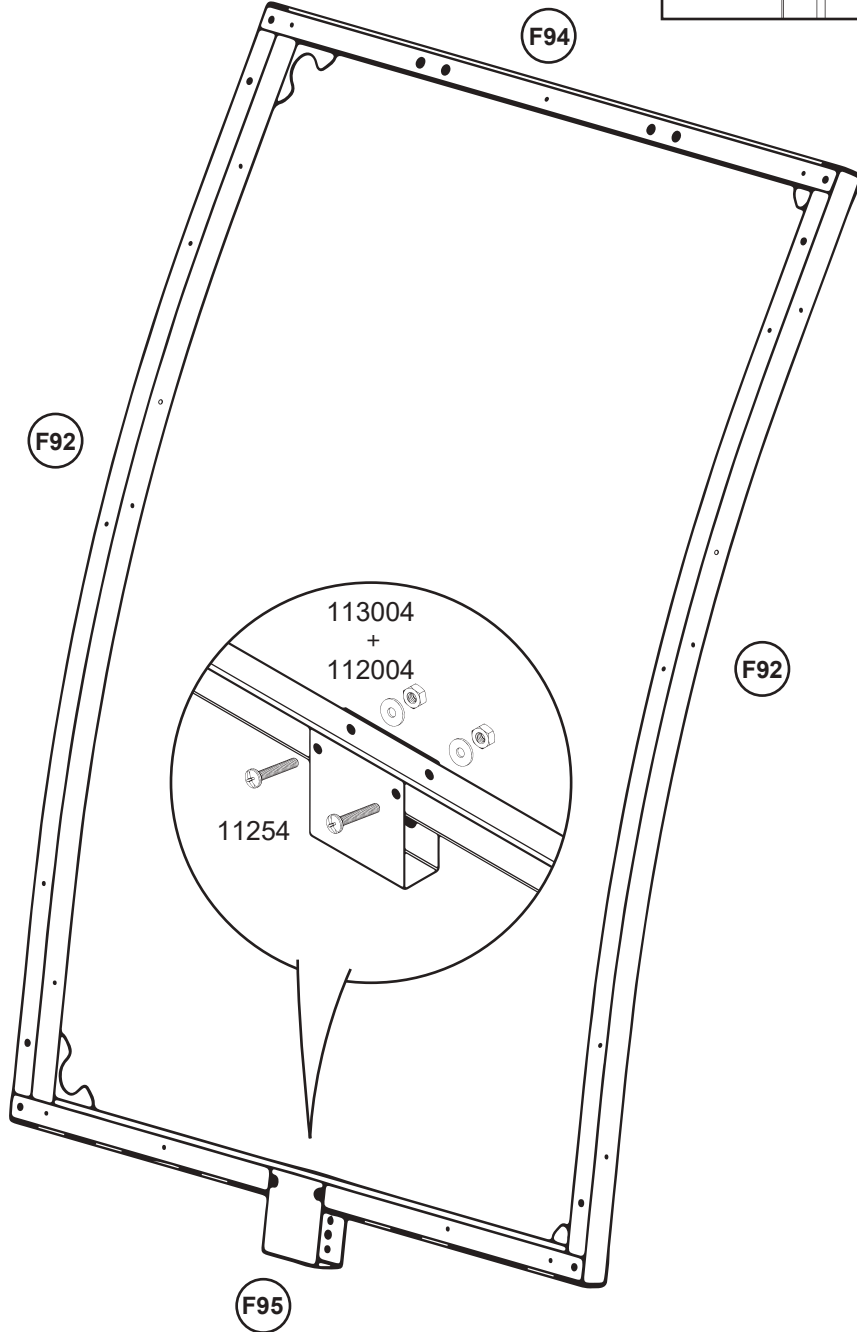
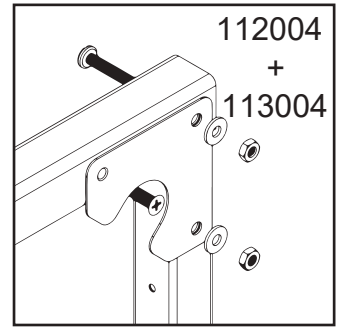
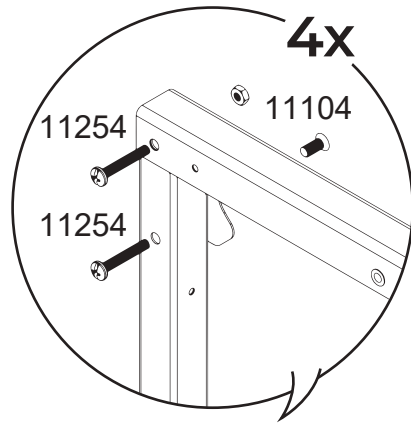
The vent for the greenhouse Strong NOVA is designed to the Greenhouse ventilation and is installed in the roof of the greenhouse with self-tapping screws with a press washer and a rubber seal. Covered with cellular polycarbonate.

The vent is made of 20x20mm steel profile pipe. Includes a screw to fix the inside of the closed position, as well as self-tapping screws for mounting.

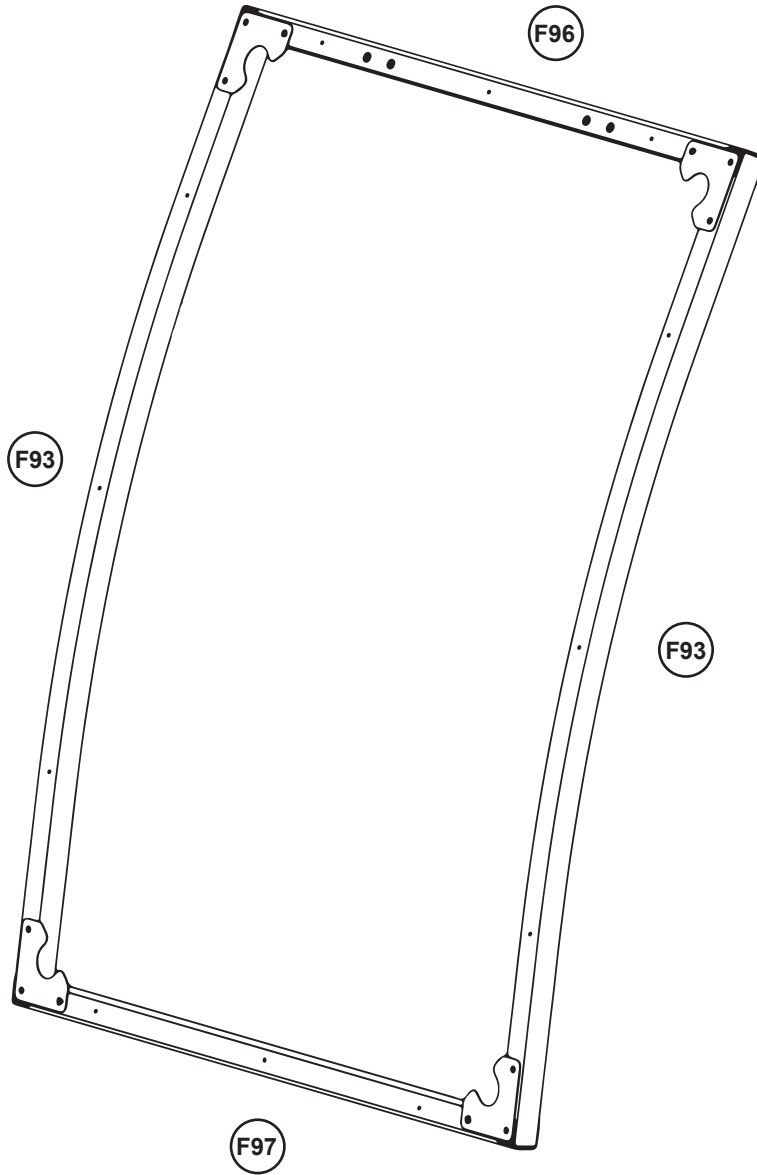
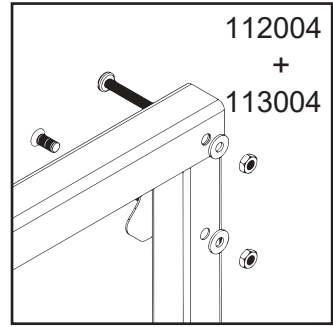
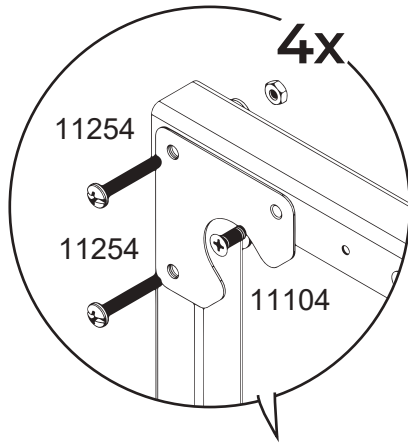




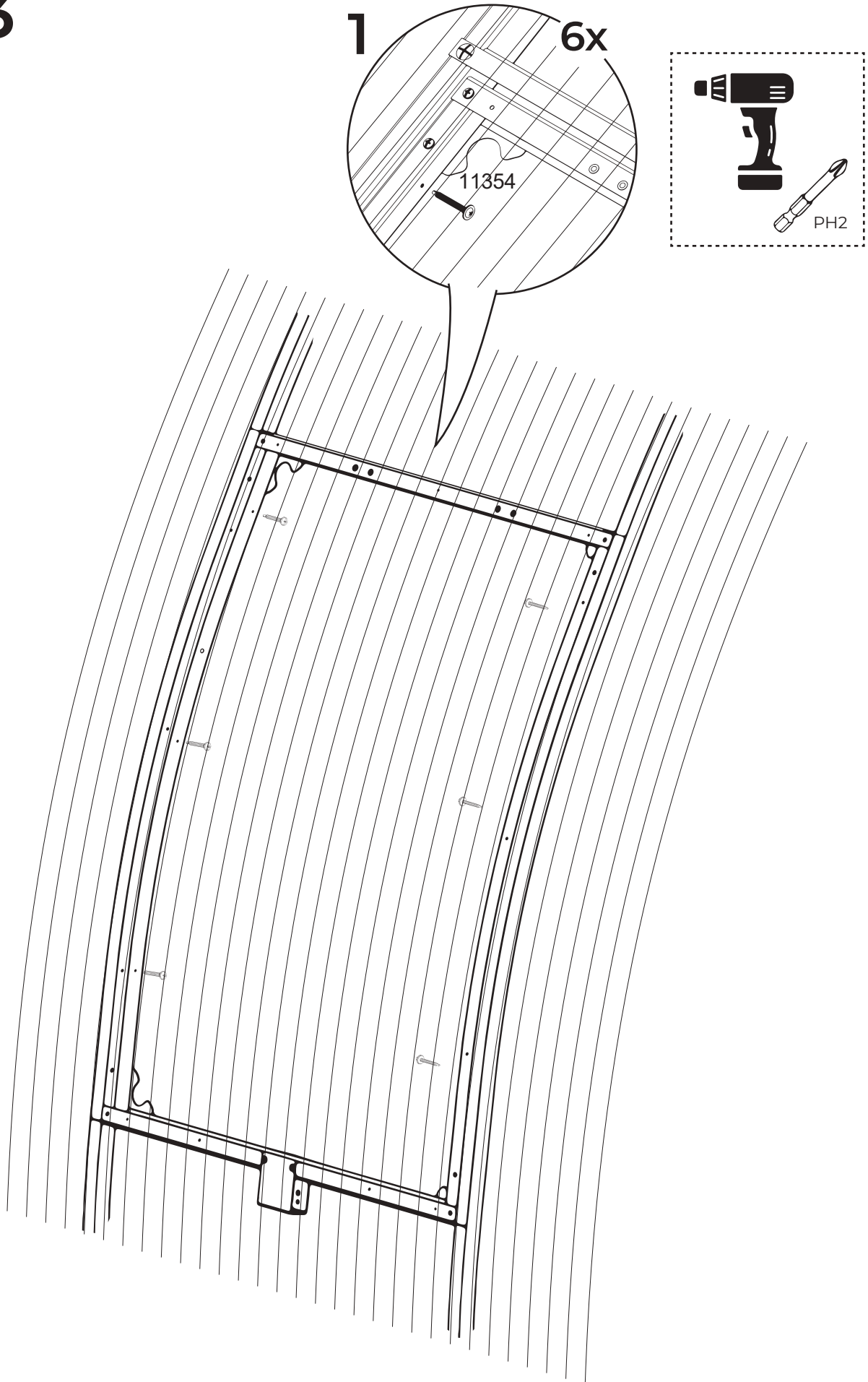
1



2

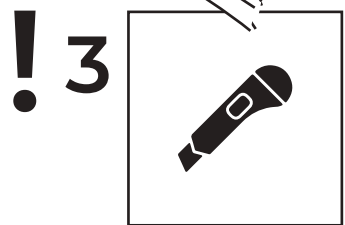
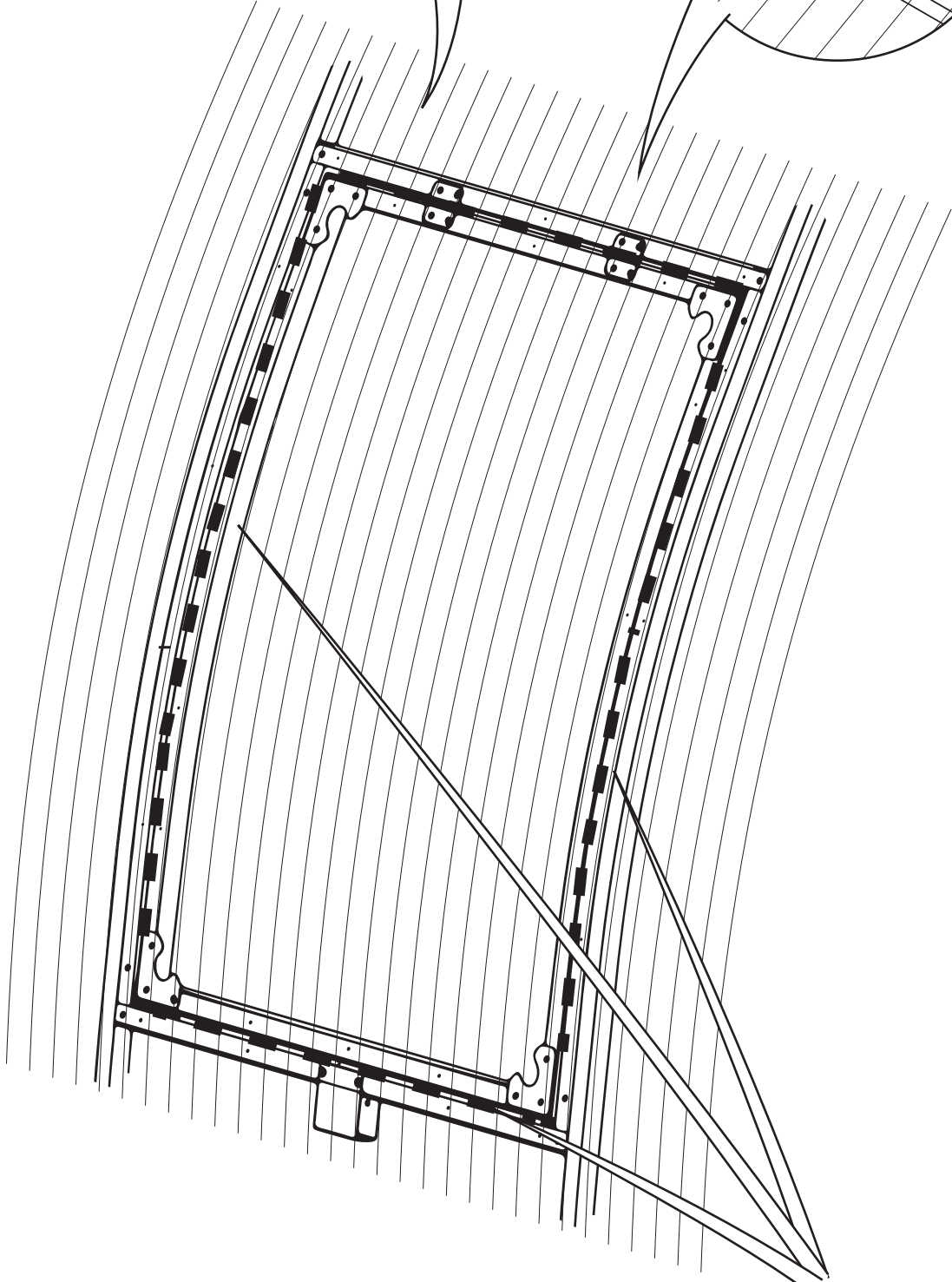
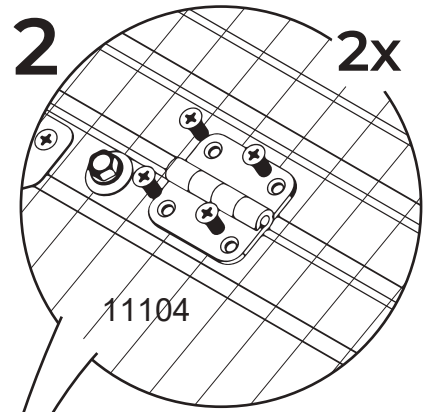
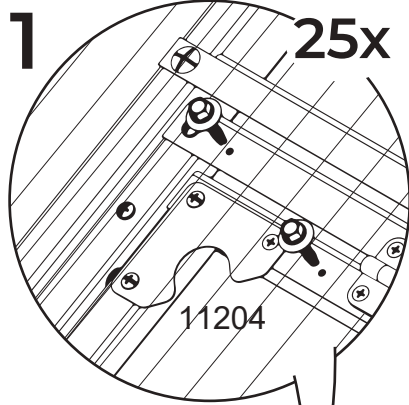


3

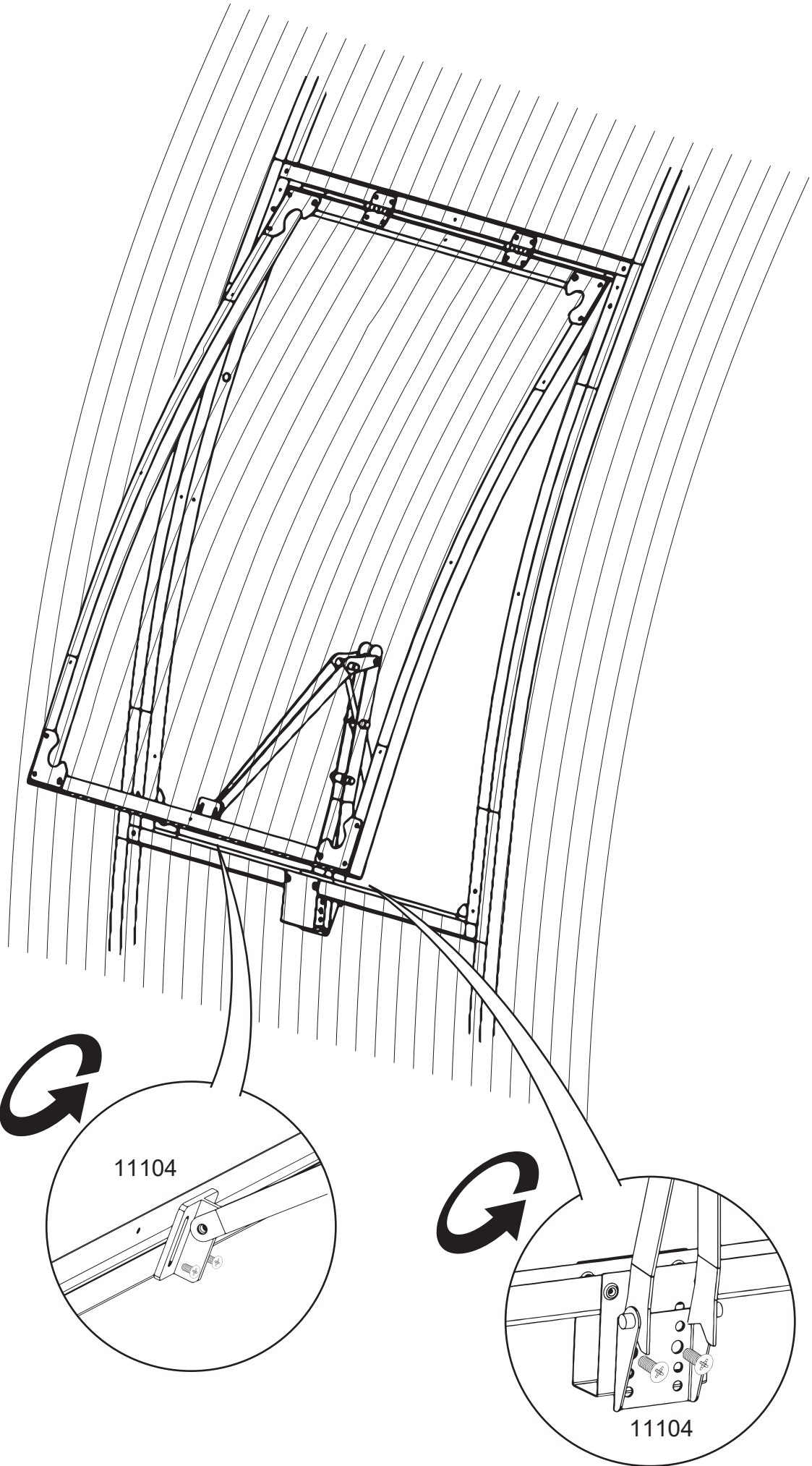


The window frame is mounted from the inside of the greenhouse and the hinges are screwed on from the outside.

4



5



Contact information

Austria



Belgium



Croatia



Denmark



Estonia



Finland



France



Germany



Ireland



Italy



Latvia



Lithuania



Nederland



Norway



Poland



Portugal



Spain



Sweden



Switzerland



UK

