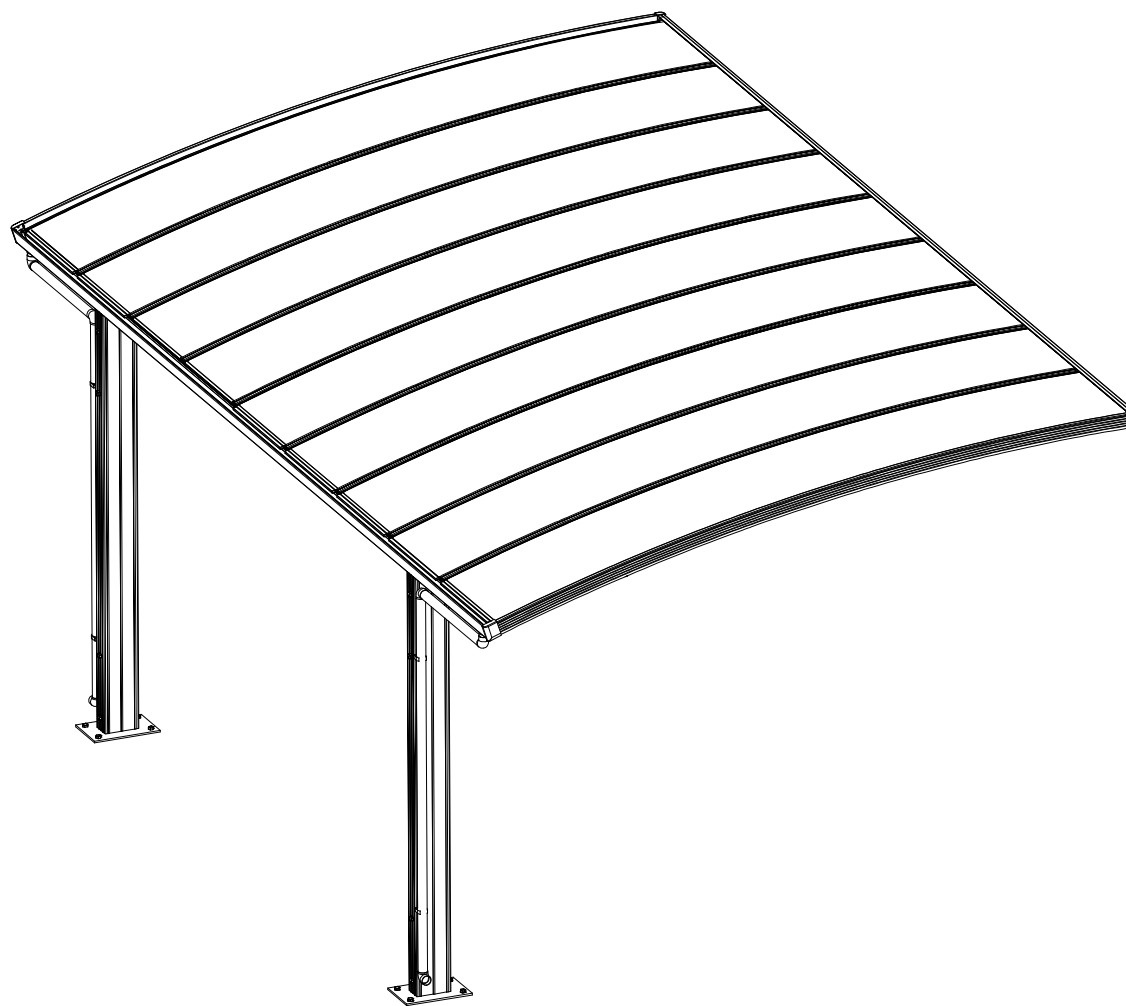


DANCOVER[®]



Manual
for
Carport Boston
3x5x2,4m

Single Carport Assembly Instructions



Product Size(LxWxH): 300x500x190/240cm

IMPORTANT

Please read the instructions carefully before you start to assemble this carport.

Please ensure that you find all parts in the carton in the correct type and quantity as mentioned in the illustrated content list.

Please carry out the steps in the order set out in the instructions.

Tighten all screws and parts, after completed the assembly of the polycarbonate panels.

Keep the instructions in a safe place for future reference.

SAFETY ADVICE

- We strongly recommend the product to be assembled by at least two people.
- Do not attempt to assemble the carport in windy or wet conditions.
- Do not position your carport in an area exposed to excessive wind.
- Identify any possible hazards including underground and overhead power cables and underground water pipes etc.
- Always wear gloves, safety goggles, long sleeves and shoes when assembling or performing any maintenance on your product.
- Some parts may have sharp edges. Please be careful when handling components.
- When using a stepladder or power tools, make sure you follow the manufacturer's safety advice.
- Dispose of all plastic bags safety-keep them out of reach of children.
- Keep children away from the assembly area.
- Do not attempt to assembly the carport if you are tired, have taken drugs or alcohol or if you are prone to dizzy spells.
- Do not climb or stand on the roof, to avoid falling down.
- Heavy snow load on roof will damage the product and making it unsafe to stand below or nearby. Please clean up the roof snow in time.




CLEANING & MAINTENANCE




- When your carport needs cleaning, use a mild detergent solution and rinse with clean water.
- Do not use acetone, abrasive cleaners or other special detergents to clean the panels.
- Keep roof and gutter clear of snow, dirt and leaves.
- Hot items such as recently used grills, blowtorches etc, must not be stores in the carport.
- Heavy articles should not be leaned against the poles.
- Do not hang or lay on the profiles.
- Put small component parts (screws etc) in a box, so they will not missing.
Some parts maybe surplus after assembly, it is recommended to keep them in a safe place for future use.






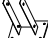


BEFORE ASSEMBLY

- Choose the site carefully before assembly, an unobstructed place, sheltered from strong winds is the best.
- Site surface needs to be flat and leveled.
- This carport should be assembled on a solid foundation (such as concrete or asphalt) and anchored to the ground.
- Make sure the wall you selected is strong enough for installation, a brick concrete structures is the best choice.
- Sort the parts and check according to the contents parts list.
- Please consult your local authorities if any permits are required prior to constructing the product.


Part List


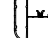


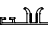



PART	#	mm	Qty.
	J01		6
	J02		2
	J03		4
	J04		2
	J20		115M
	Q01	M10*17	32
	Q02	M12*18*10.5	8

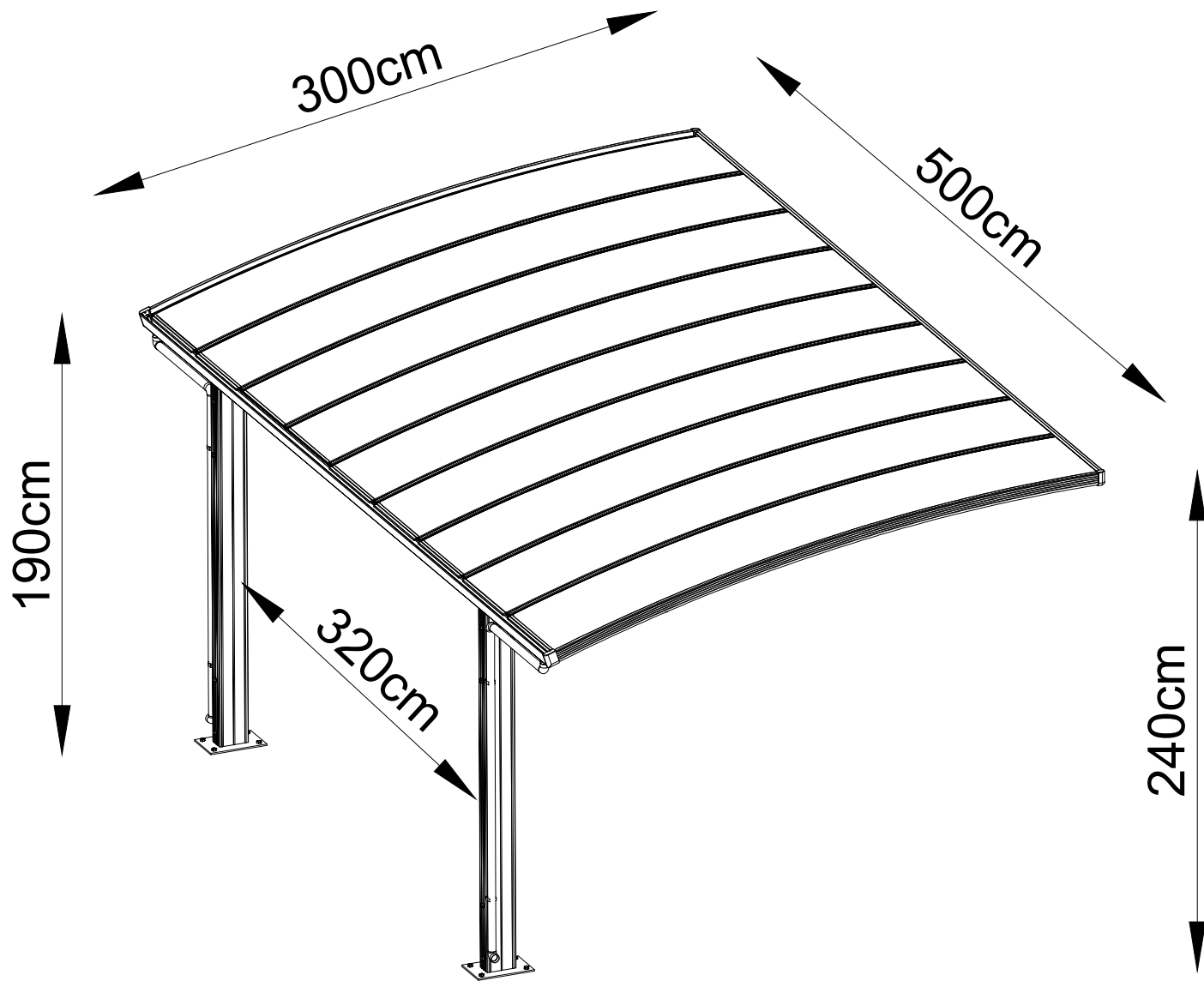
PART	#	mm	Qty.
	T01	Ø30	1
	T02	14-17#	1
	T03	8#	1

PART	#	mm	Qty.
	W01L		1
	W01R		1
	W02L		1
	W02R		1
	W03		2
	W05	200*300*407	2
	W06	544*435*54	2
	W13	510*175*12	8

PART	#	mm	Qty.
	S01	M10*20	24
	M02	M12	16
	N01	Ø10*19*1	24
	N02	M12	8
	N03	Ø12*24*2	8
	Z01	Ø4*16	212
	Z02	Ø5*10	60
	Z03	Ø5*70	2
	Z04	Ø10*100	8

PART	#	mm	Qty.
	Y	3009*531	9

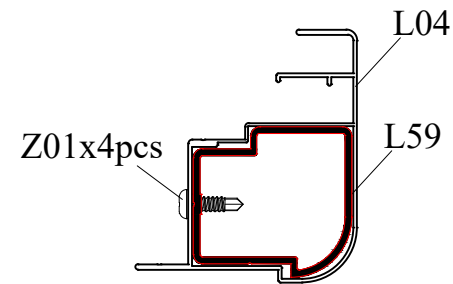
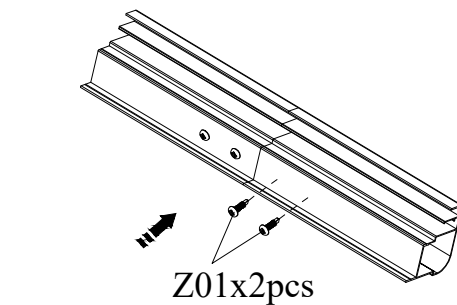
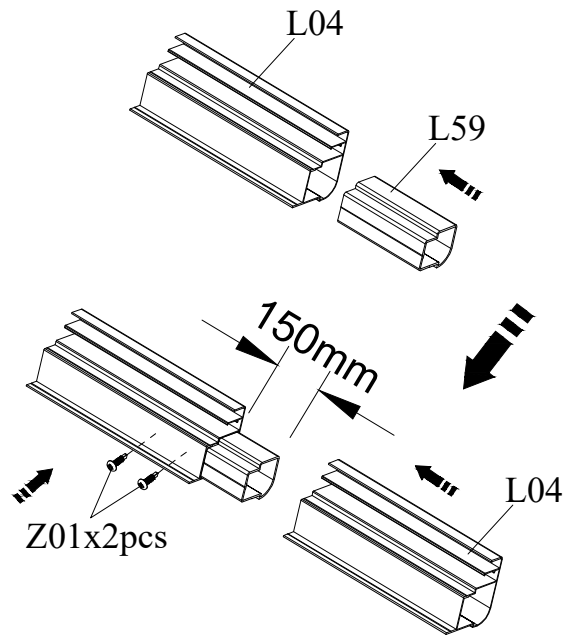
PART	#	mm	Qty.
	L01	1970	2
	L02	2883	2
	L03R	2475	1
	L03L	2475	1
	L04	2475	2
	L05	2955	2
	L06R	2475	4
	L06L	2475	4
	L07	2995	10
	L08	2975	8
	L09	495	9
	L10	2970	2
	L14	300	1
	L36	300	4
	L59	300	1



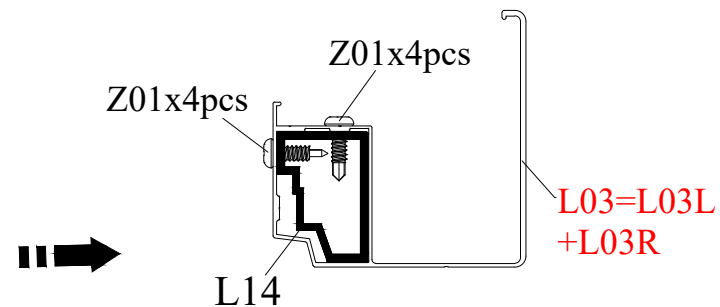
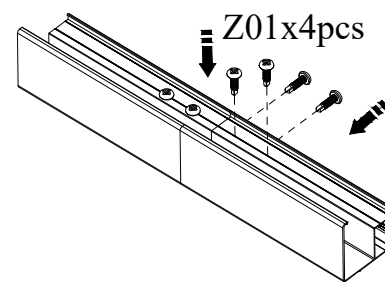
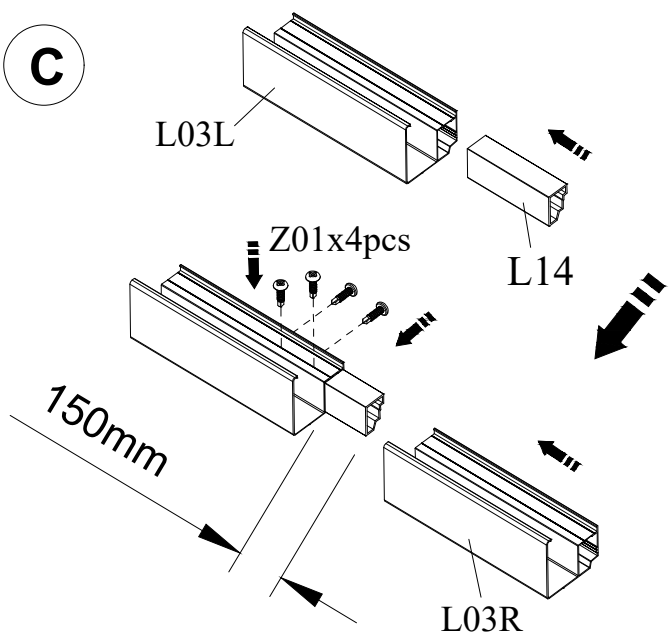
Make sure there is enough space to assemble the carport.

L03&L04 Assembly

B

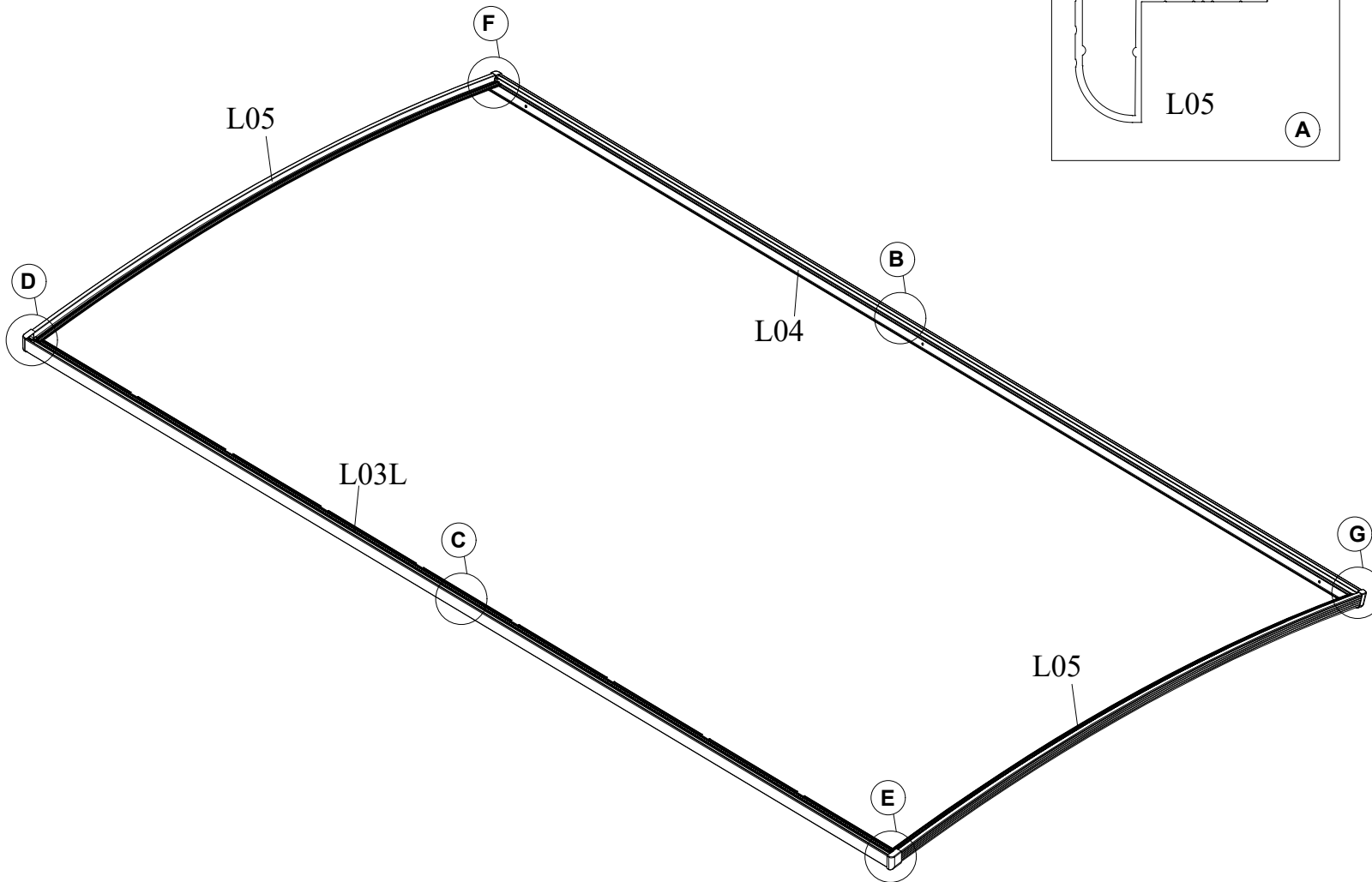









C

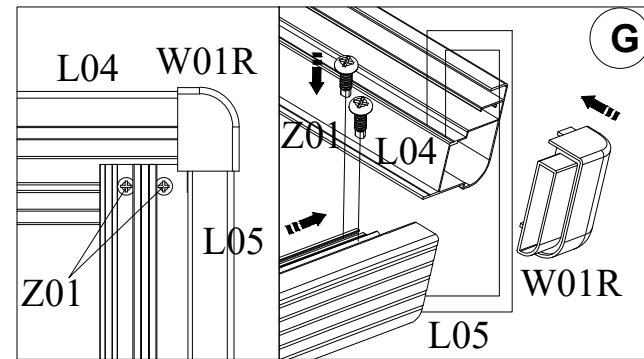
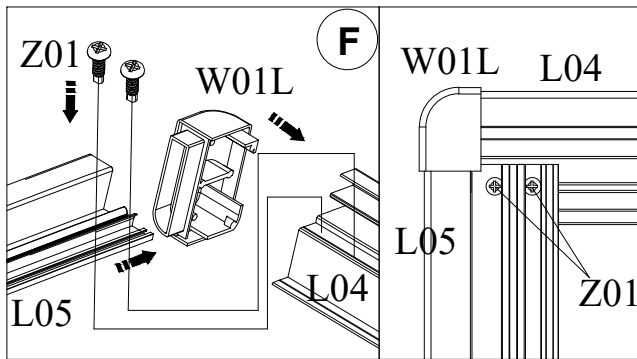
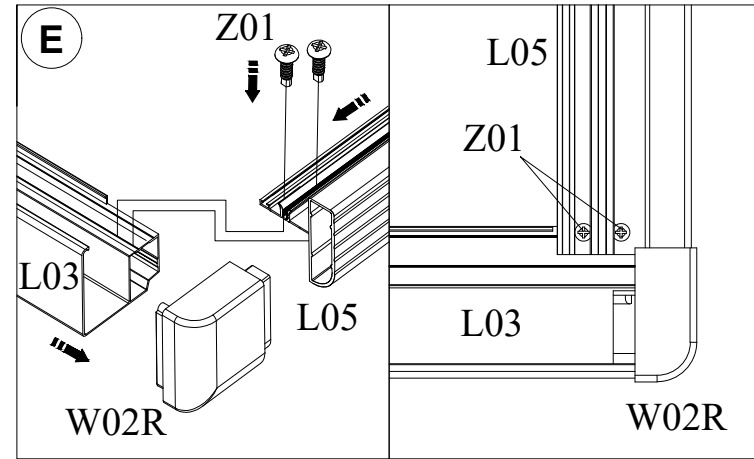
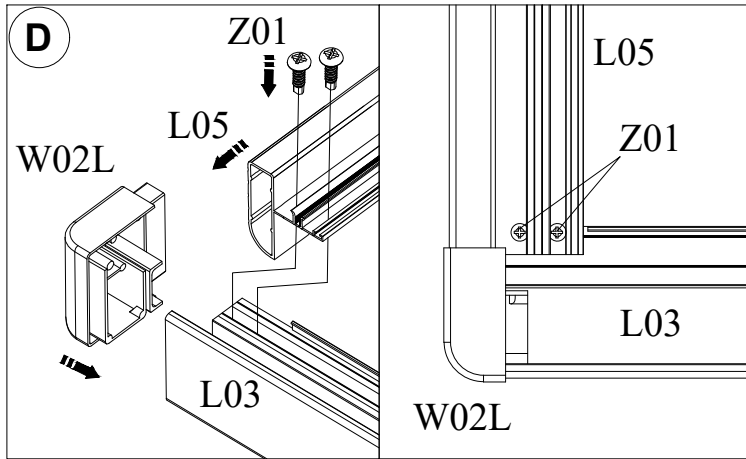


Screw S01 should keep away from installation position of L06.

PART	#	mm	Qty.
	L03R	2475	1
	L03L	2475	1
	L04	2475	2
	L14	300	1
	L59	300	1
	Z01	Ø4*16	12

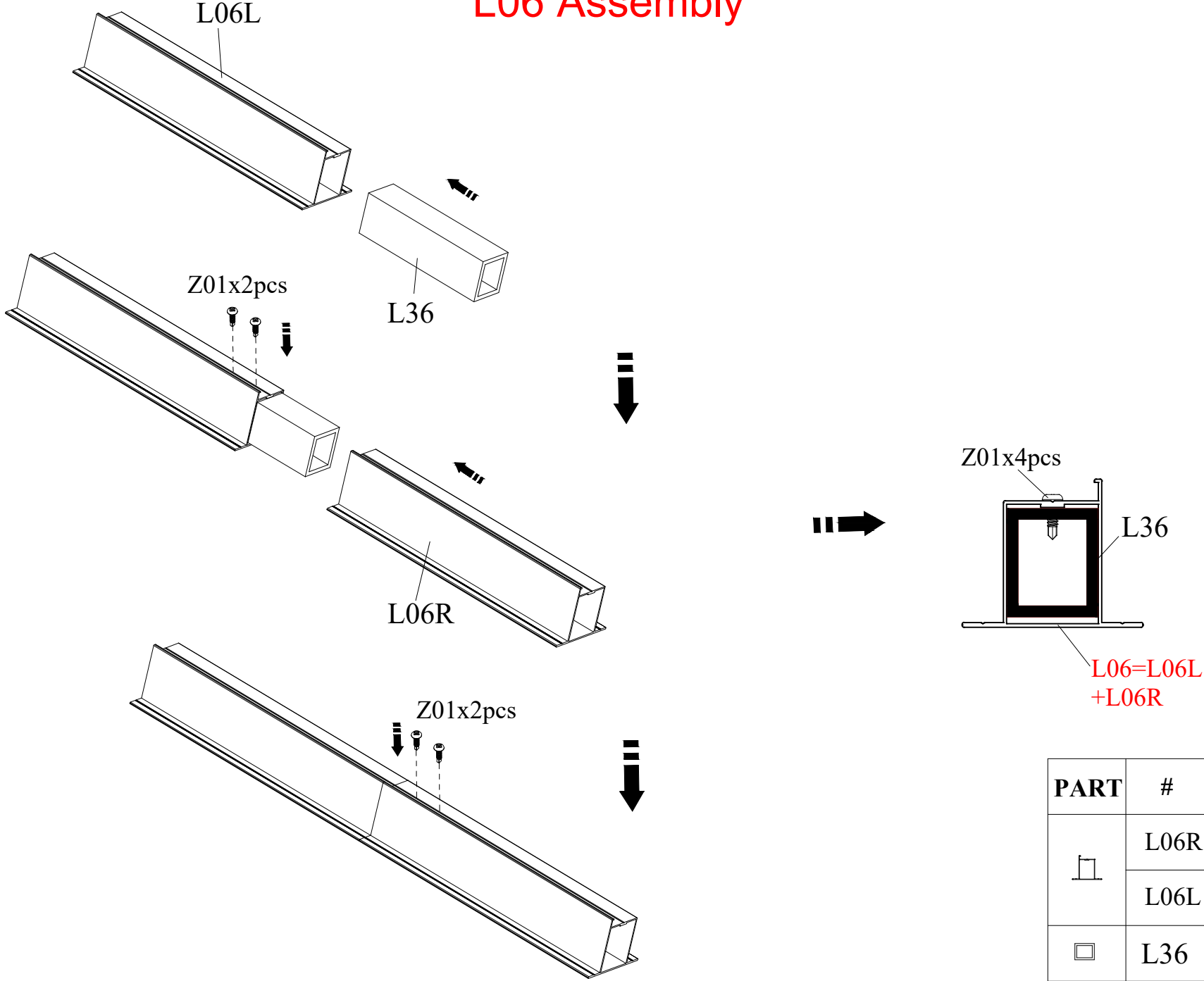





PART	#	mm	Qty.
	L05	2955	2
	W01L		1
	W01R		1
	W02L		1
	W02R		1
	Z01	Ø4*16	8
	J20		6M

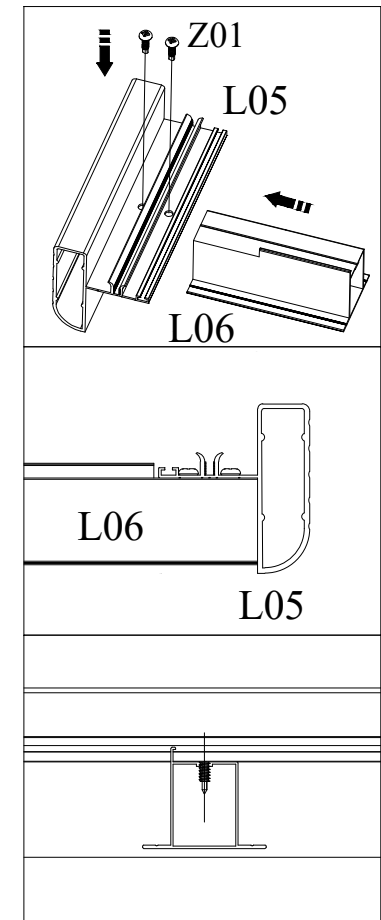
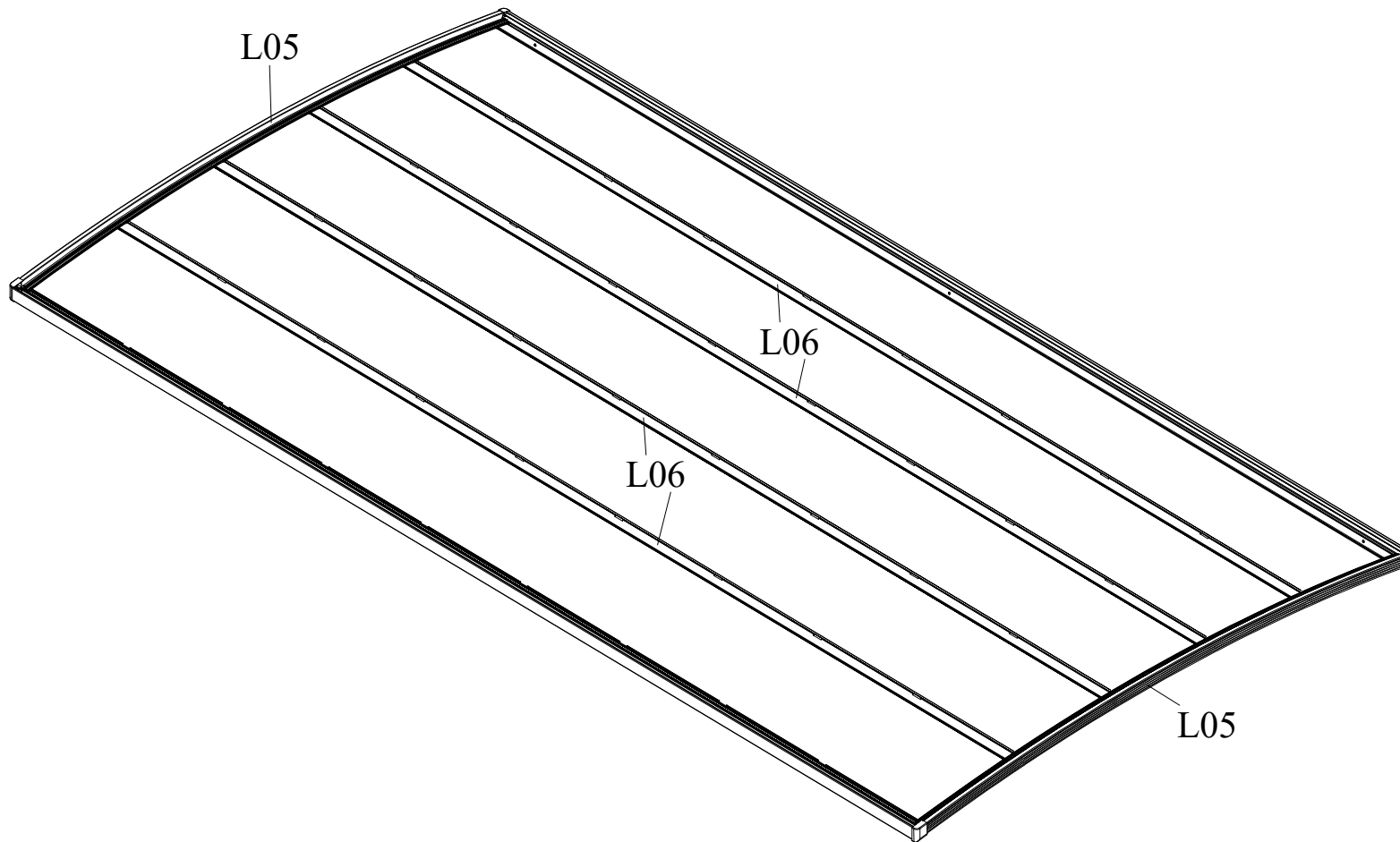



Notice:
 Fix W01L/R in the end of L05
 where with arrow sticker.

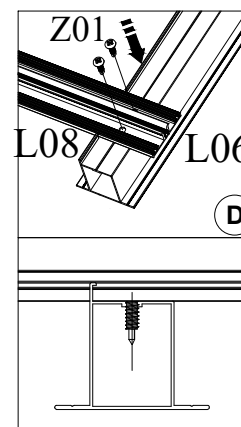
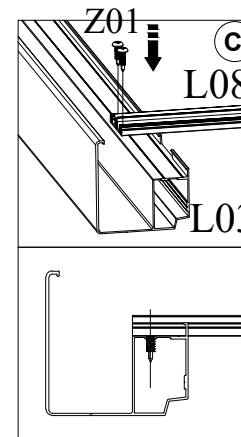
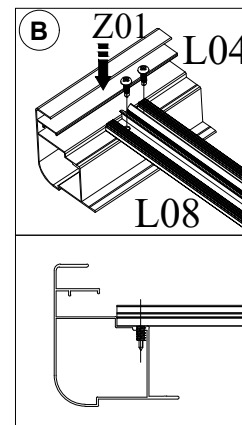
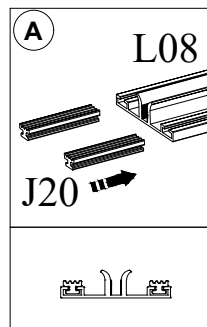
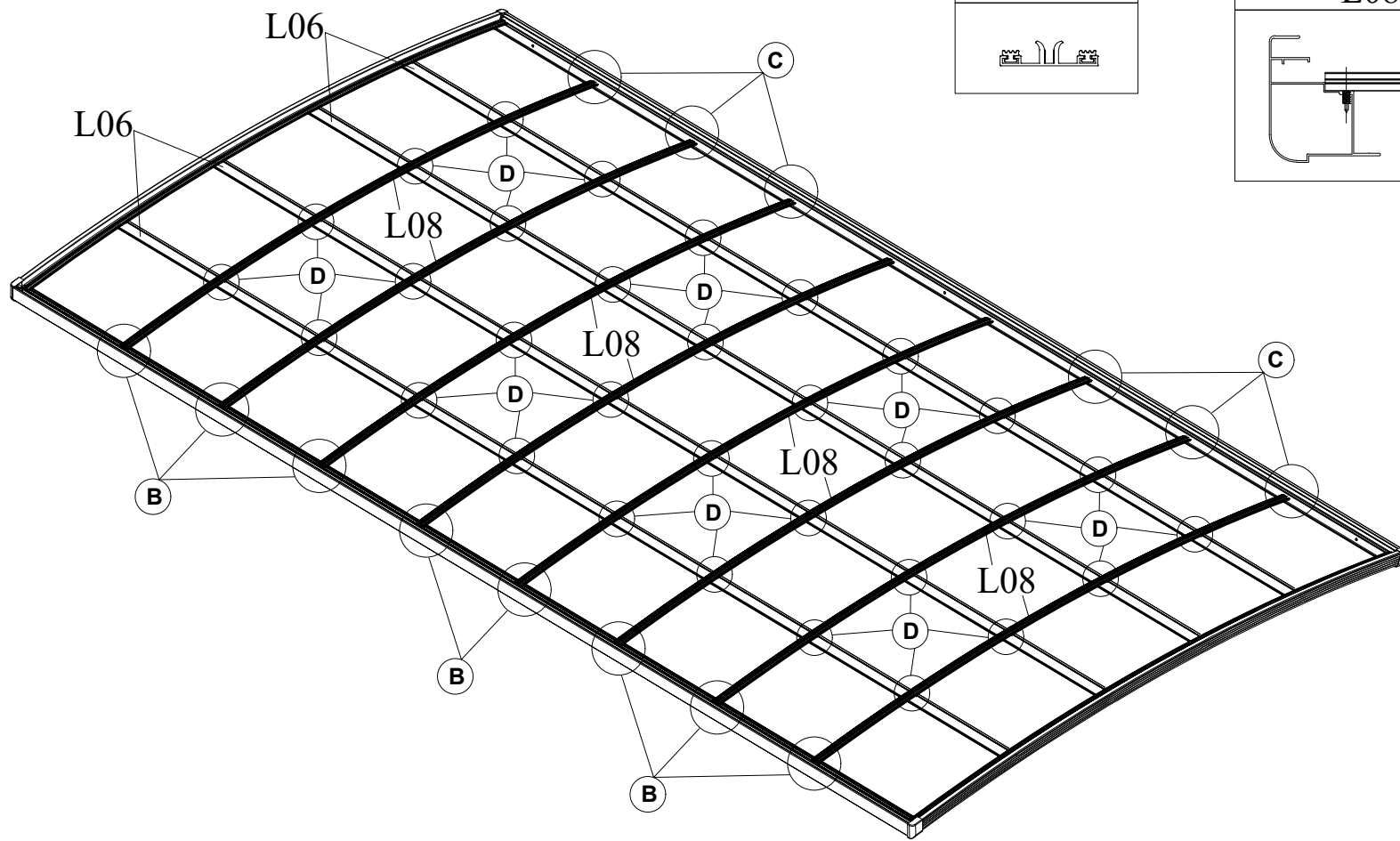
L06 Assembly

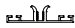
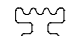



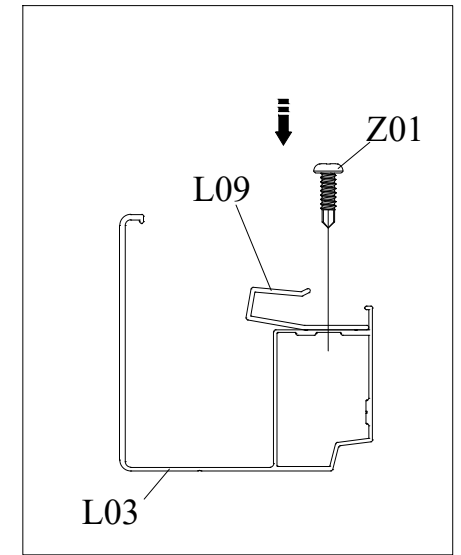
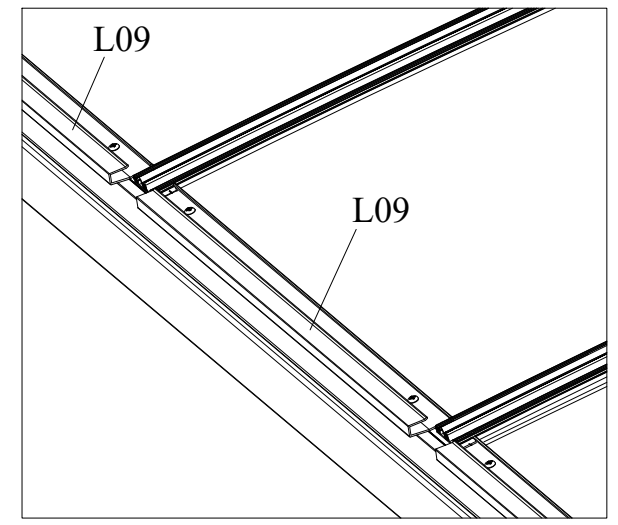
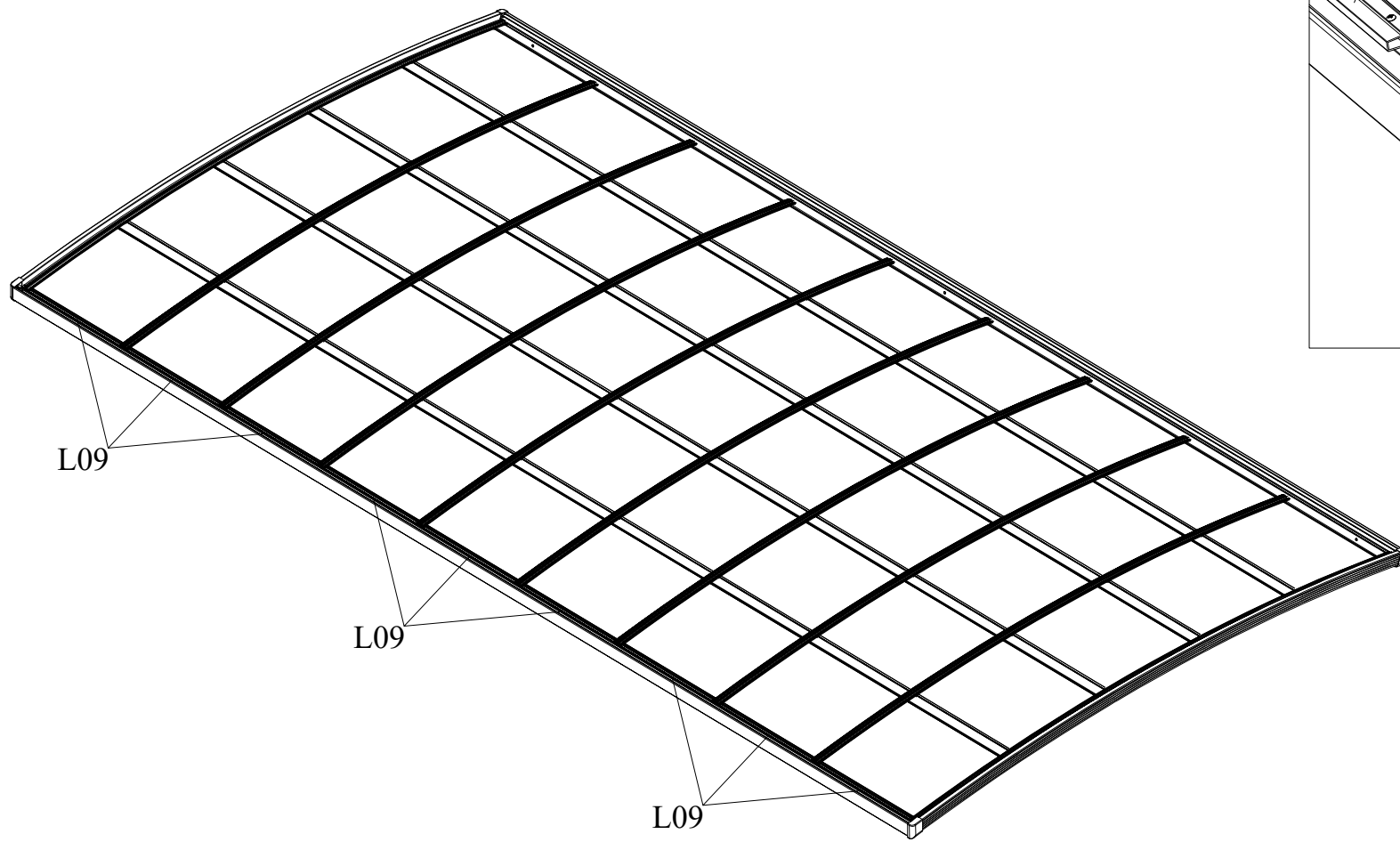
PART	#	mm	Qty.
	L06R	2475	4
	L06L	2475	4
	L36	300	4
	Z01	Ø4*16	16





PART	#	mm	Qty.
	Z01	Ø4*16	16

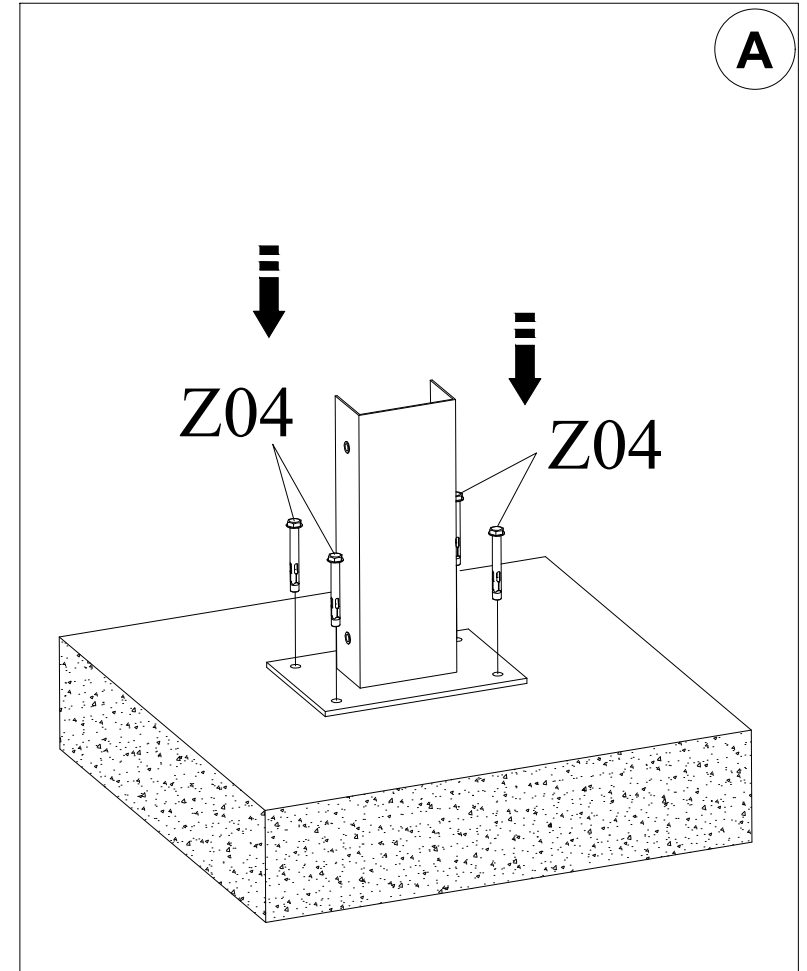
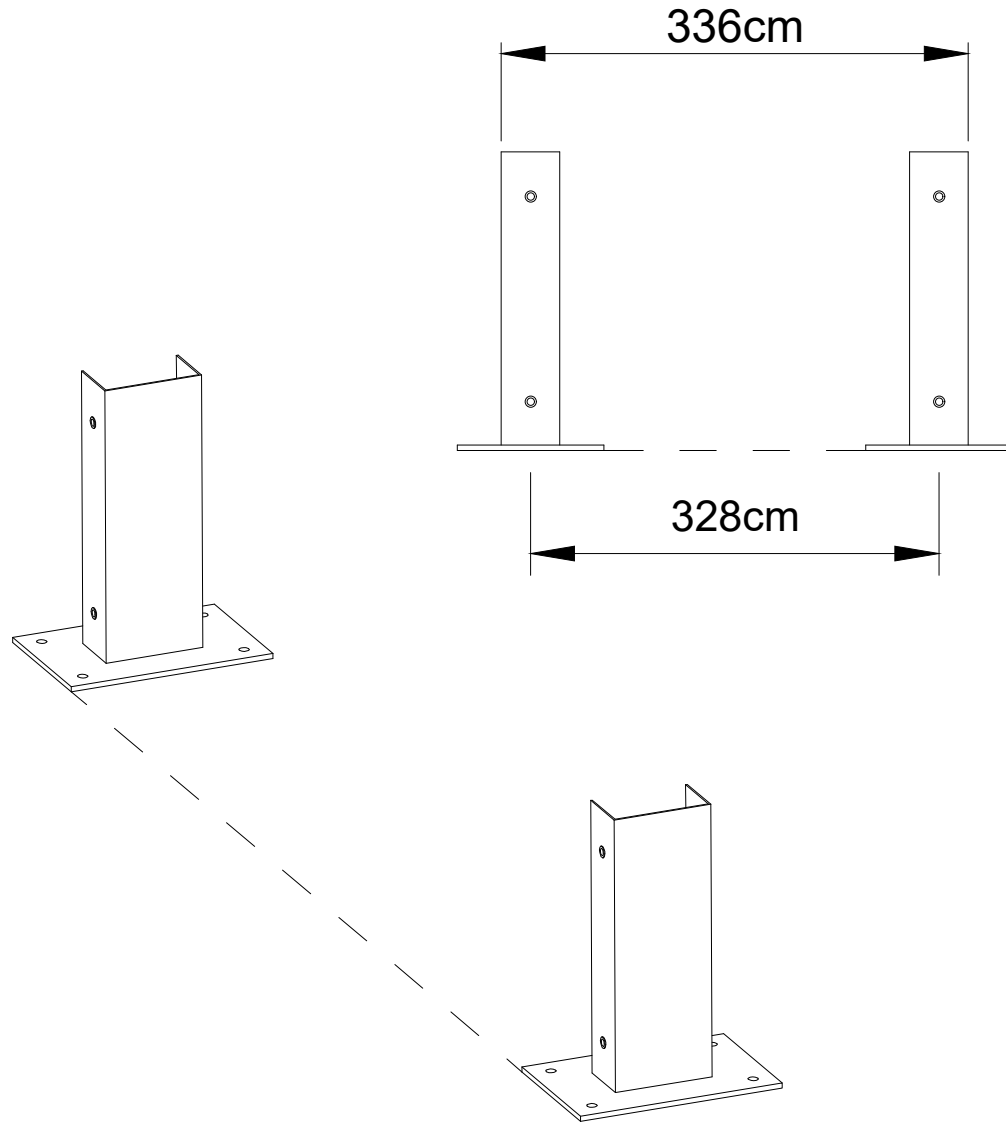




PART	#	mm	Qty.
	L08	2975	8
	J20		48M
	Z01	Ø4*16	96



PART	#	mm	Qty.
	L09	495	9
	Z01	Ø4*16	18

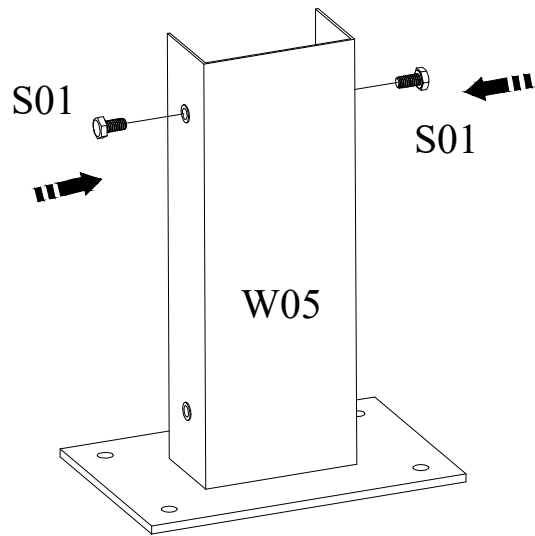
Post Assembly-method 1 (on firm concrete ground)



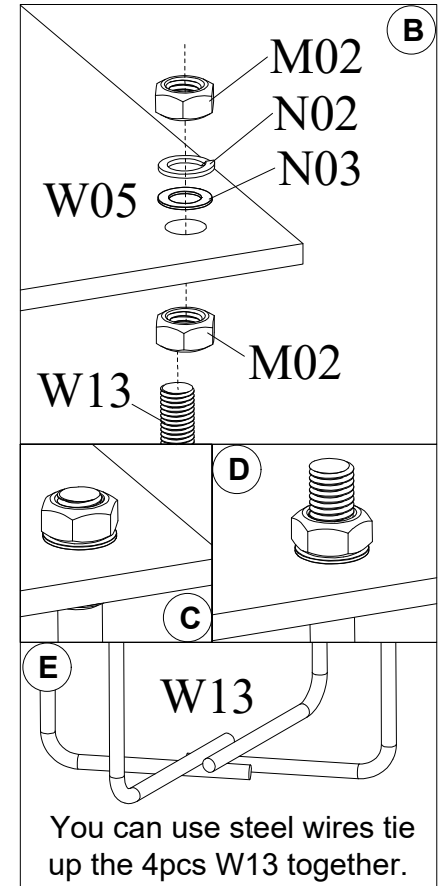
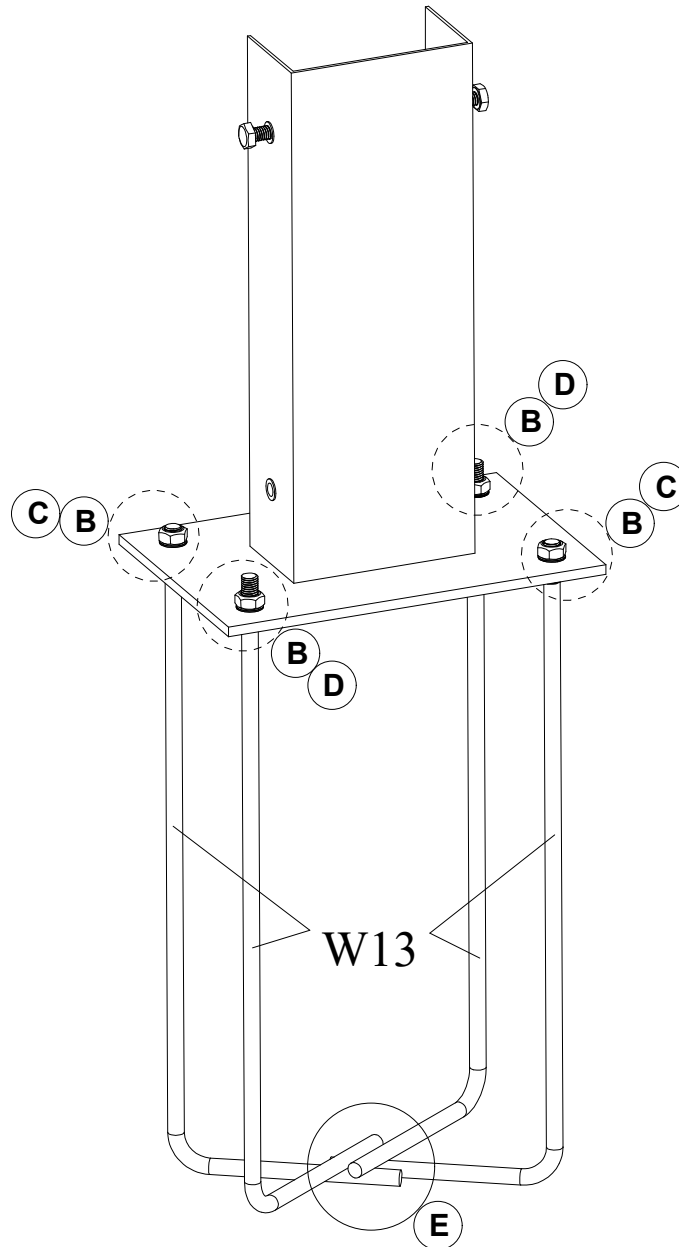
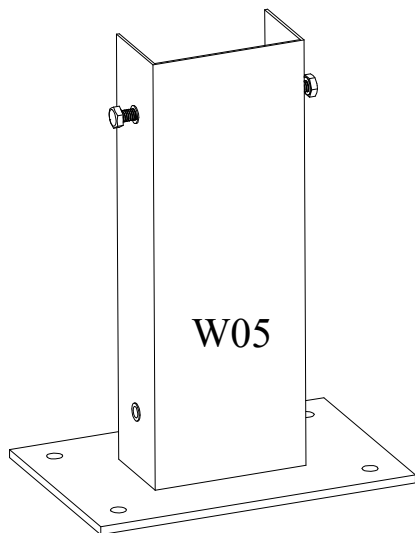
PART	#	mm	Qty.
	Z04	Ø10*100	8
	W05	200*300*407	2

Post Assembly-method 2 (on soil ground)

A



Pre-install 2pcs S01, as height position for burying part under ground.

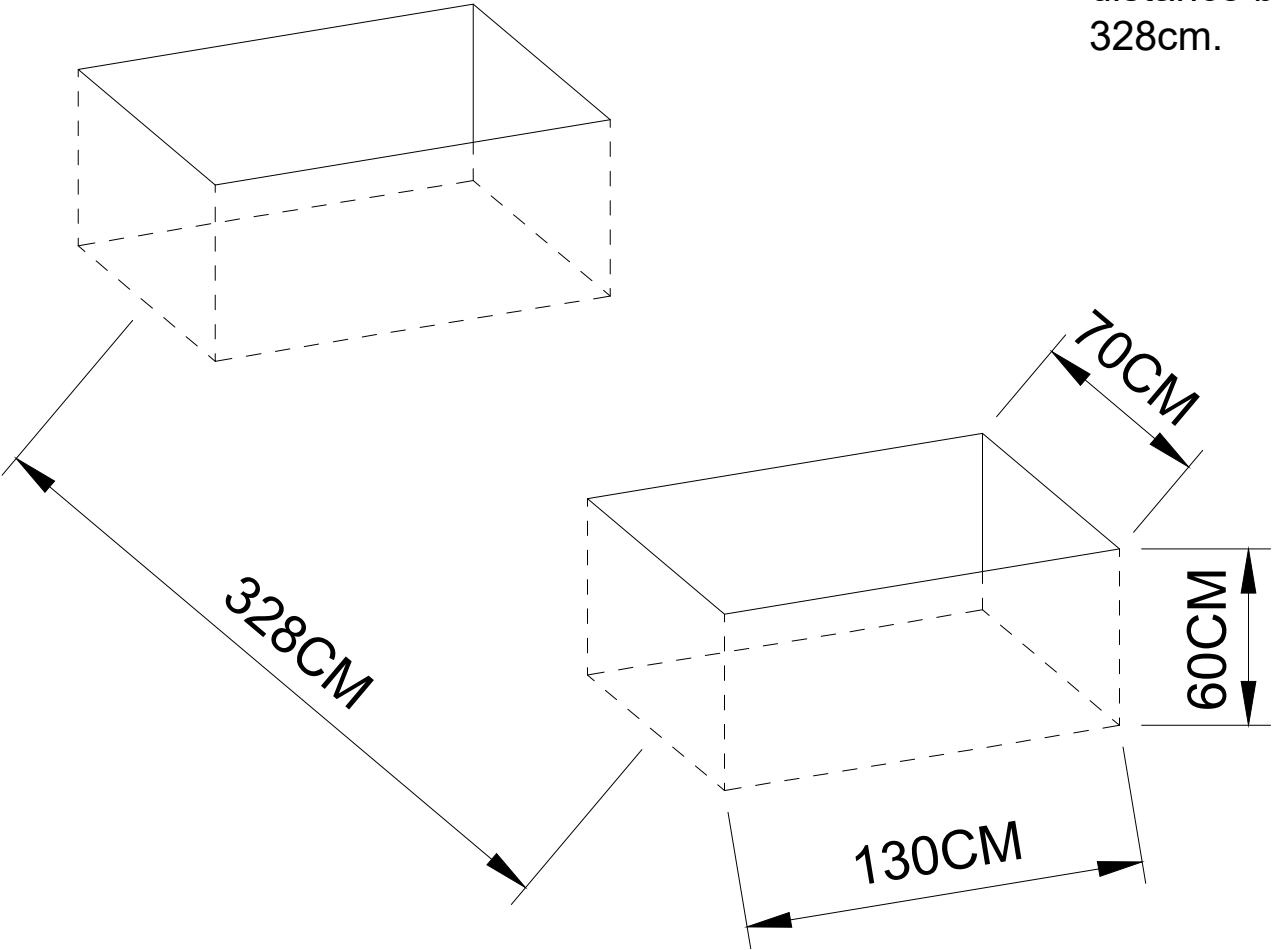


You can use steel wires tie up the 4pcs W13 together.

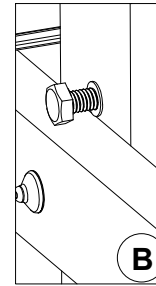
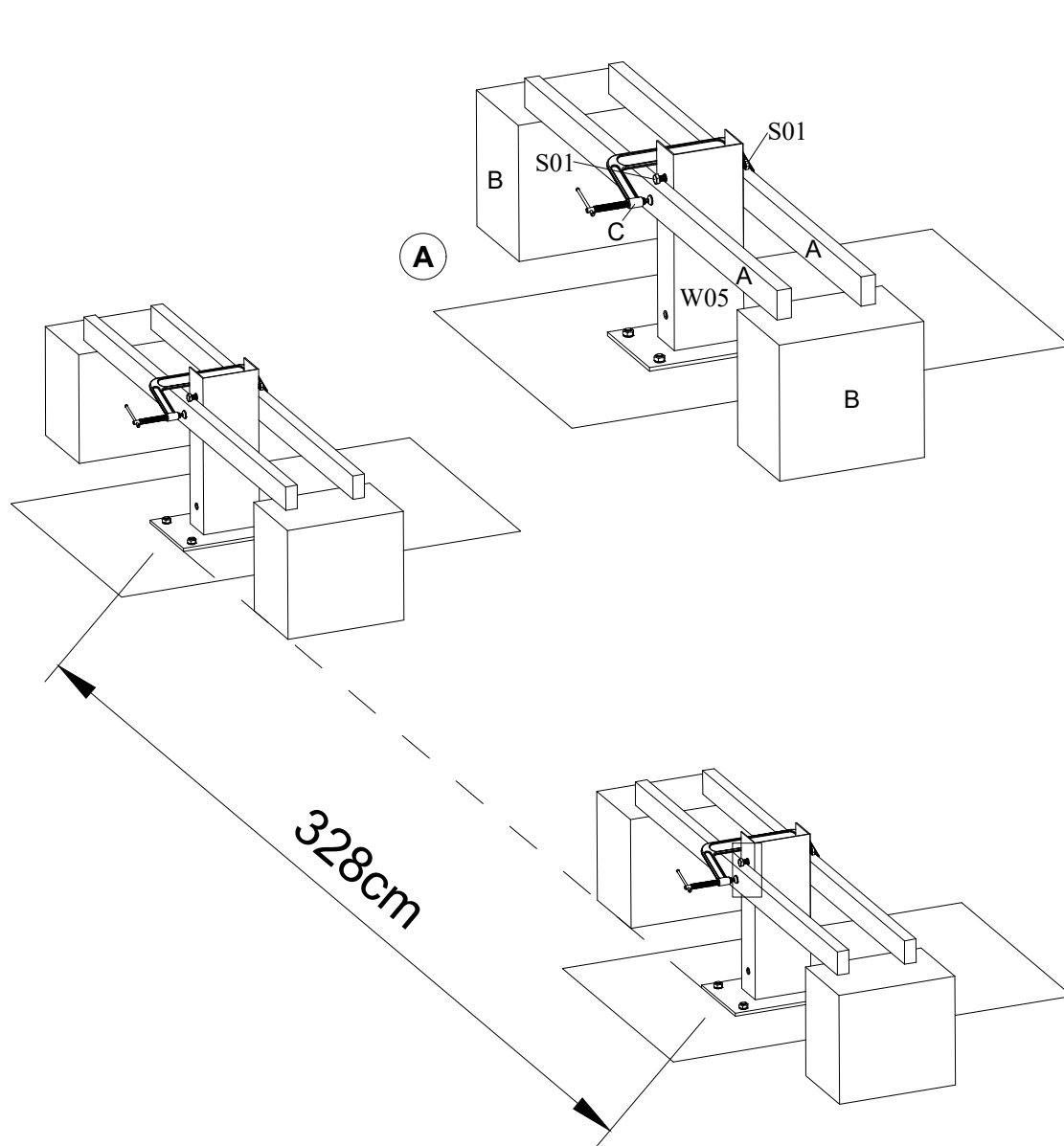
PART	#	mm	Qty.
	W05	200*300*407	2
	W13	510*175*12	8
	M02	M12	16
	N02	M12	8
	N03	Ø12*24*2	8

Post Assembly-method 2 (on soil ground)

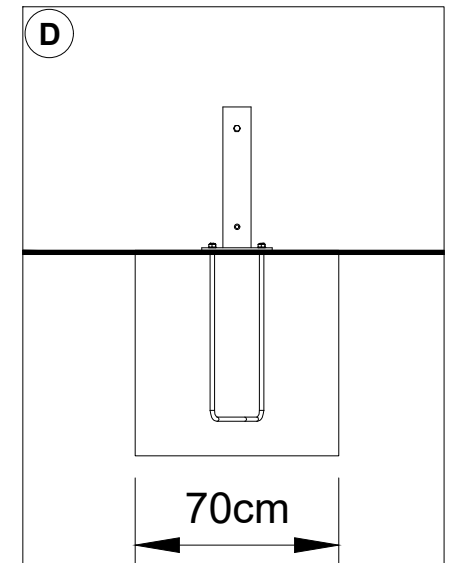
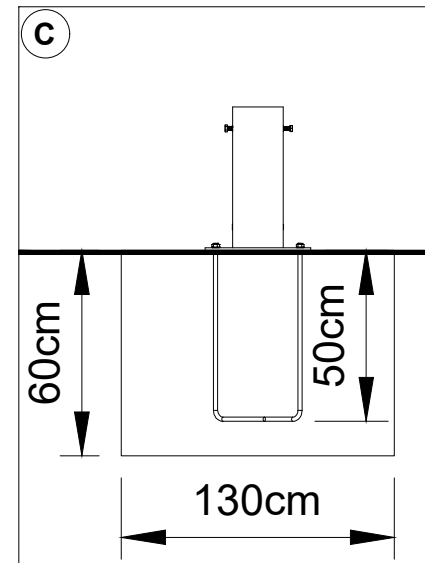
Dig 2 holes in size 130*70*60cm on the ground of installation site, distance between the 2 holes is 328cm.



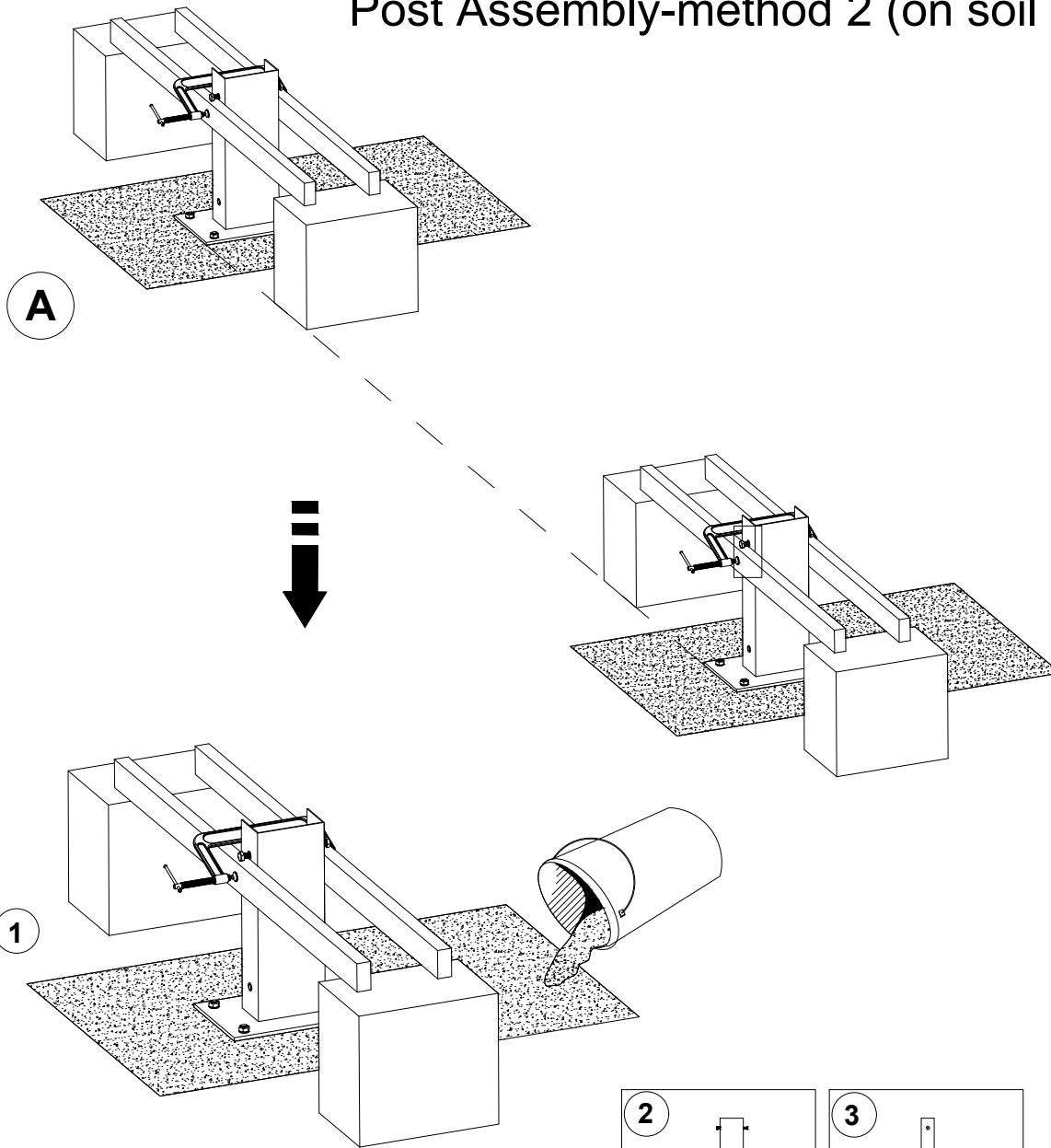
Post Assembly-method 2 (on soil ground)



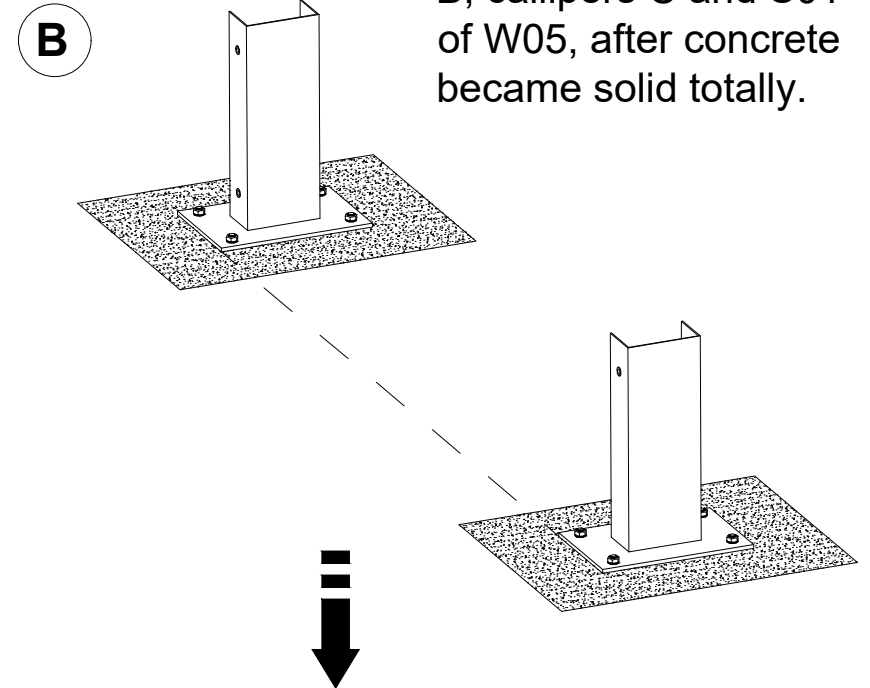
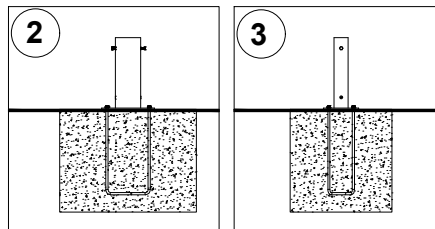
You need prepare wooden boards A, B and callipers C by yourself. Put two wood A (140×6cm) on top of wood B, then put W05 on wood A (S01 already pre-installed on W05), S01 stay above of wood A, see picture B. Use callipers C fix wood A and W05, adjust height of wood B to let bottom of W05 at same level of the ground.



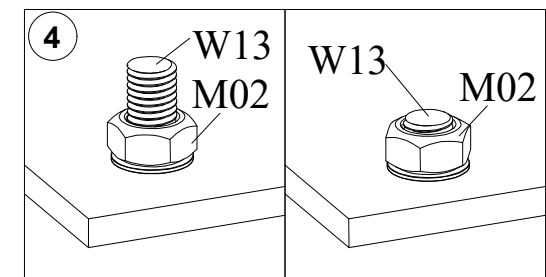
Post Assembly-method 2 (on soil ground)



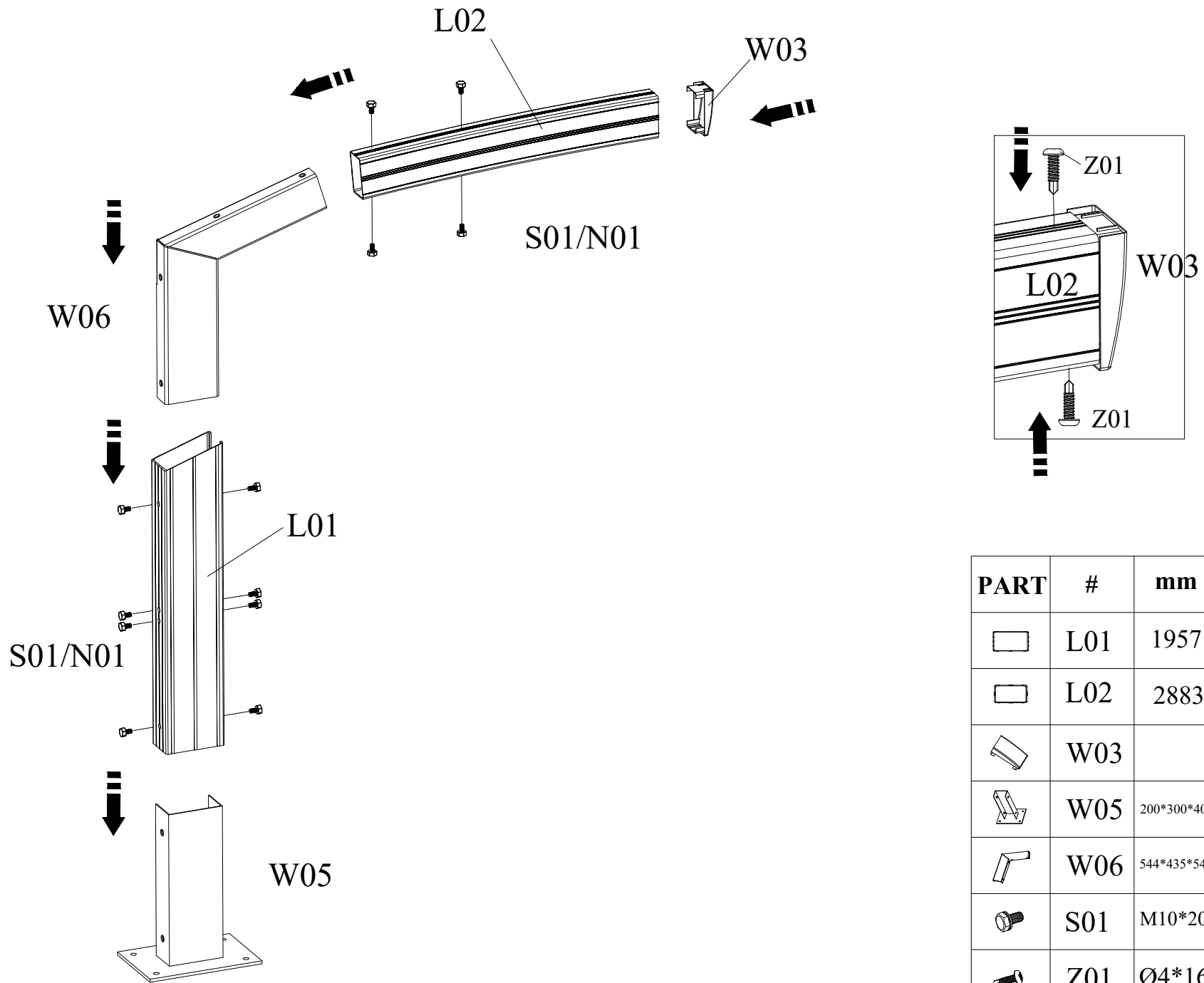
Adjust well W05 position in horizontality and verticality before pouring concrete.



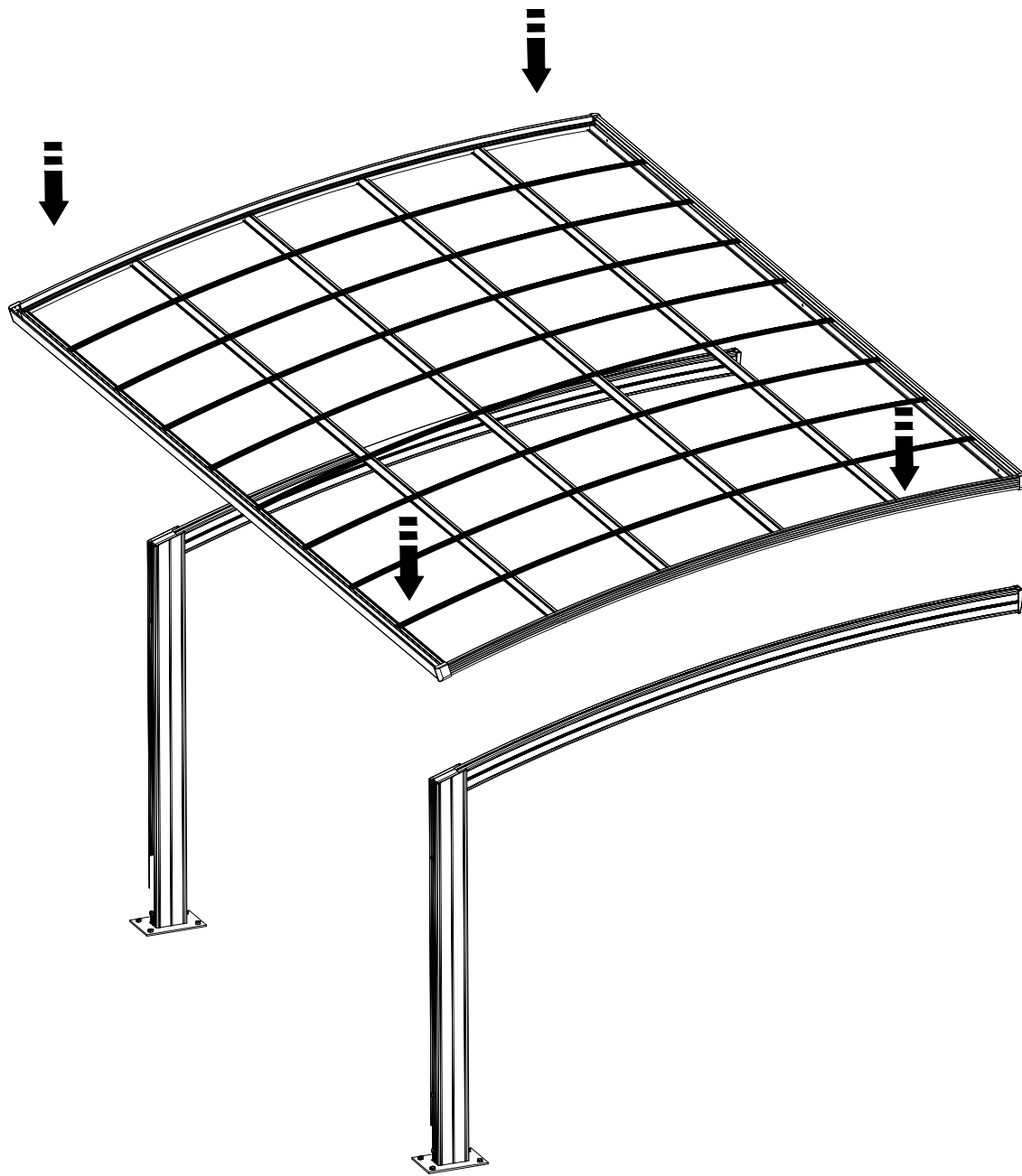
Take off wood A, wood B, callipers C and S01 of W05, after concrete became solid totally.

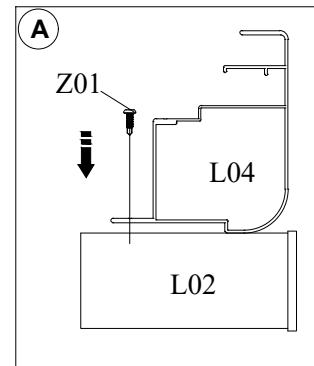
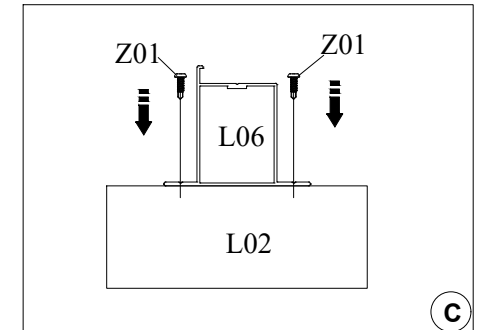
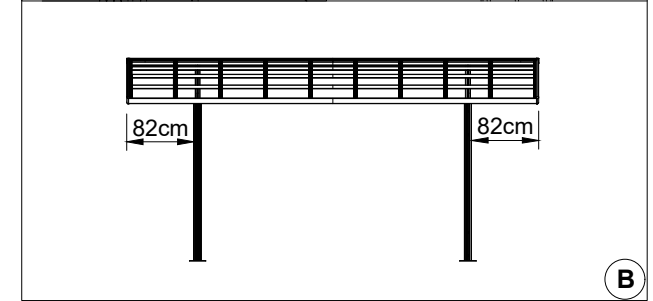
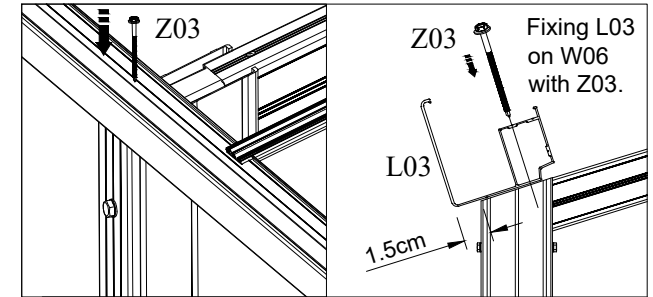
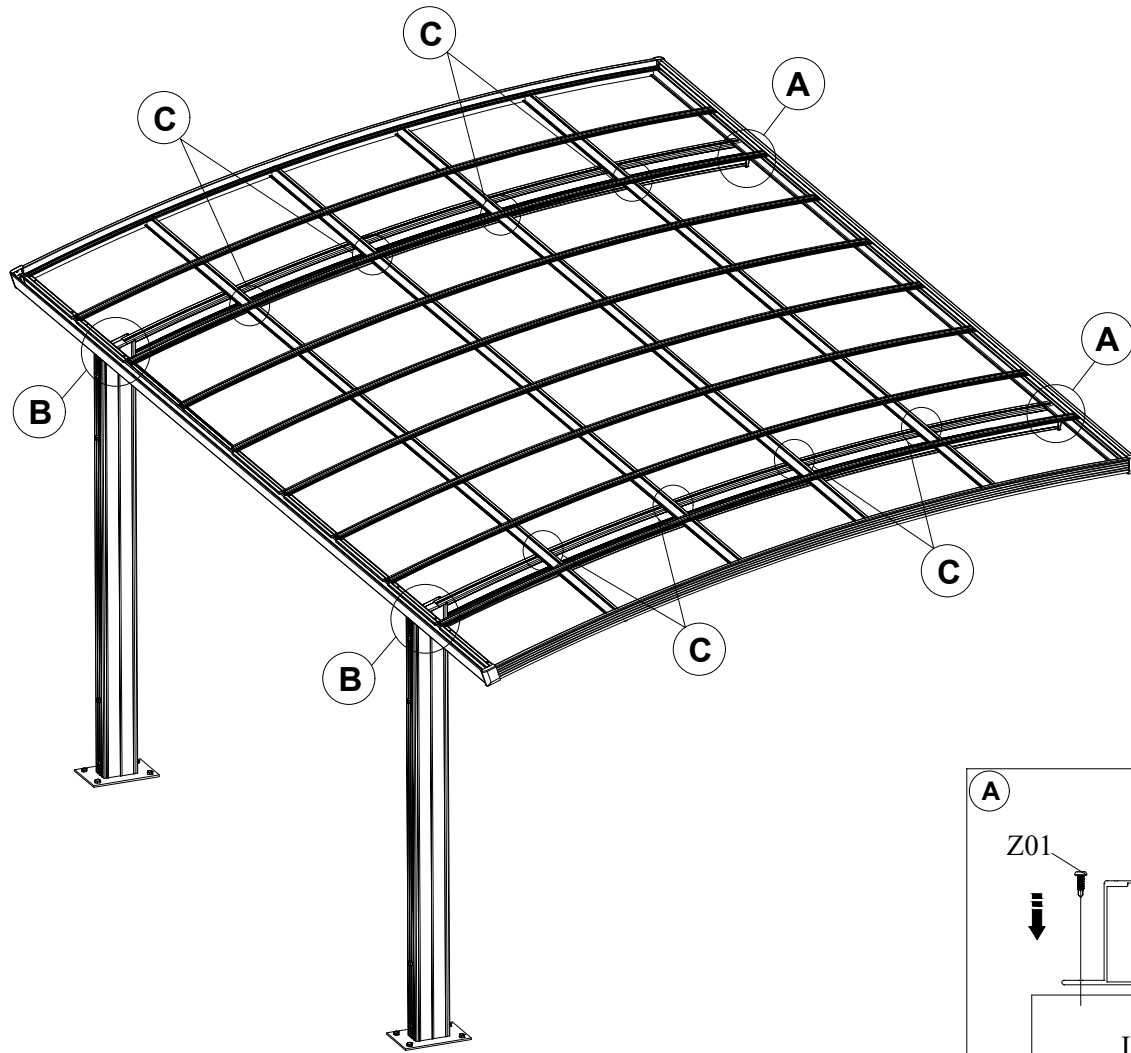




Fasten M02 on W13 tightly, cut the rest part above of M02, for install Q02 in following step, see picture 4.

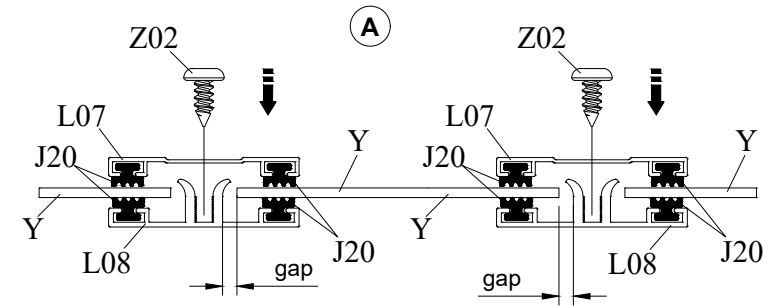
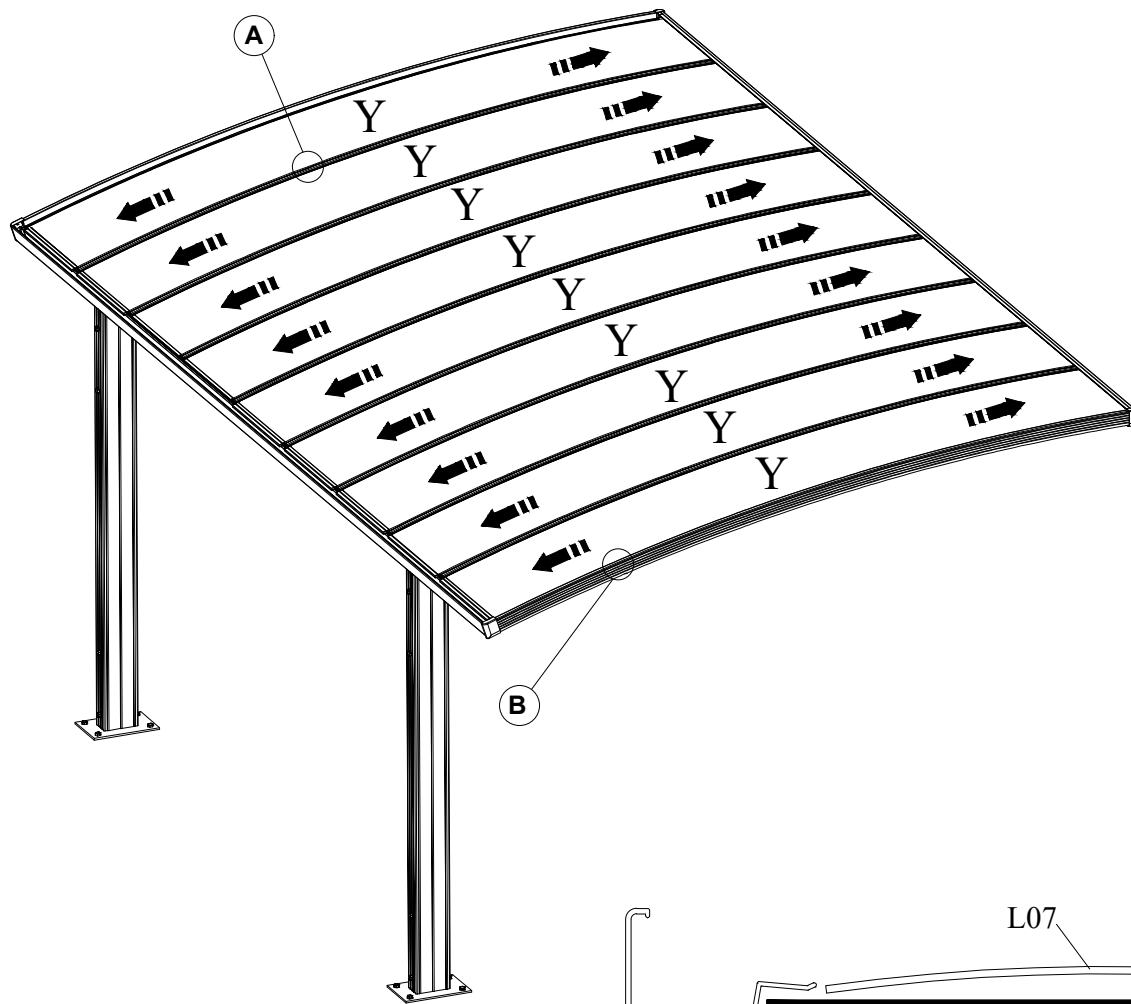


PART	#	mm	Qty.
	L01	1957	2
	L02	2883	2
	W03		2
	W05	200*300*407	2
	W06	544*435*54	2
	S01	M10*20	24
	Z01	Ø4*16	4
	N01	Ø10*19*1	24

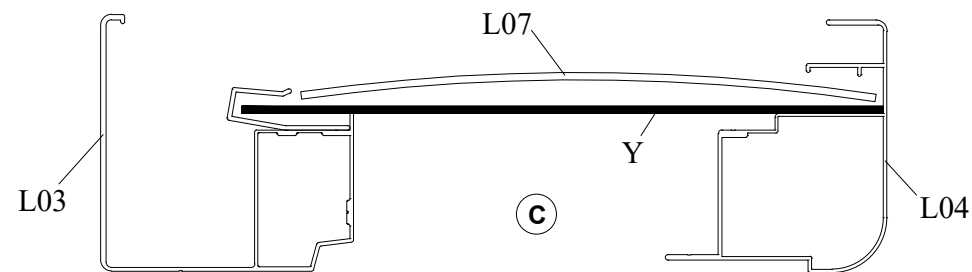
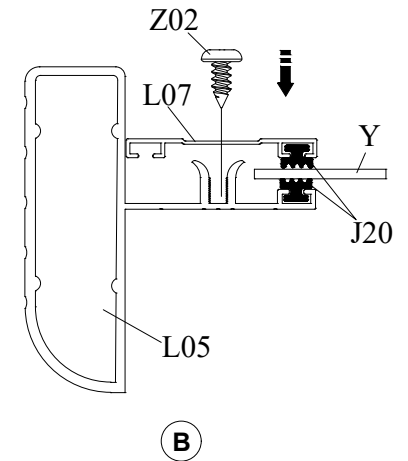








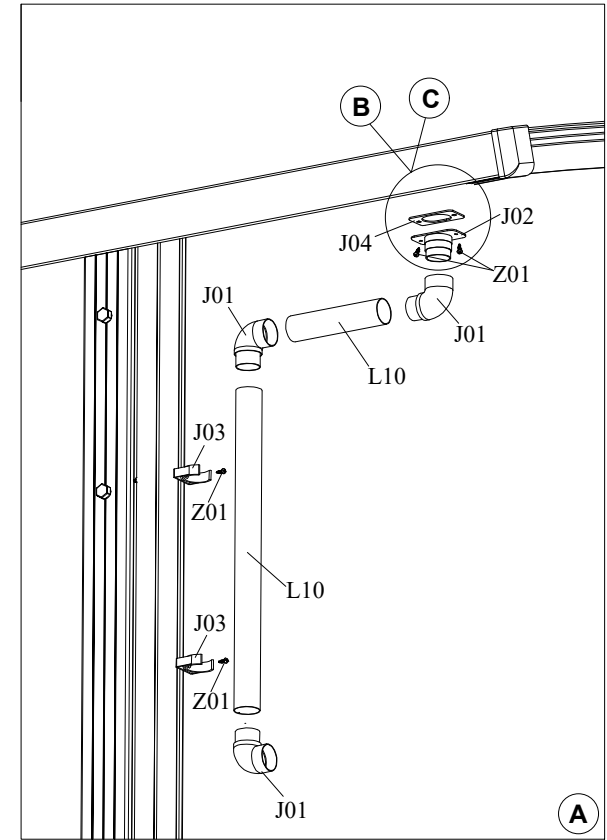
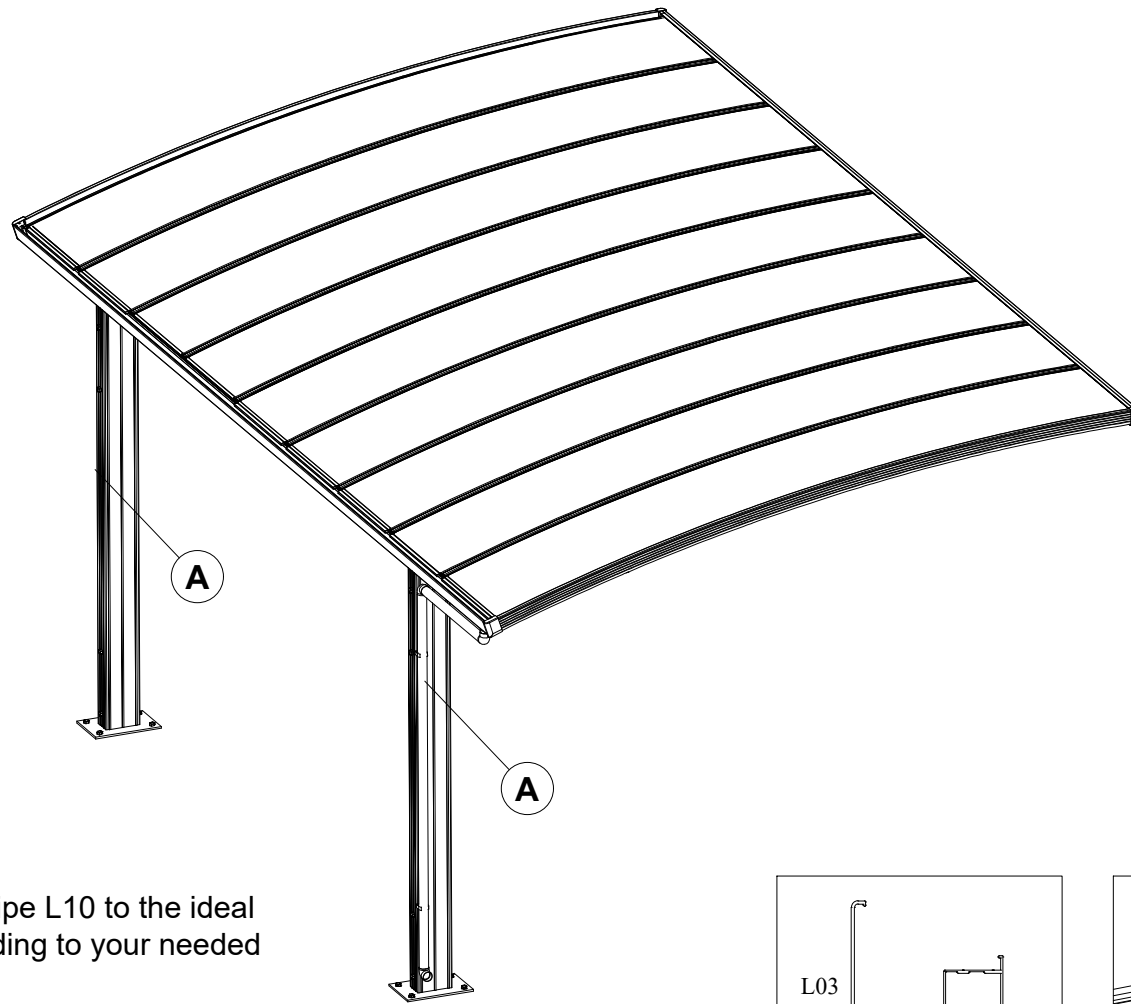
PART	#	mm	Qty.
	Z01	Ø4*16	20
	Z03	Ø5*70	2



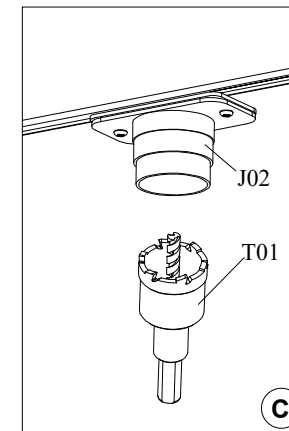
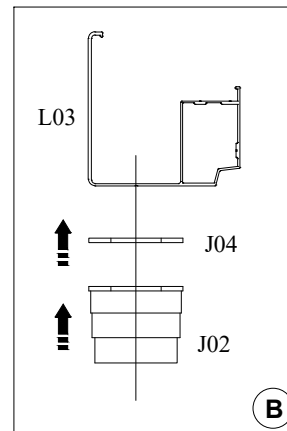
Note: Please fit pc panel Y parallel with L08 and keep same gaps between two sides, to avoid expansion and contraction during usage to damage pc panel.



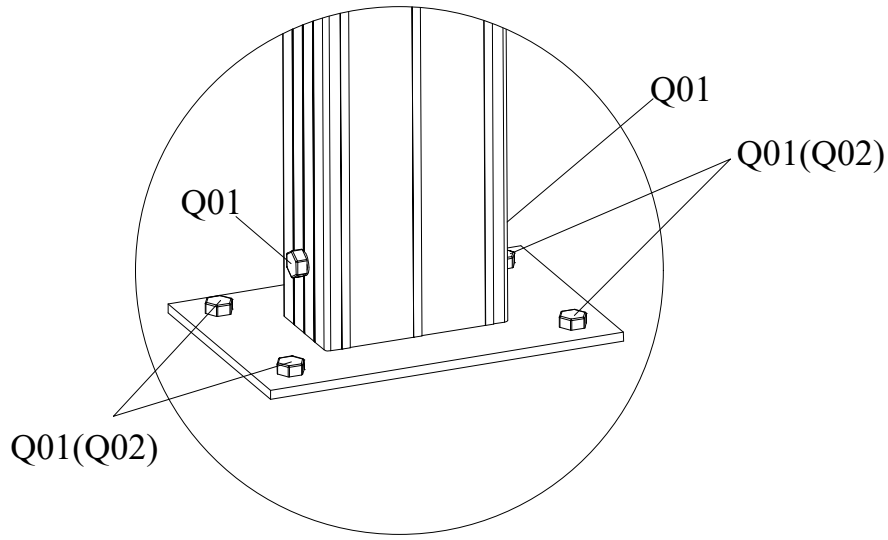
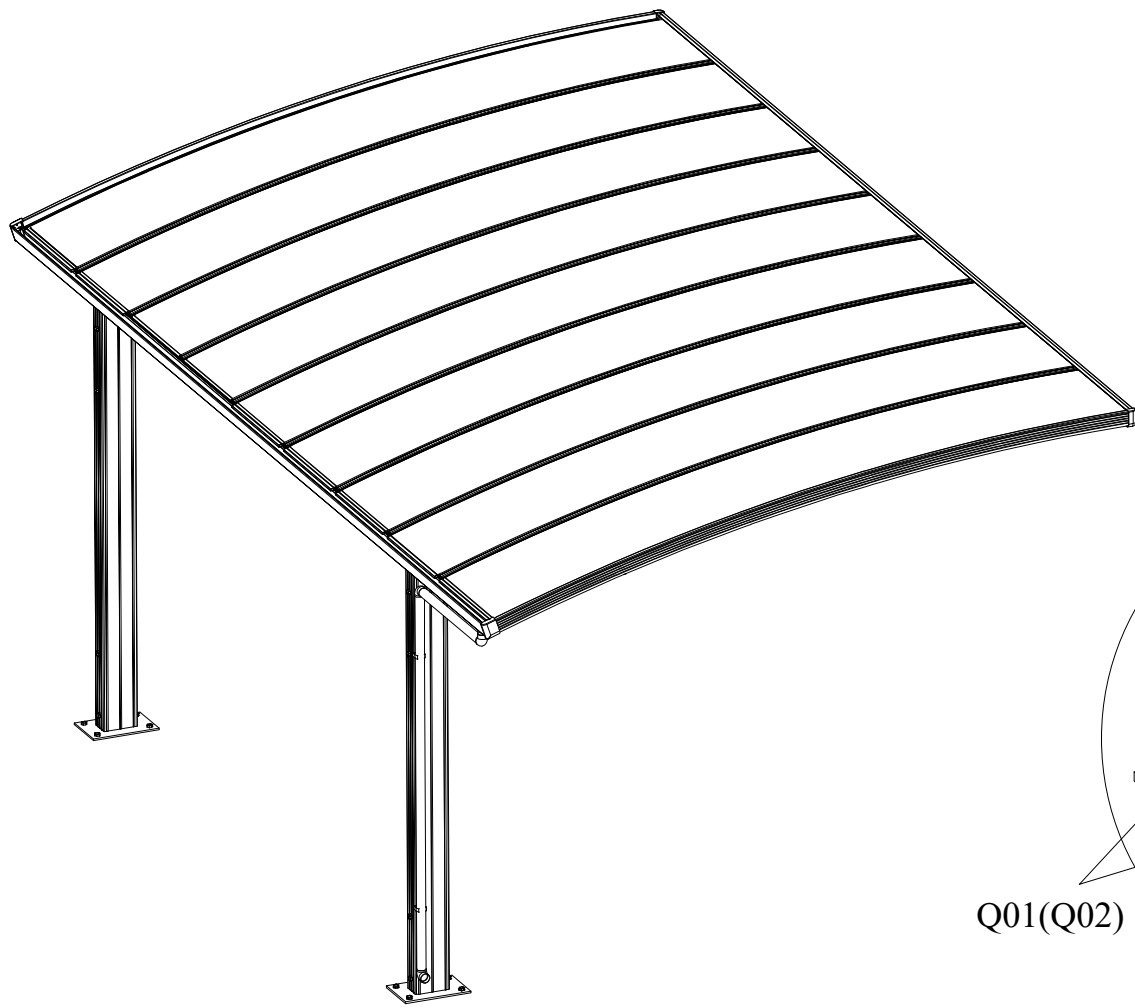
PART	#	mm	Qty.
	L07	2995	10
	Z02	Ø5*10	60
	J20		60M
	Y	3009*531	9





1. cut downpipe L10 to the ideal length according to your needed situation
2. please define a fixing place before fix J04 and J02,(see fig.B) then fix J04 and J02 on bottom of gutter L03 with Z01, using opening tool T01 to drill a hole on J03 through the existing hole of J02 (see fig. B)
3. please put silica gel before fix J01, J02 and L10.



PART	#	mm	Qty.
	J01		6
	J02		2
	J03		4
	J04		2
	L10	2970	2
	Z01	Ø4*16	8



PART	#	mm	Qty.
	Q01	M10*17	32
	Q02	M12*18*10.5	8

DANCOVER[®]

.com

Contact information

Austria



Belgium



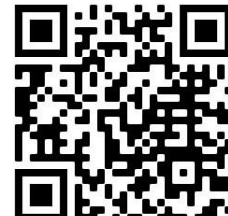
Croatia



Denmark



Estonia



Finland



France



Germany



Ireland



Italy



Latvia



Lithuania



Nederland



Norway



Poland



Portugal



Spain



Sweden



Switzerland



UK



For more information please visit: www.dancovershop.com