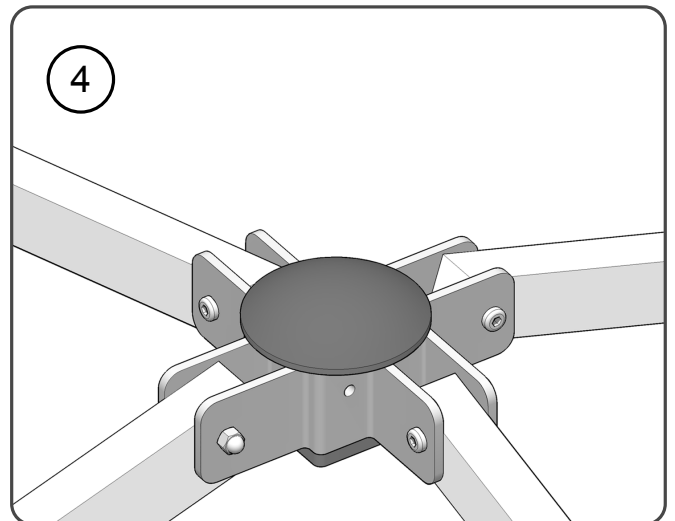
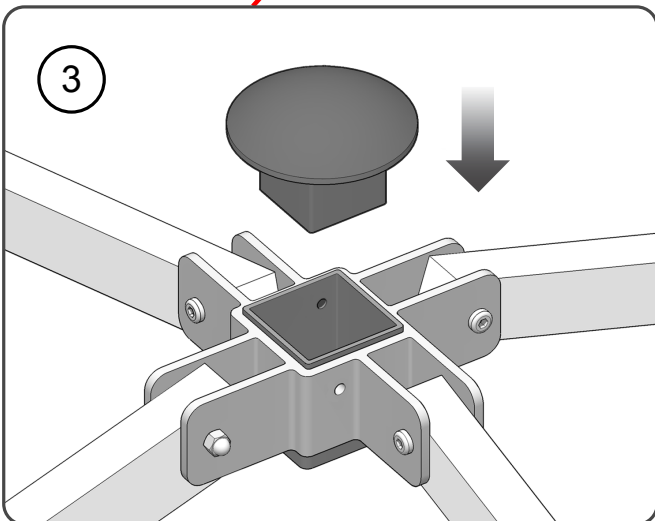
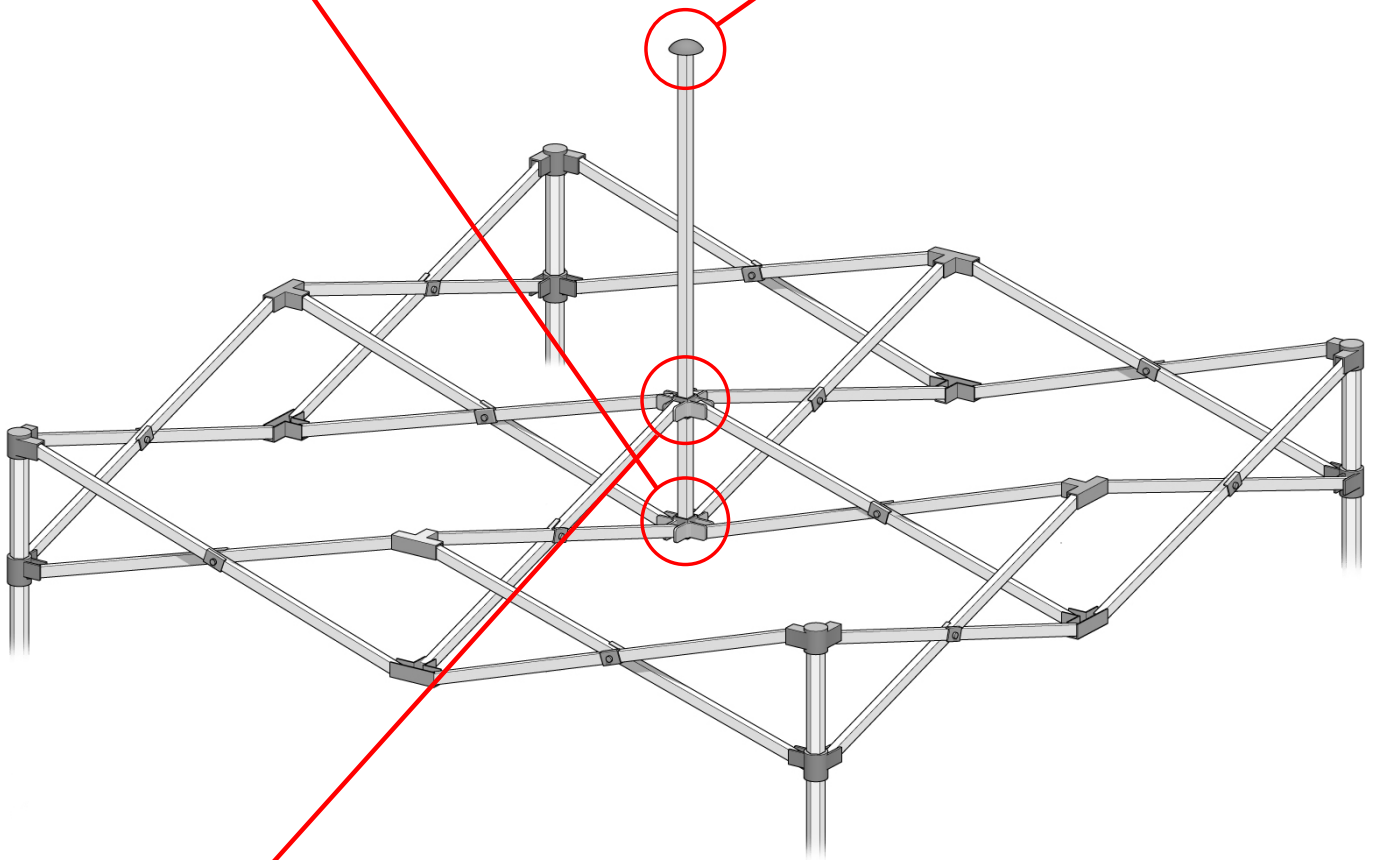
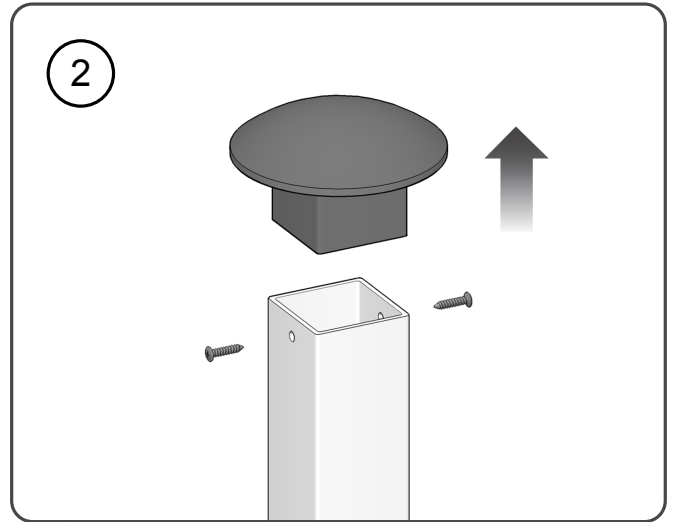
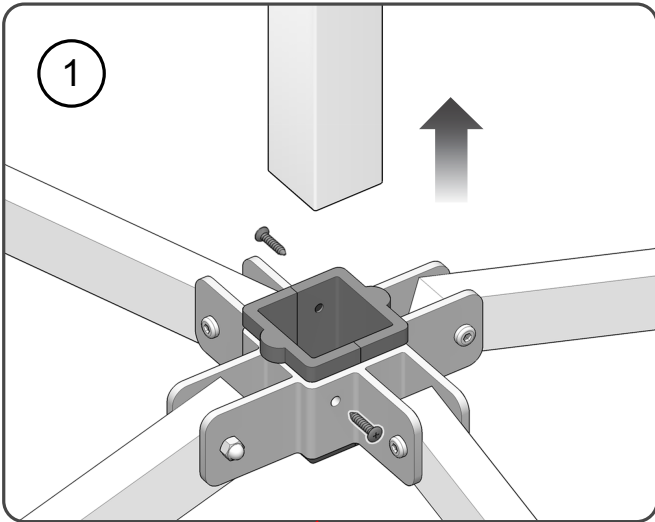




Manual  
for  
FlexTents Exhibition,  
Removal of Center Pole

# How to remove the center pole before set-up



## Contact information

Austria



Belgium



Croatia



Denmark



Estonia



Finland



France



Germany



Ireland



Italy



Latvia



Lithuania



Nederland



Norway



Poland



Portugal



Spain



Sweden



Switzerland



UK

