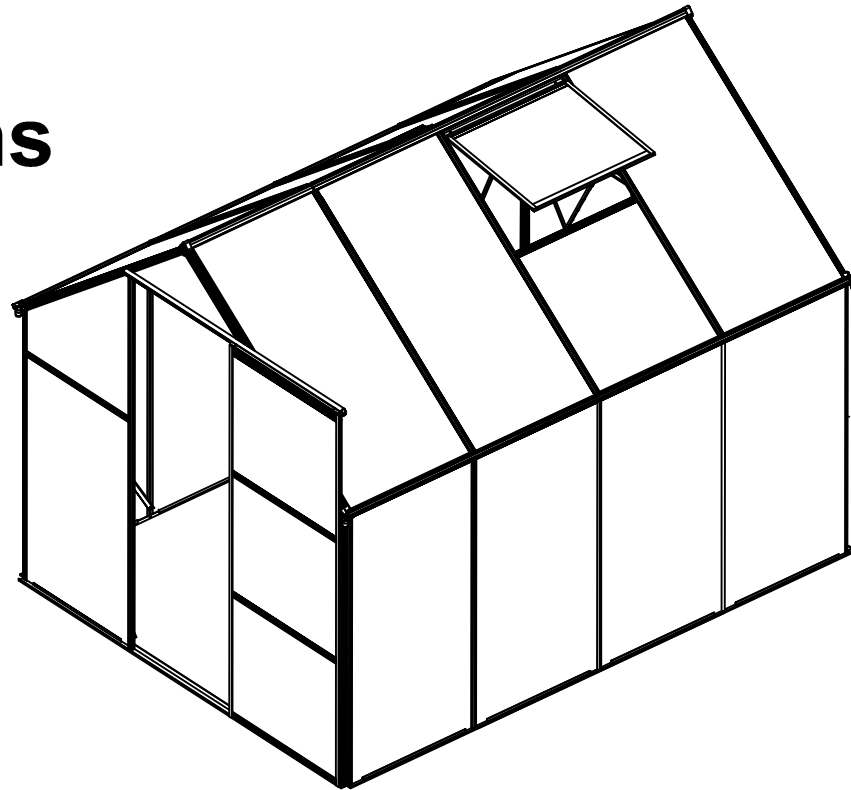


DANCOVER[®]



Manual
for
Greenhouse w/Base
1,9x2,5x2,07m

Greenhouse Assembly Instructions



IMPORTANT

You must read these instructions carefully before you start to assemble this greenhouse. Please ensure that you find all parts in the carton box in the correct type and quantity as mentioned in the list illustrated in every page accordingly.

Please carry out the steps in the order set out in these instructions.

Do not tighten the steps in the greenhouse until completing on the assembly of the polycarbonate panels.

Keep these instructions in a safe place for future reference.

SAFETY ADVICE

We strongly recommend the use of work gloves during assembly.
Do not attempt to assemble the greenhouse in windy or wet conditions,
Do not touch overhead power cables with the aluminum profiles.
Always wear shoes and safety goggles when working with extruded aluminum.
Dispose of all plastic bags safely-keep them out of reach of small children.
The greenhouse must be positioned and fixed on a flat level surface.
Do not lean against or push the greenhouse during construction.
Keep children away from the assemble area.
Do not position your greenhouse in an area exposed to excessive wind.
Do not attempt to assemble this greenhouse if you are tired ,have taken drugs or alcohol
or if you are prone to dizzy spells.
If using a step ladder or power tools ensure that you follow the manufactures safety advice.
Hot items such as recently used grills, blowtorches etc.must not be stores in the greenhouse.
Ensure there are no hidden pipes or cables in the ground before inserting the pegs.

GENERAL ADVICE

This is a multi-part assembly, Allow at least 180 minutes for assembly.
Selecting a site-choose a sunny level position away from overhanging trees.
If you are fixing your greenhouse directly to a solid concrete foundation use the pre drilled holes in the metal base supplied.
The component parts should be checked and laid out close at hand.
Keep all small parts(screws etc)in a bowl so they do not get lost.
Note that the door is hinged on the right hand side and therefore opens to the right.
Keep roof clear of snow and leaves.

CARE & MAINTENANCE

When your greenhouse needs cleaning, use a mild detergent solution and risen with cols clean water.
Do NOT use acetone, abrasive cleaners or other special detergents to clean the clear panels.

TOOLS & EQUIPMENT REQUIRED

Protective Equipment:

- 1.Helmet
- 2.Glove
- 3.Long Sleeve Cotton Overalls
- 4.Emergency Medicine Cabine
- 5.Eye Shield



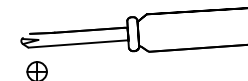
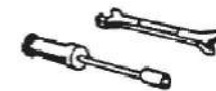
Measure (metric):

- 1.The Tape (5 m)
- 2.Angle Square
- 3.Level Meter



Installation Tool:

1. Spanner 8mm (Ratchet Wrench is better)
2. Electric screwdriver+8mm hex bolt sleeve(suggest)
3. Wooden Mallet
4. Marking Pen
5. Silicon
6. Knife
7. Phillips screwdriver



Silicon

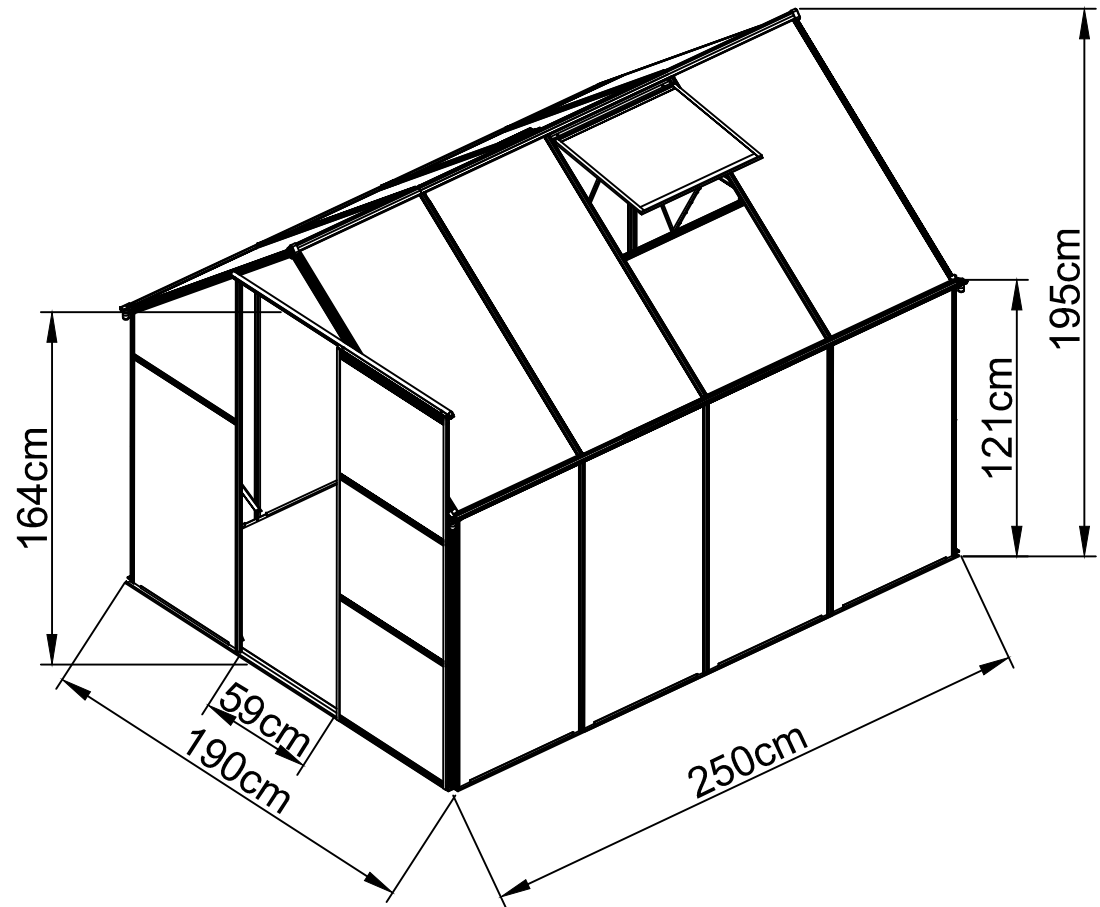
PRODUCT SIZE

Firstly, make sure a good installation location.

Find a flat ground which is 2 times bigger than the Green house before installation.







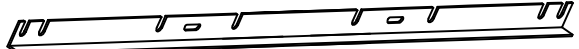
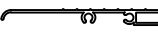



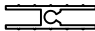




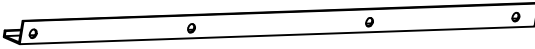
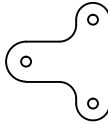


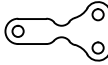
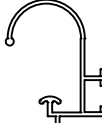




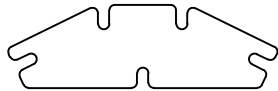


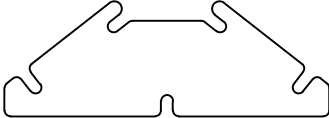


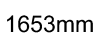

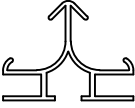


OTHER CAUTIONS

1. 2 people required, one is for measuring & taking marks to ensure the installation dimension, the second person is responsible for the installation and the last one do as assistant and assure the safety.
2. High-power electric tools are required, ensure the normal work of them and highly pay attention to electric safety.
3. Be careful when using the kind of blunt tools, like hammer.
4. Wearing long sleeve cotton overalls, gloves and helmet during installation and wear safety glasses when using power tools.
5. No up watching when working height, or the drop screws may hurt your eyes and suffocation causing accidentally when fall into your mouth.
6. No climbing, No standing on the tent to avoid falling down.
7. If injuries immediately, using the first-aid kit to stop bleeding, bind up, In case of emergency, taken immediately to a nearby medical institutions.







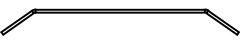



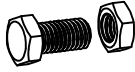
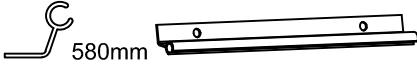





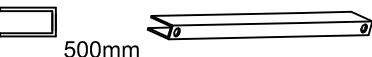
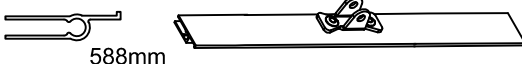





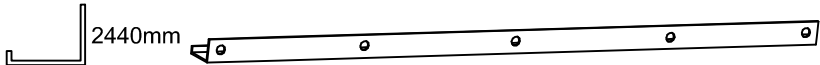
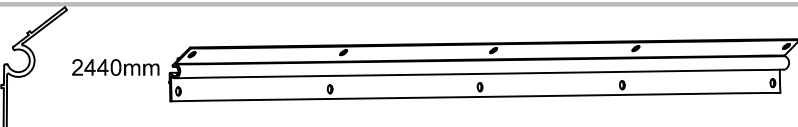

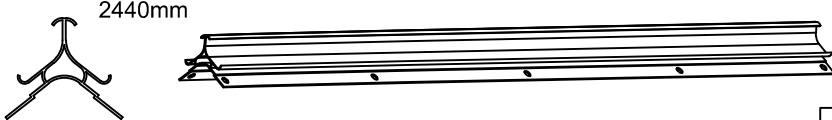
PARTS LIST (3-1)

Front wall and back wall

NO.	Qty.		NO.	Qty.	
D1	1	 1647mm 	12	4	 583mm 
D4	1		14	1	 1838mm 
D2	1	 621mm 	22	8	 1200mm 
D3	3	 621mm 	23	4	 1100mm 
5	1	 1838mm 	B1	6	
6	1	 1838mm 	B3	2	
18	1	 1240mm 	B4	4	
13	1	 630mm 	B5	4	
7	4	 1197mm 	B6	2	
16	4	 1142mm 			
9	2	 1653mm 			
10L	1	 1674mm  Upward			
10R	1				

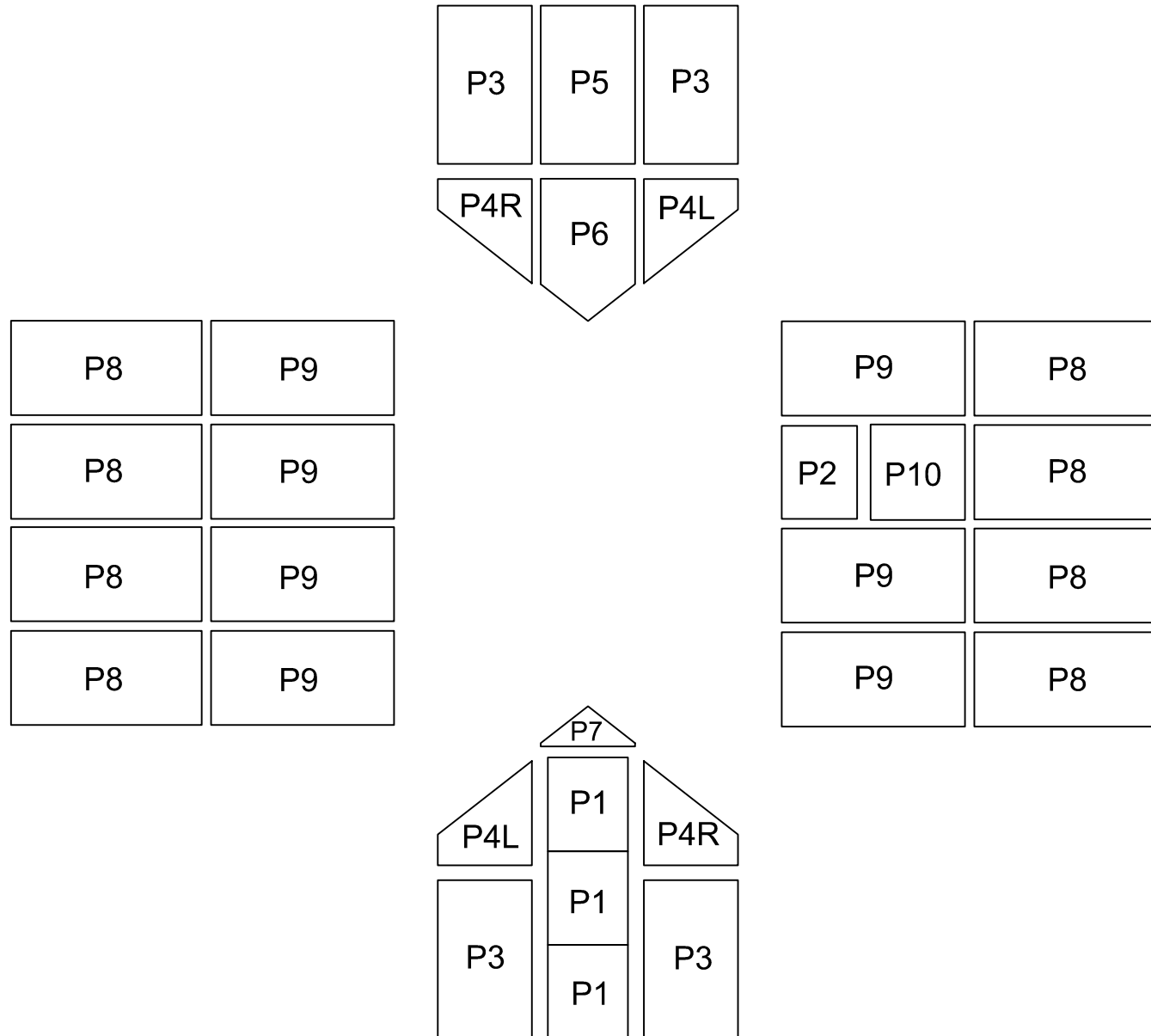
PARTS LIST (3-2)

Left and right walls and top

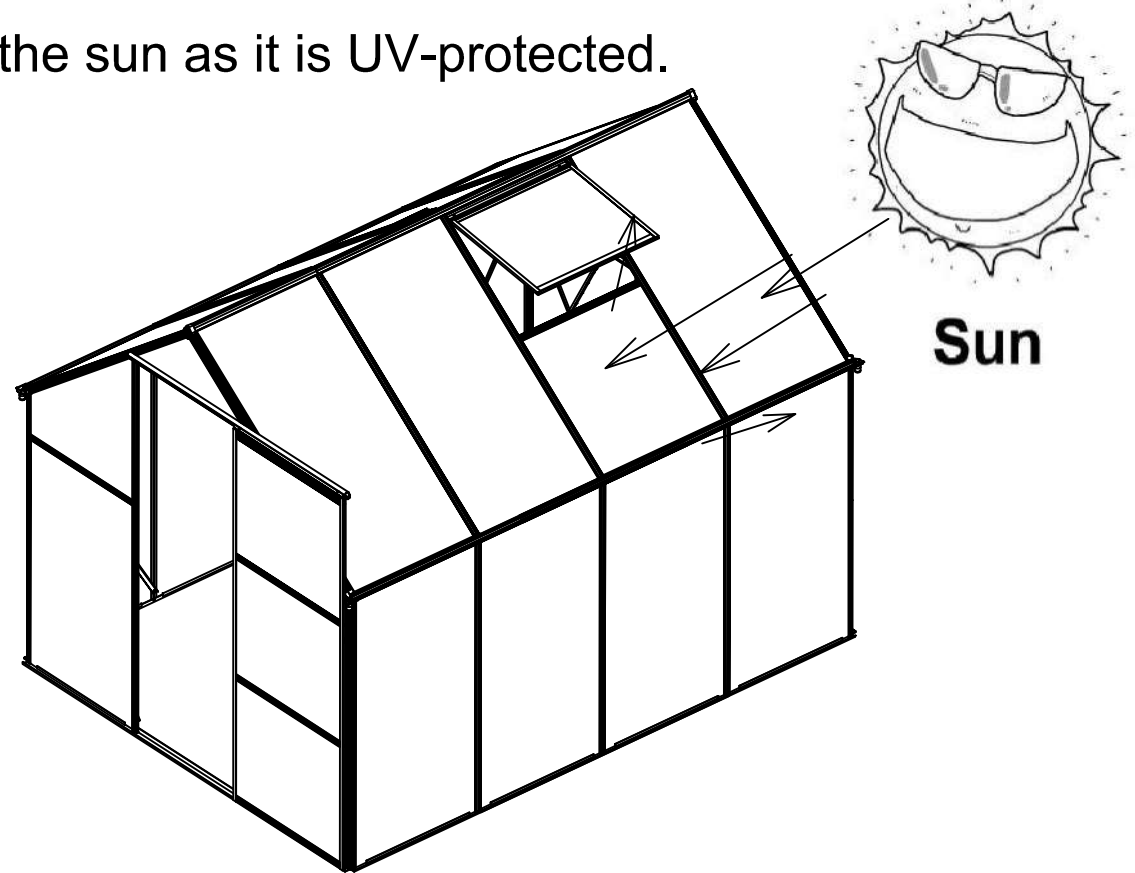
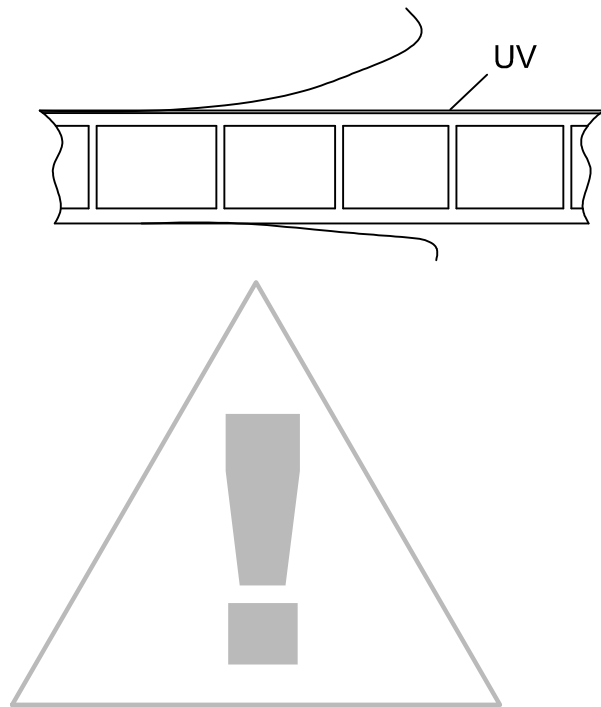
NO.	Qty.		NO.	Qty.		NO.	Qty.	
15	2		T1	6		F1	10	
19	6		T2	3		F2	4	
20	6		S2	13		F4	158	
26	1		S5	2		F6	2	
W1	1		S6L	2		F8	1	
W2	2		S6R	2		F9	1	
W3	1		S7L	1				
W4	1		S7R	1		S8	1	
B7	1		S9	1				
4	2							
8	2							
25	2							
17	1							

PARTS LIST (3-3)

Summary of polycarbonate panel

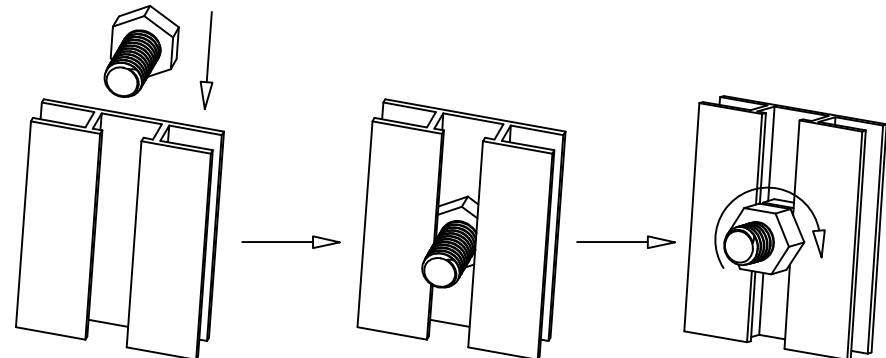


Towards the white film side to the sun as it is UV-protected.

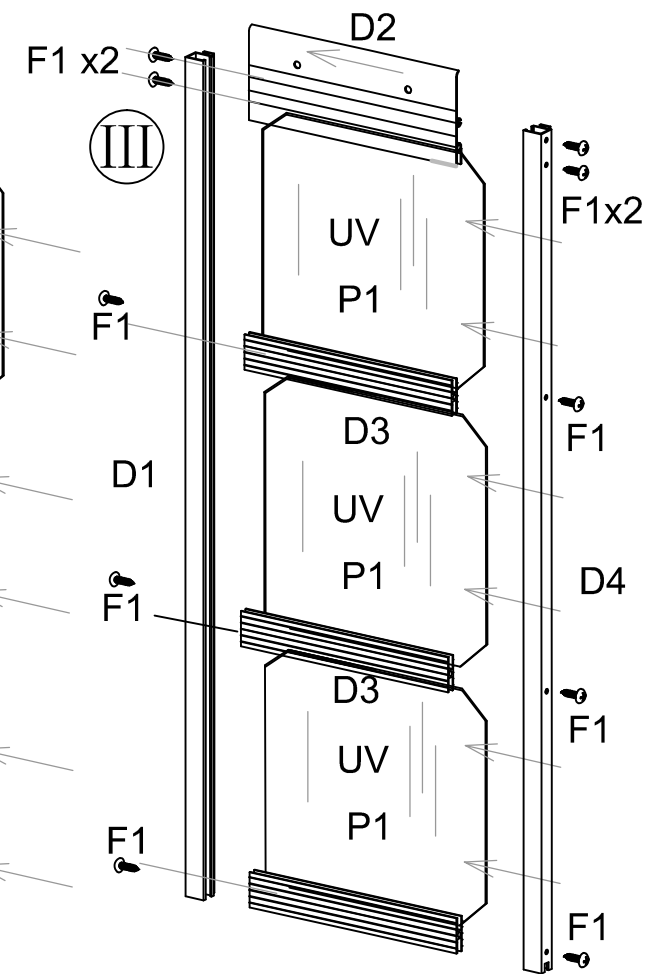
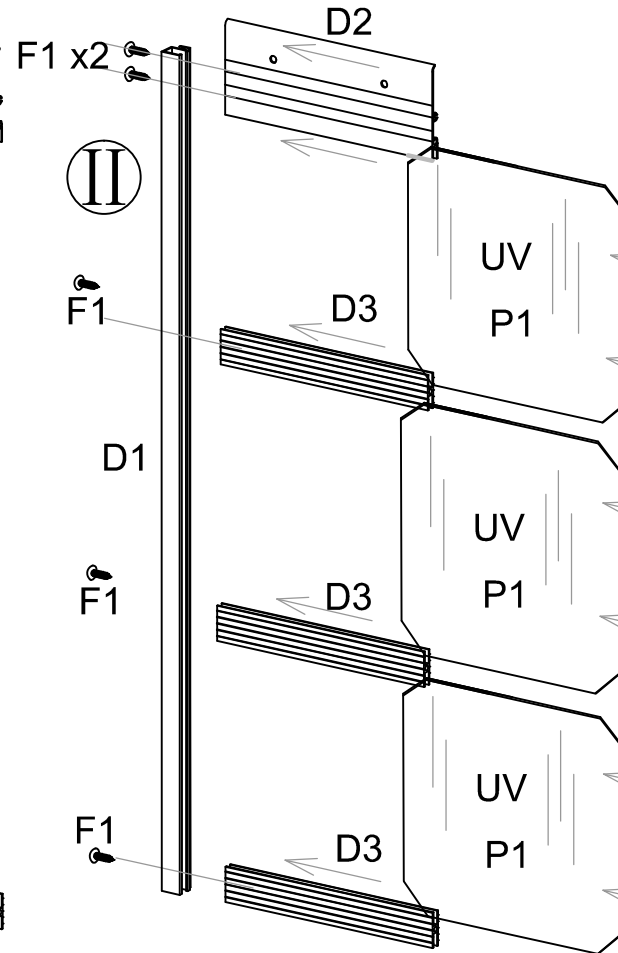
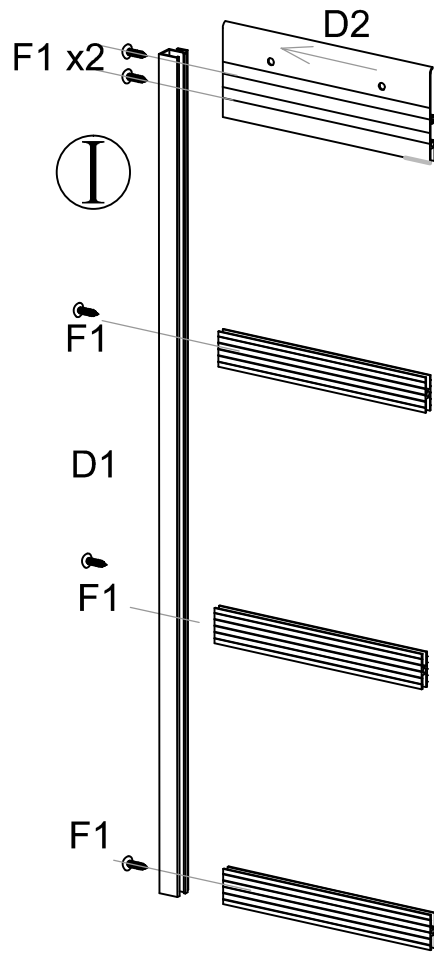
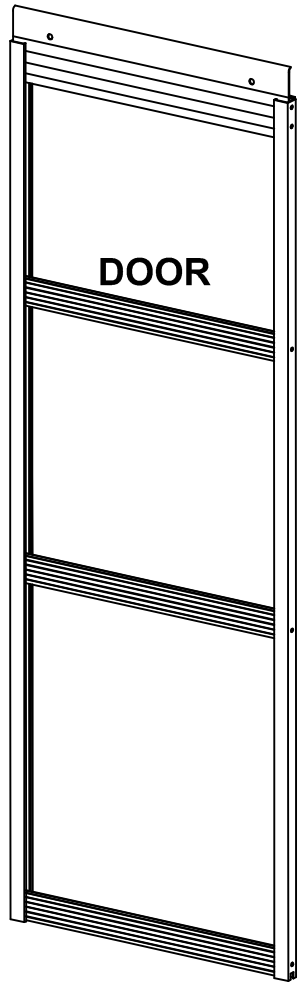
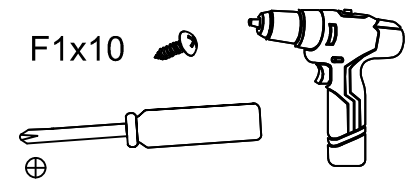
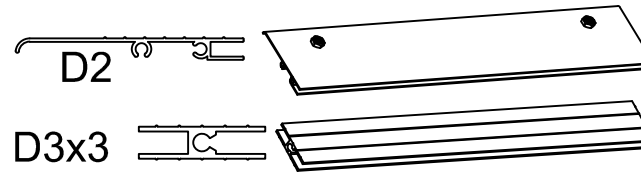
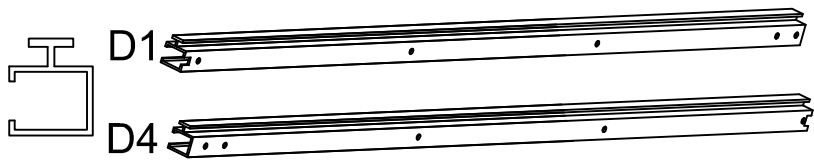


"hexagonal screw" installation

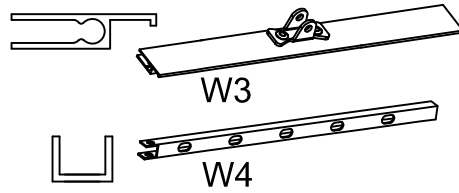
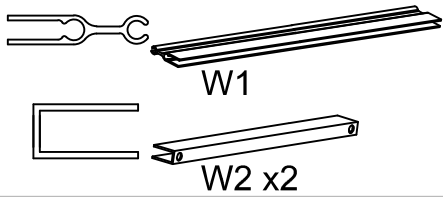
Place the "hexagonal screw" into the groove, turn clockwise until it stops turning.
Adjust the "hexagonal screw" by hand and twist so threads fix it in place.
Place other parts on "hexagonal screw" and assemble nut .



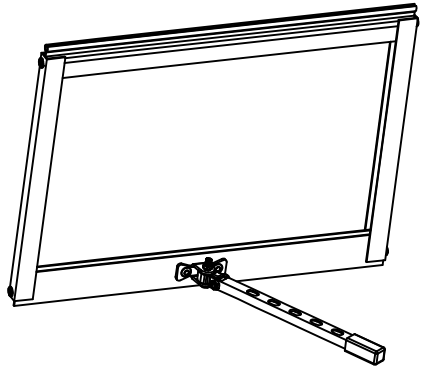
DOOR



WINDOW



WINDOWS



I

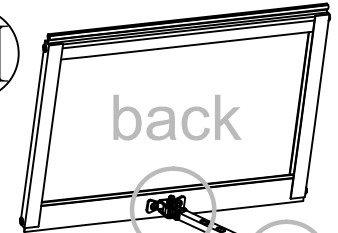


II

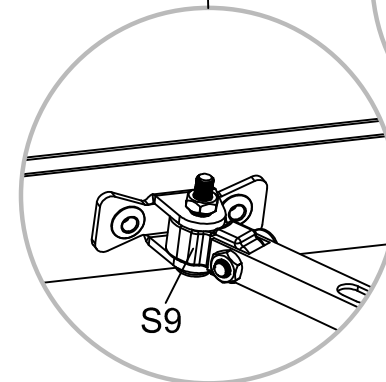
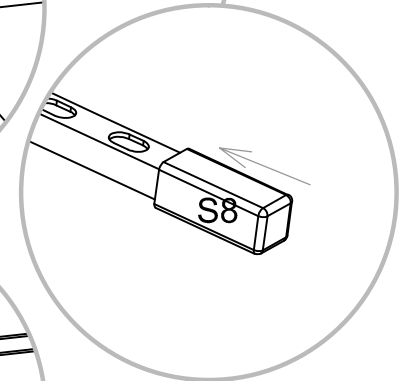
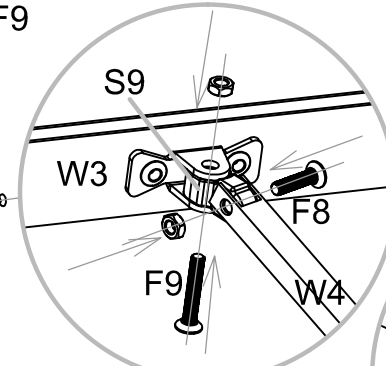
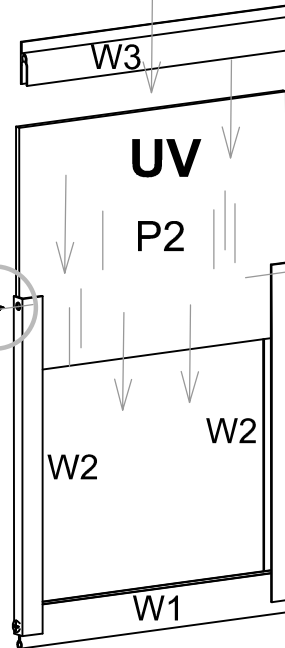
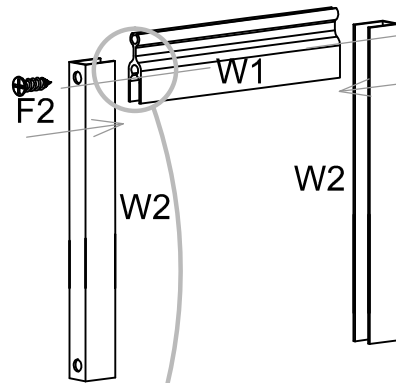
III

Note toward the UV surface to the Sun.

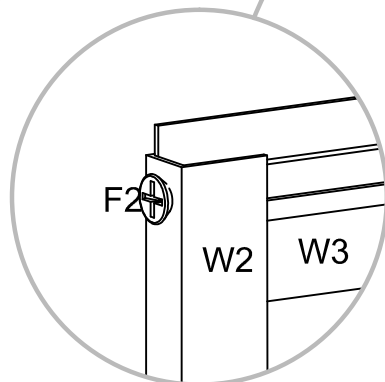
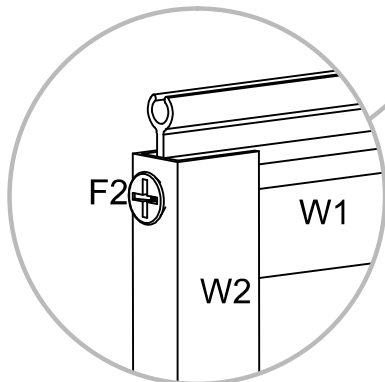
Note the direction of part No.3

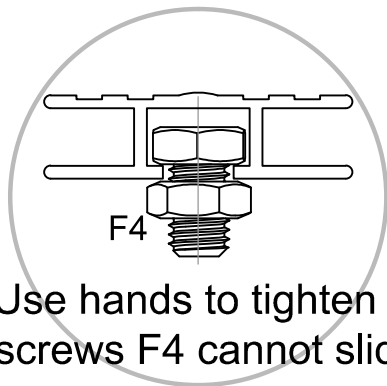
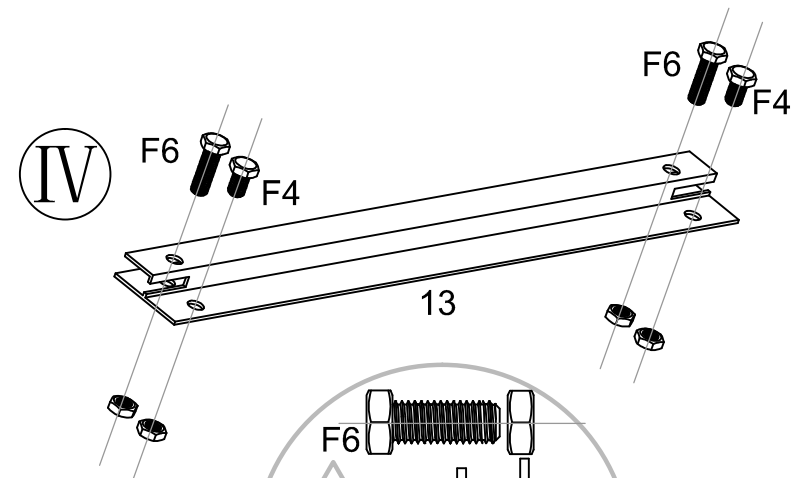
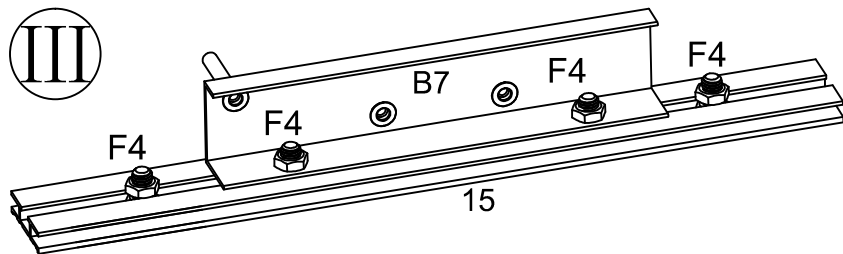
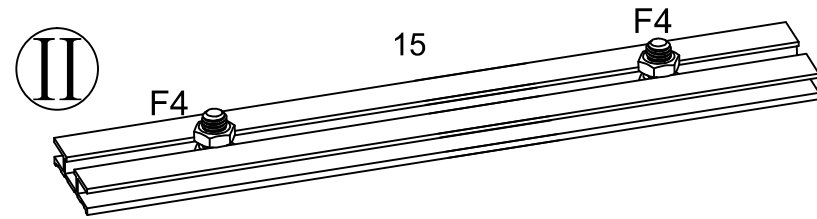
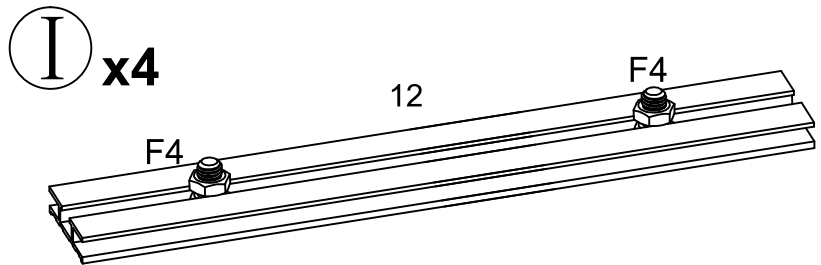
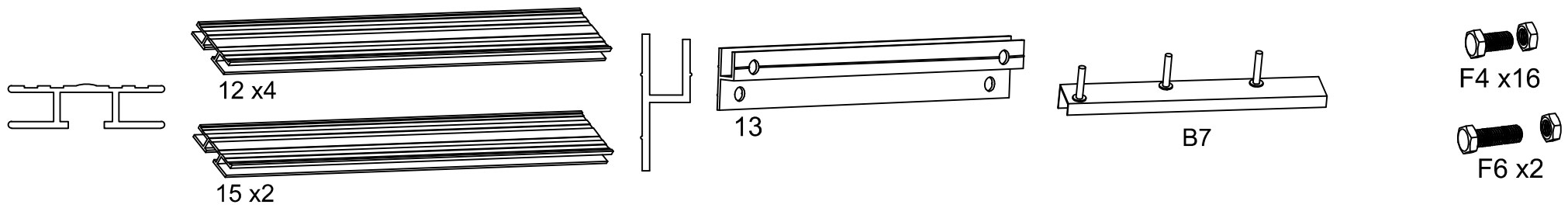


Note the direction of parts F8 and F9

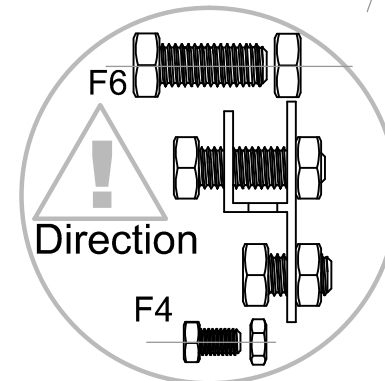


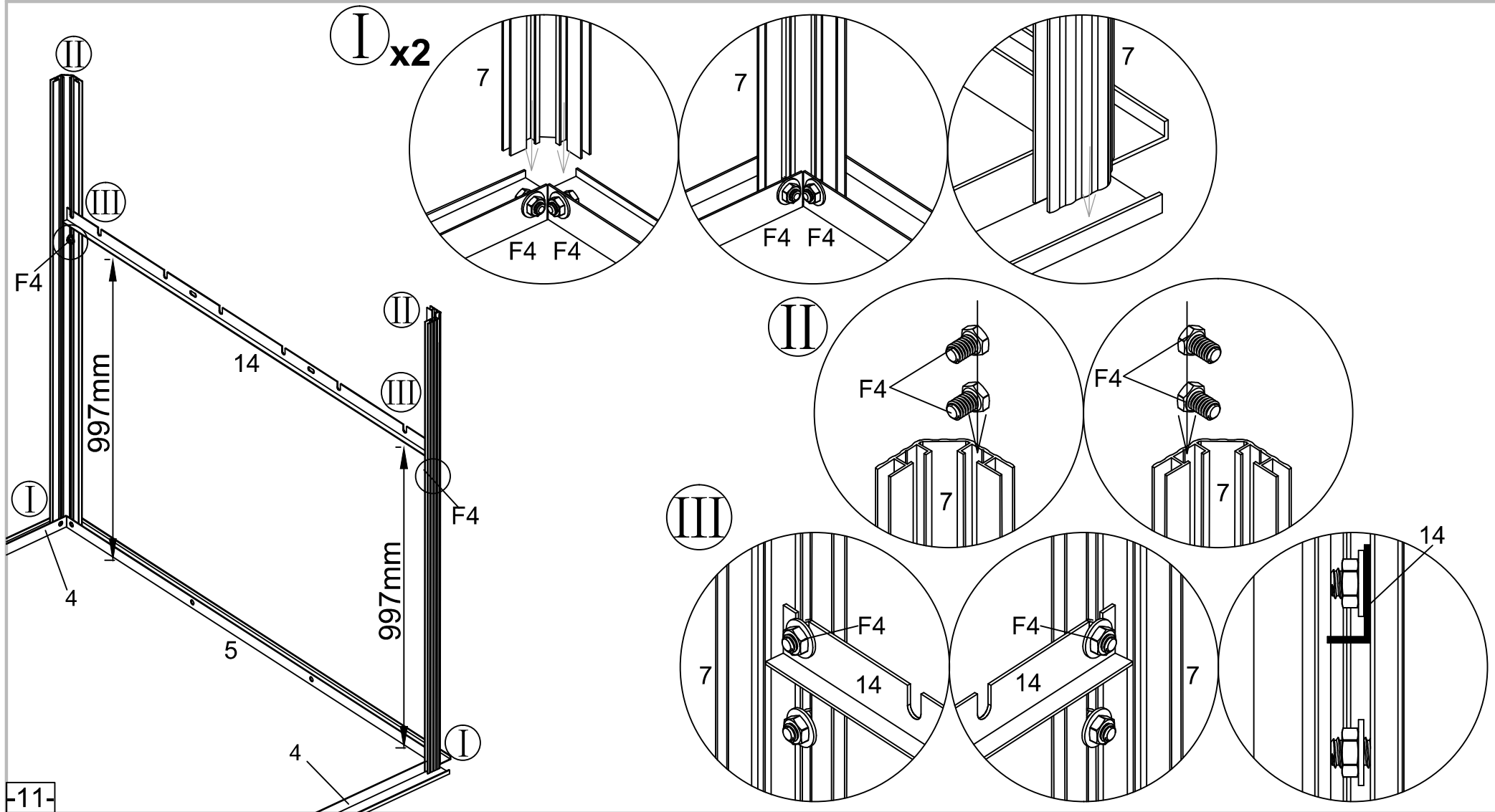
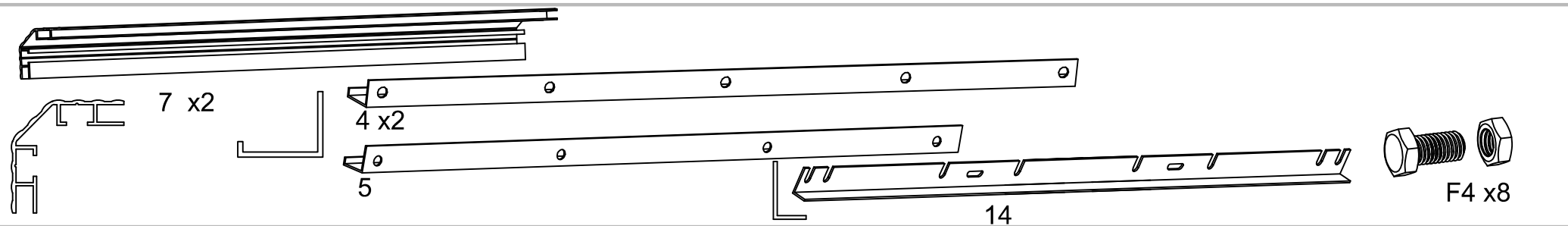
F2 will be easy to install by using lubricants



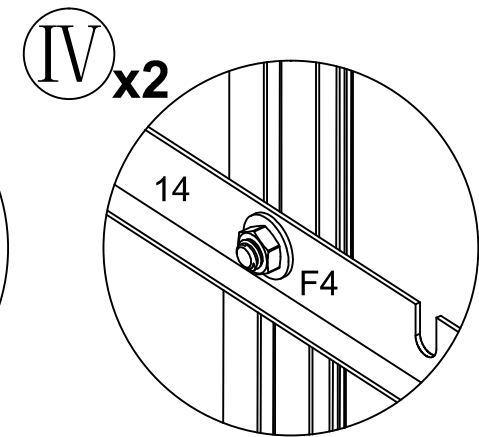
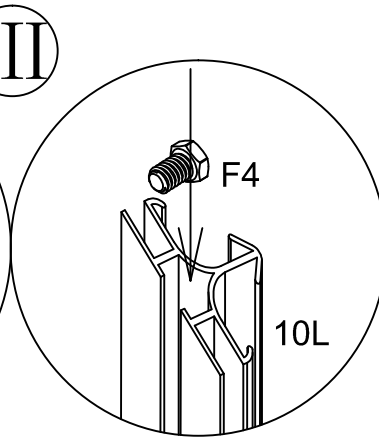
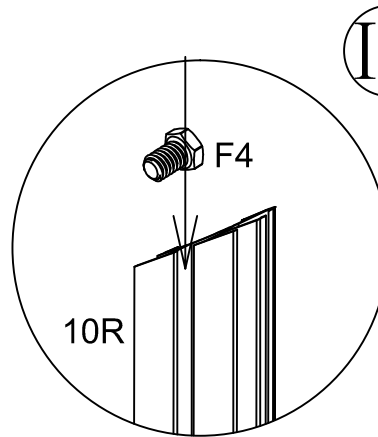
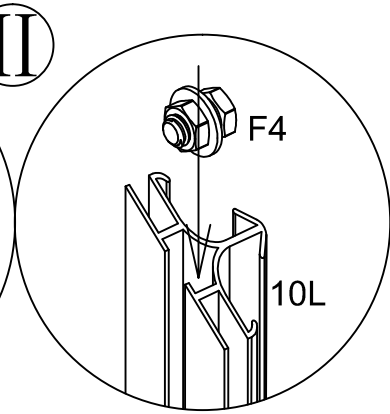
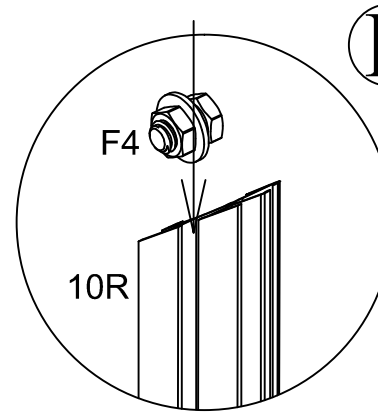
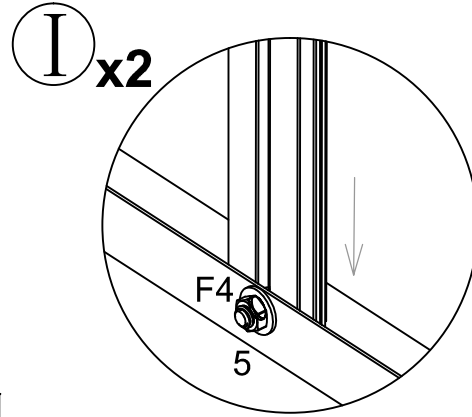
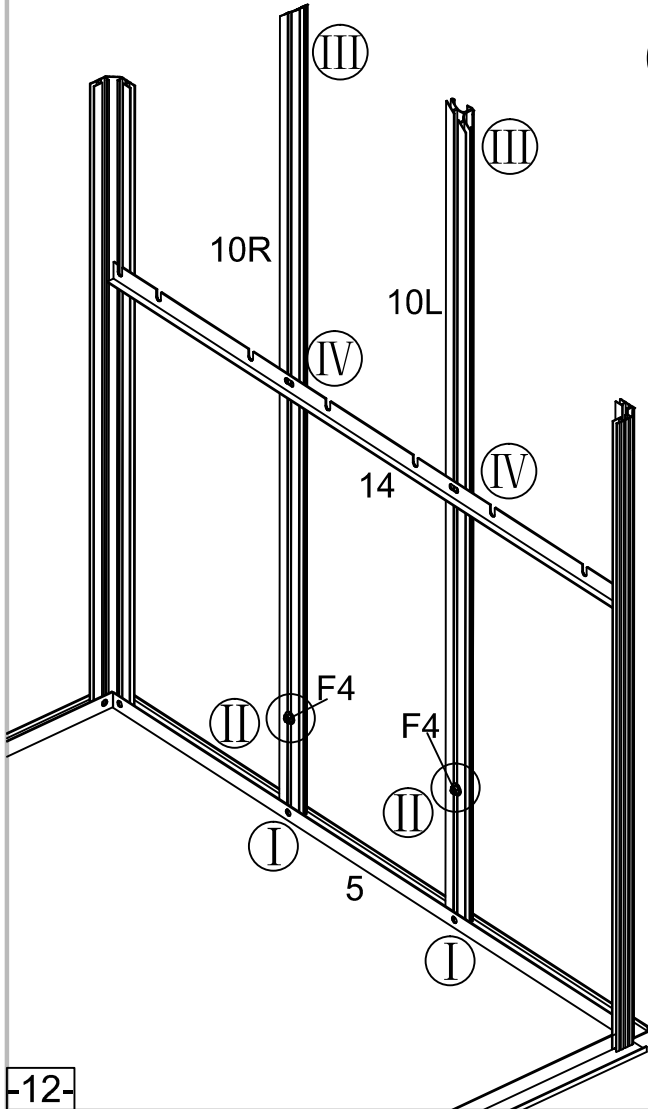
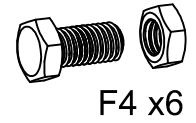
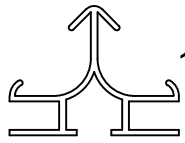


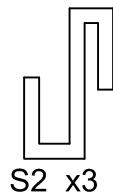
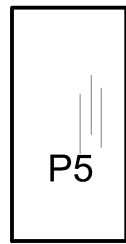
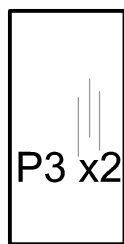
Use hands to tighten the screws F4 cannot slide.



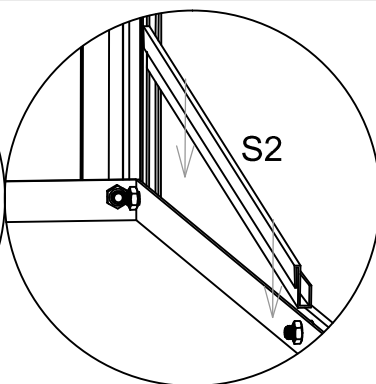
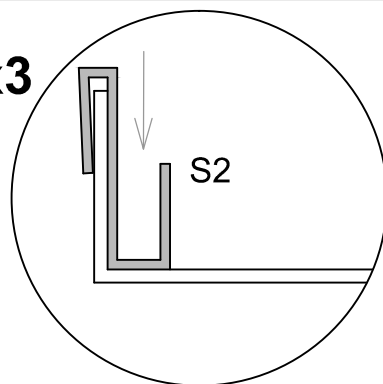


BACK WALL

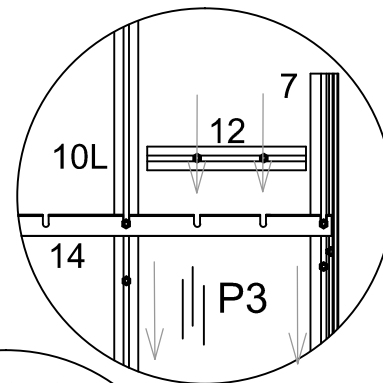
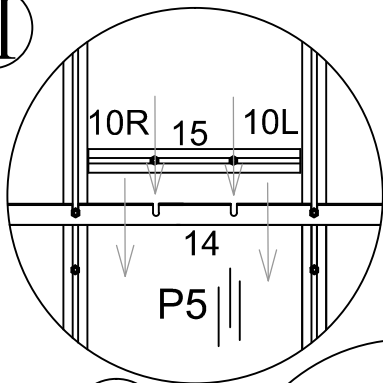
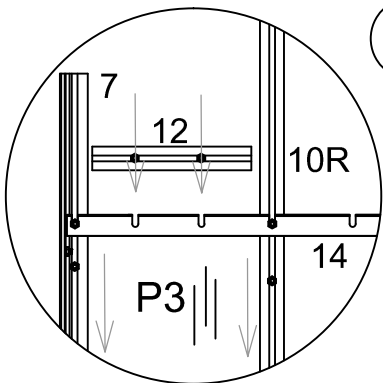




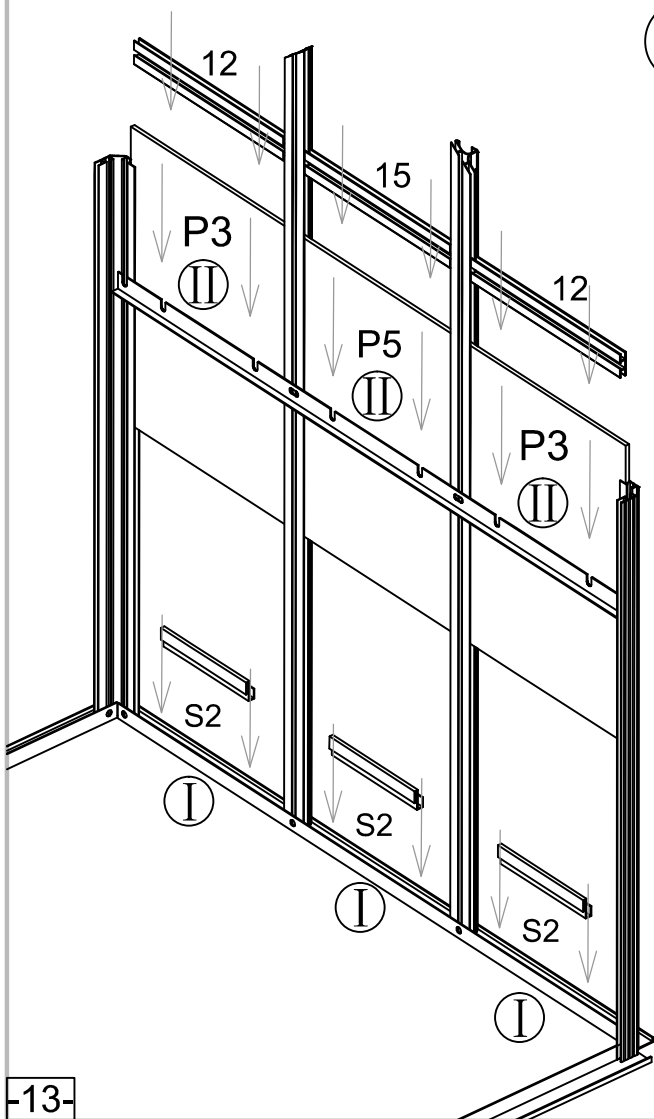
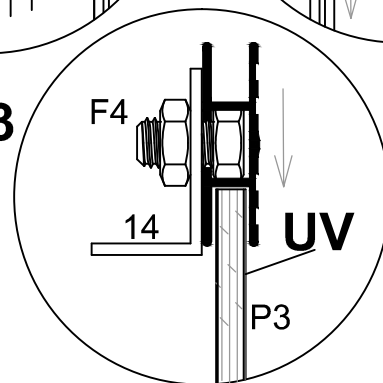
I x3



II

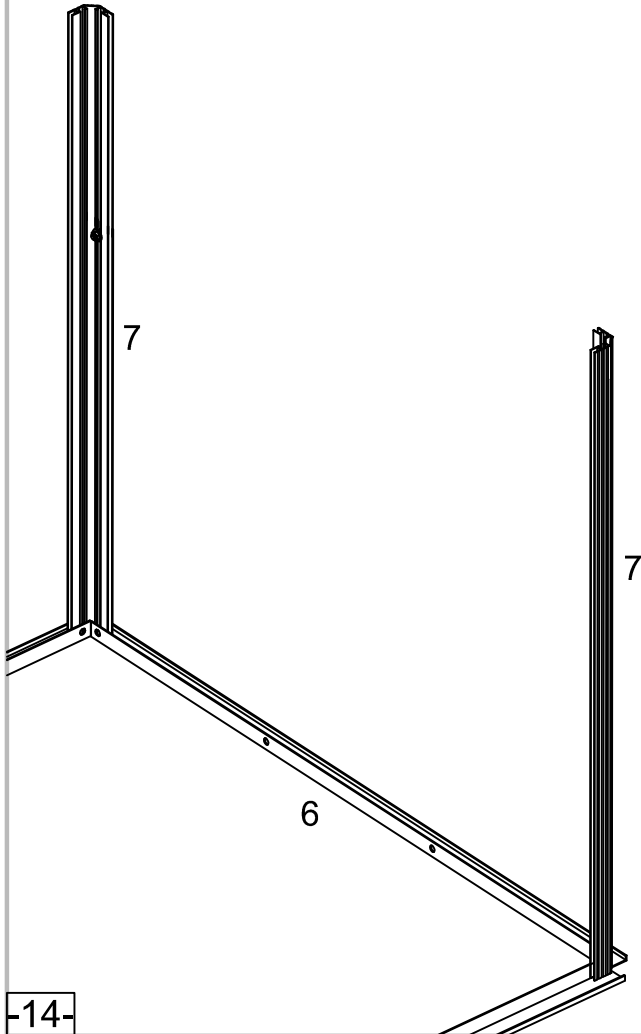
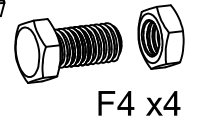
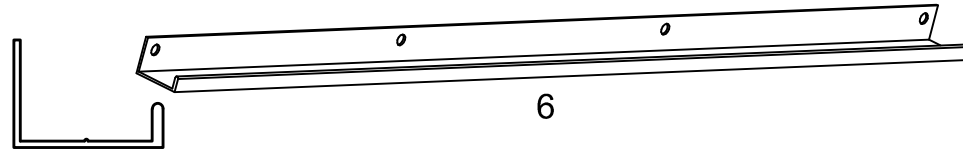


III x3

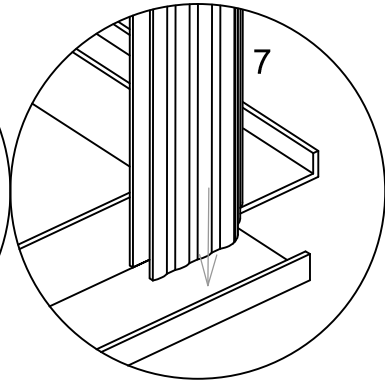
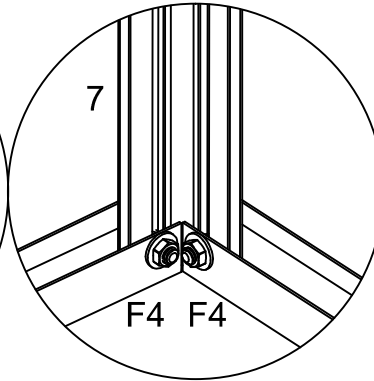
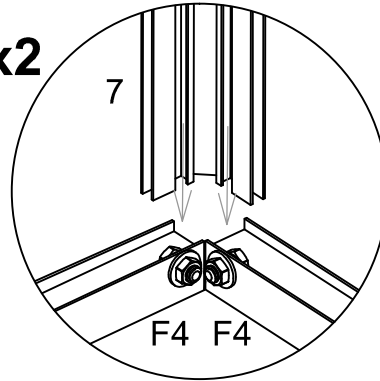


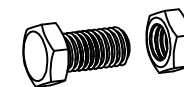
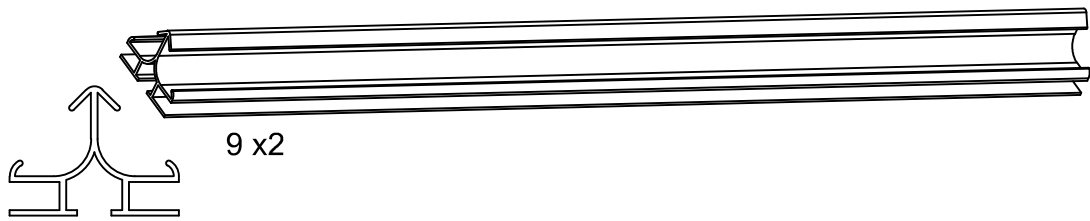
Fix the back wall temporarily with a ladder to prevent the back wall from being blown down by the wind.

FRONT WALL

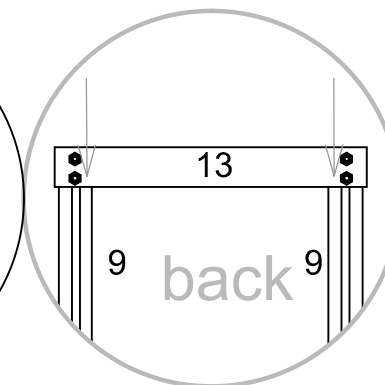
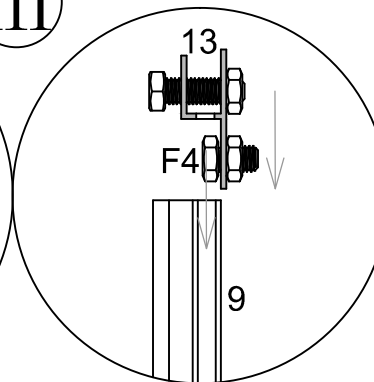
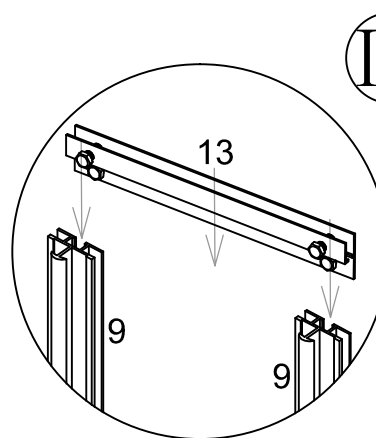
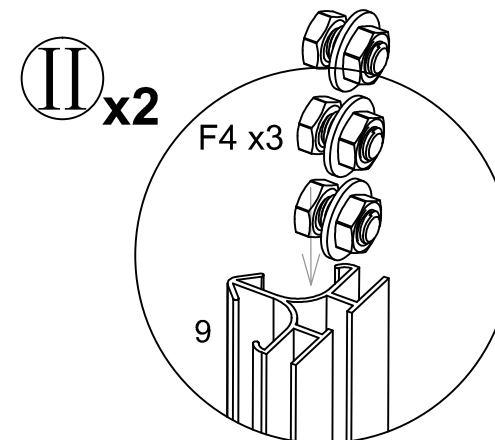
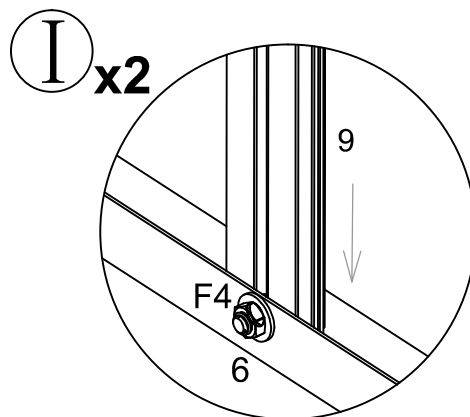
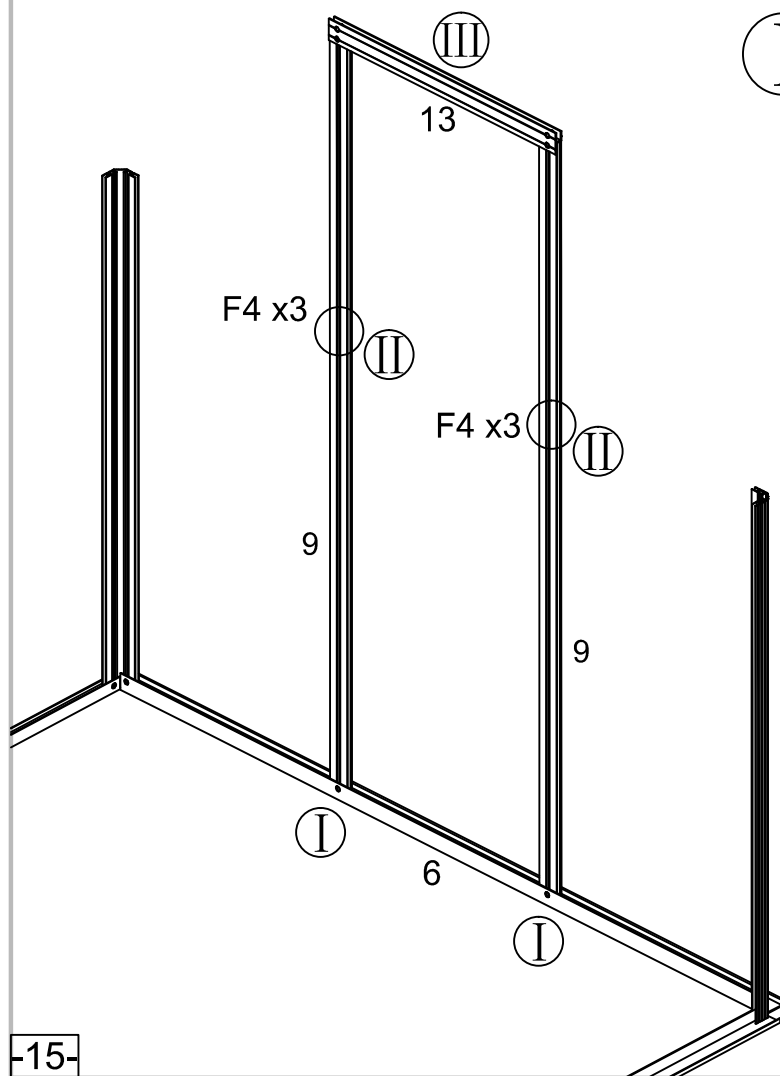


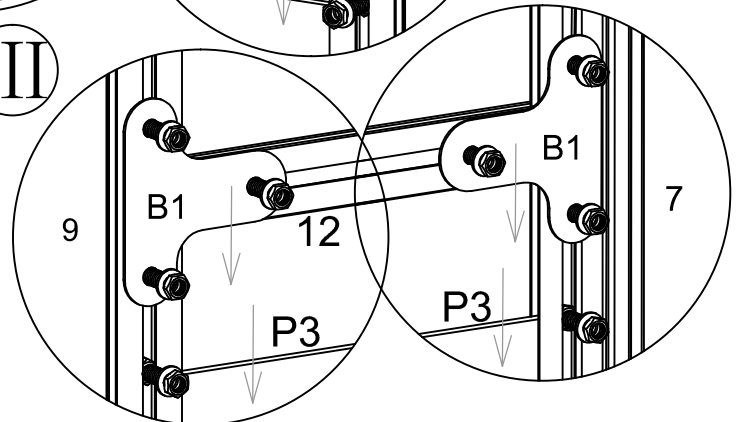
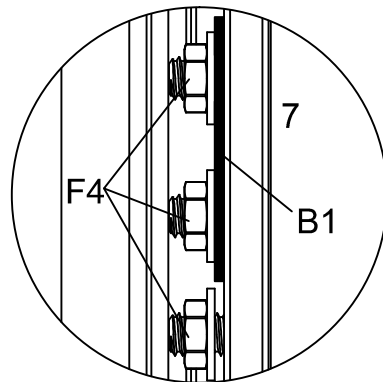
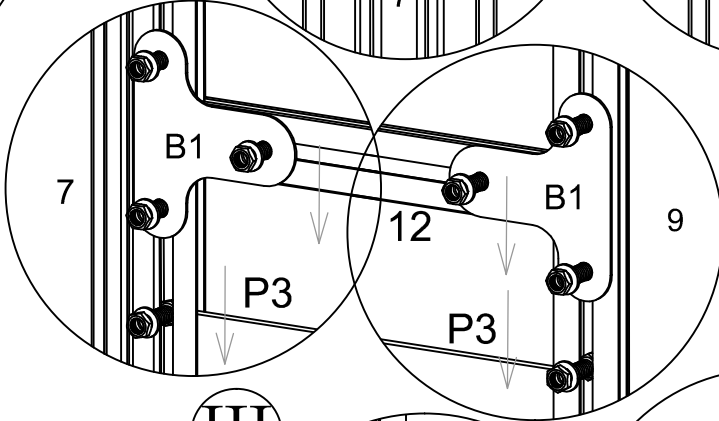
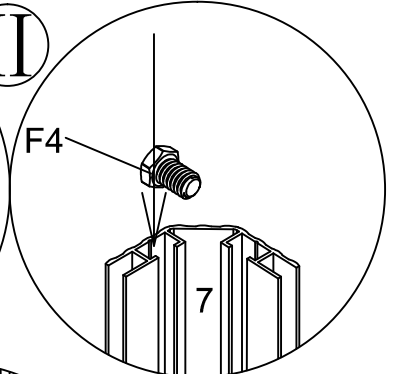
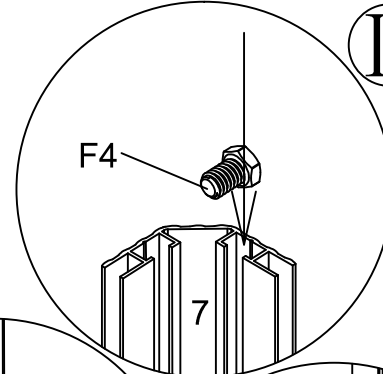
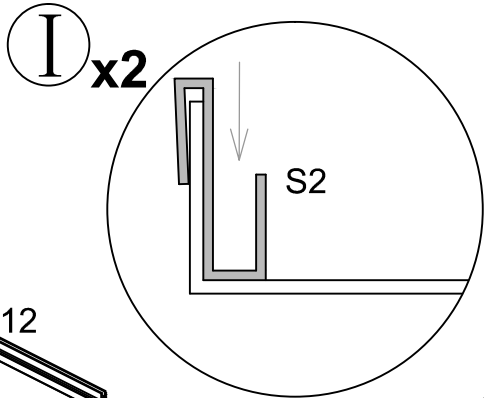
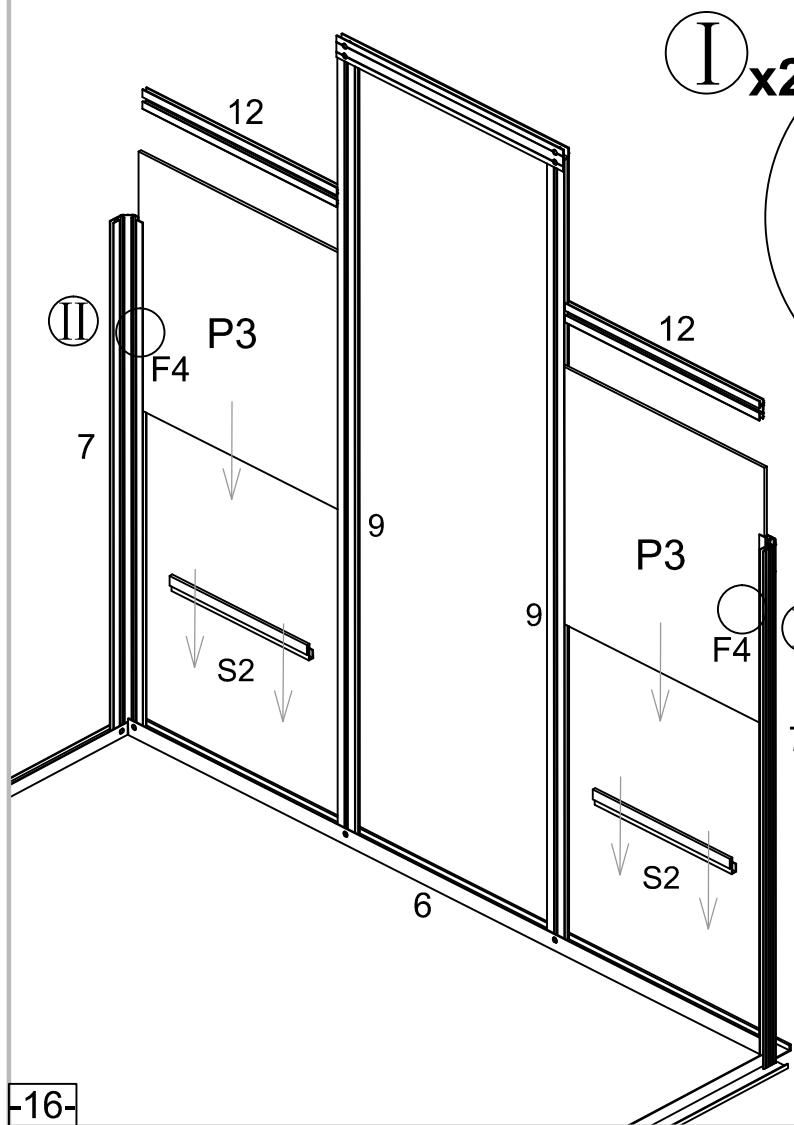
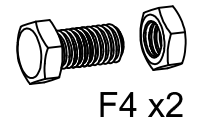
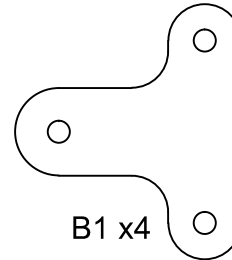
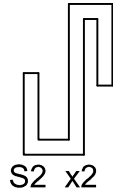
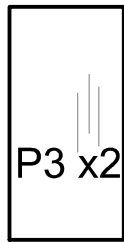
x2



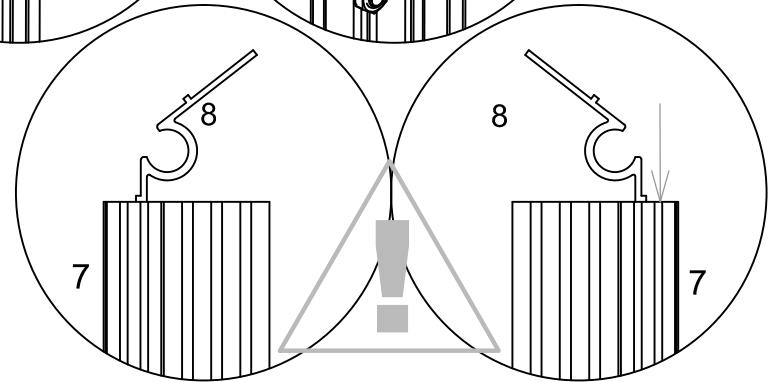
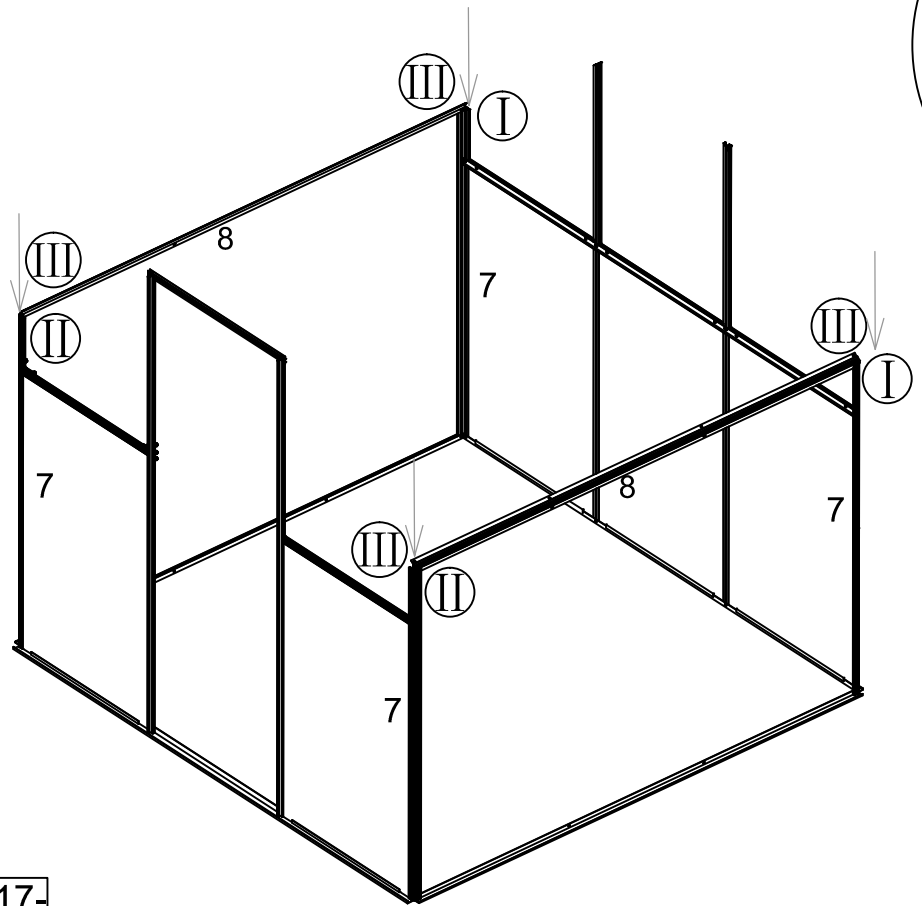
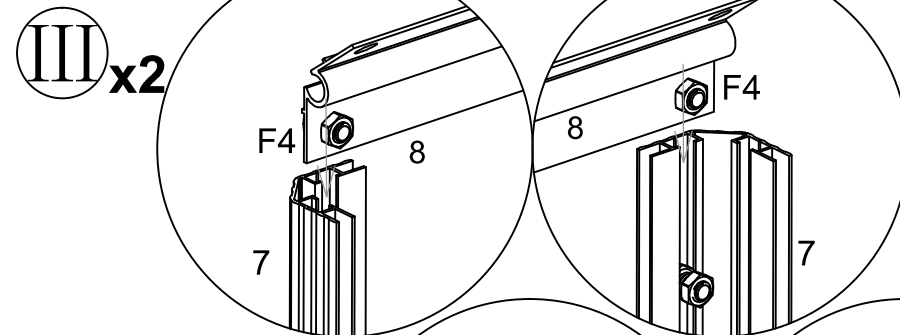
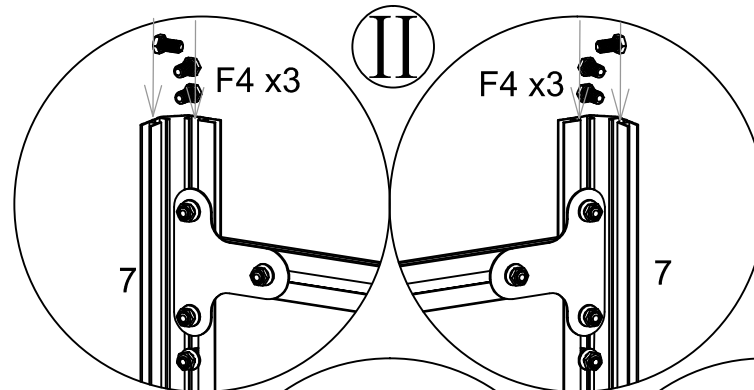
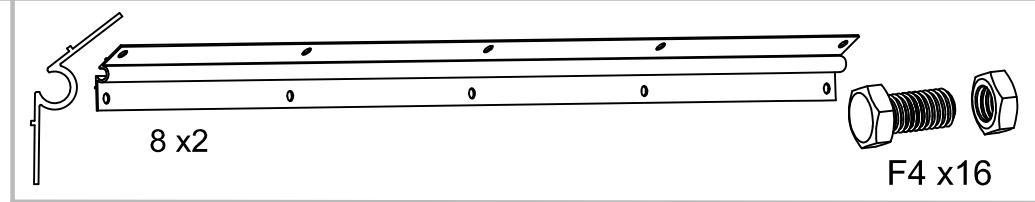
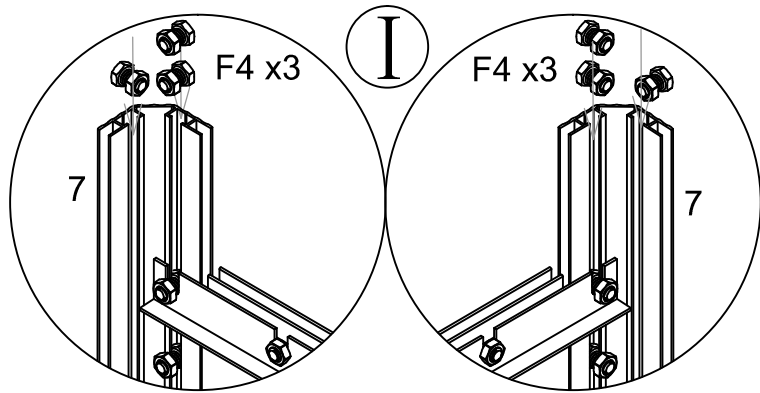


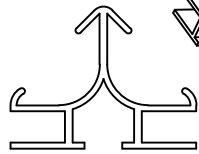
F4 x 8



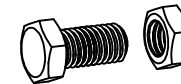


LEFT AND RIGHT WALL

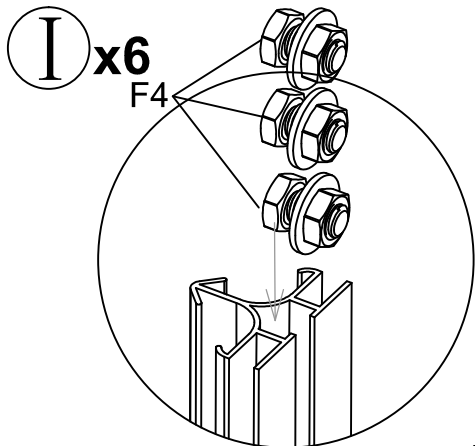




19 x 6

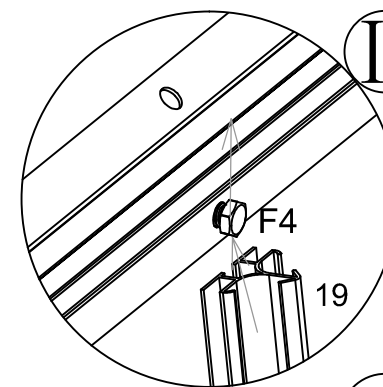


F4 x 30



I x6

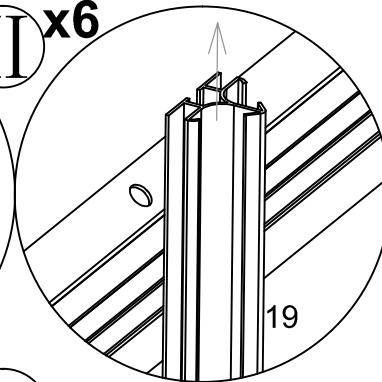
F4



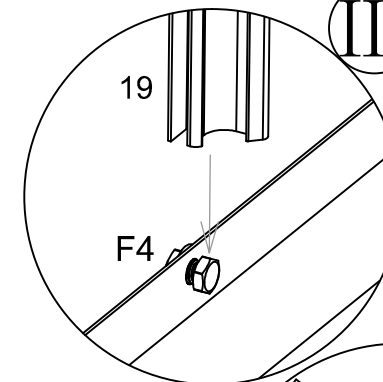
II x6

F4

19



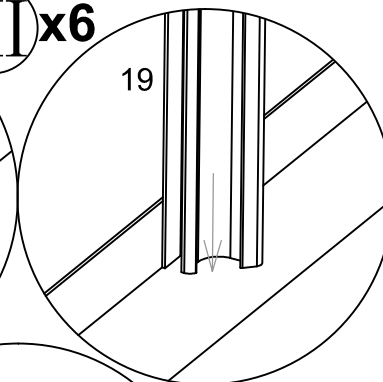
19



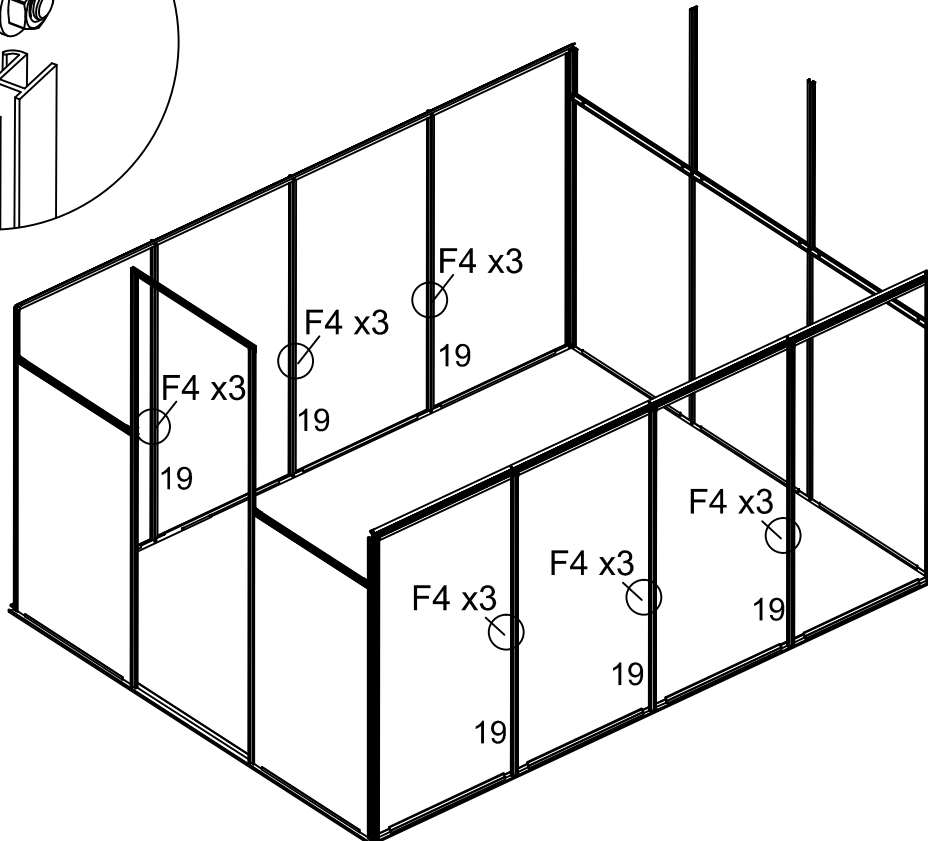
19

F4

III x6



19



F4 x 3

19

F4 x 3

19

F4 x 3

19

F4 x 3

19

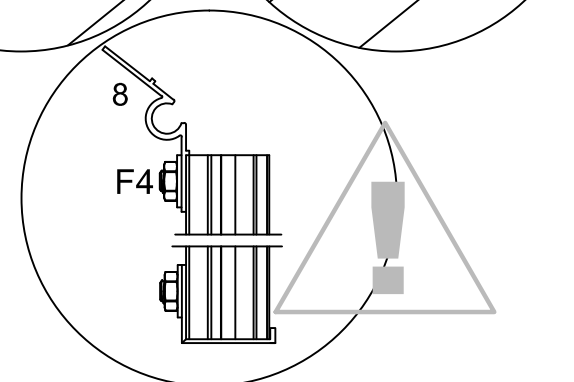
F4 x 3

19

F4 x 3

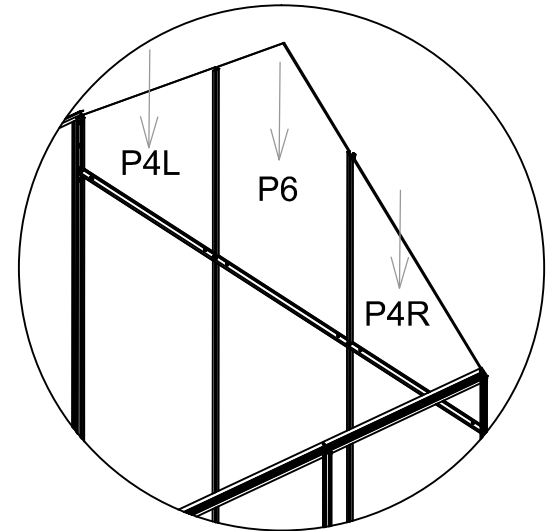
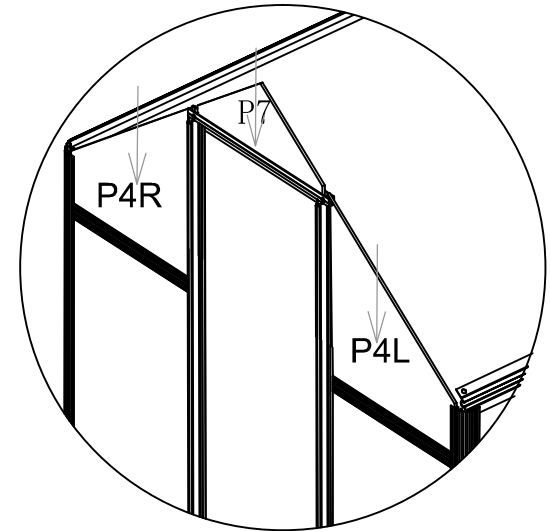
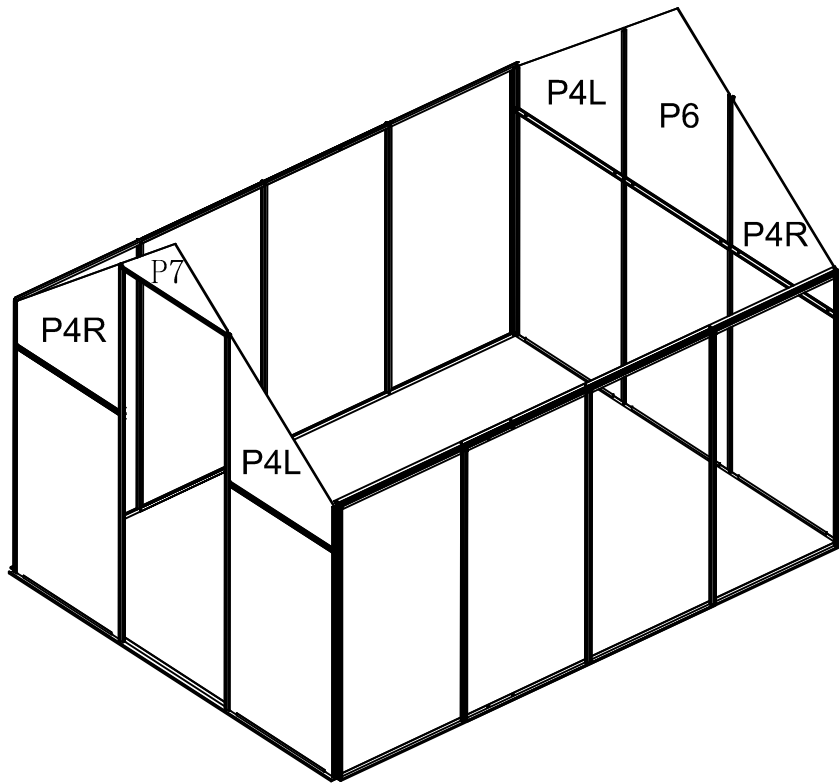
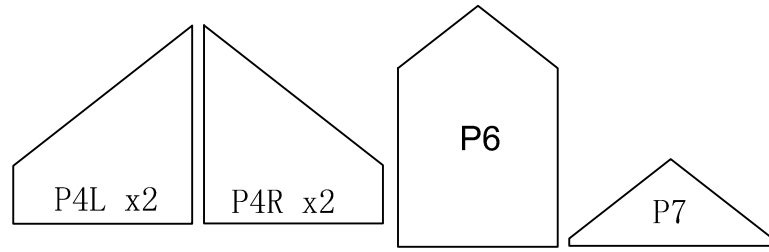
19

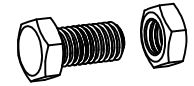
19



8

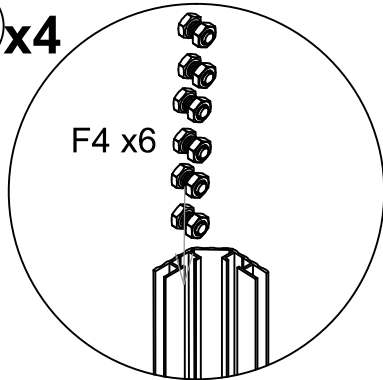
F4



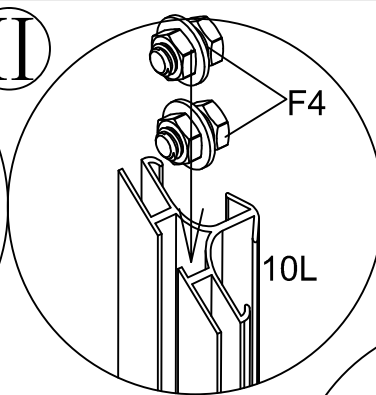
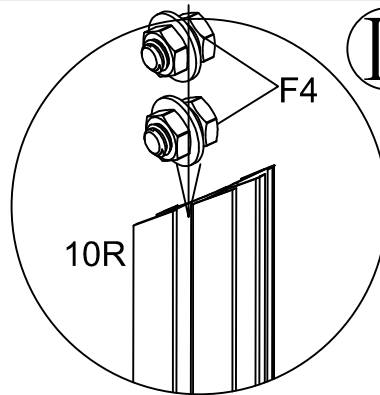


F4 x 32

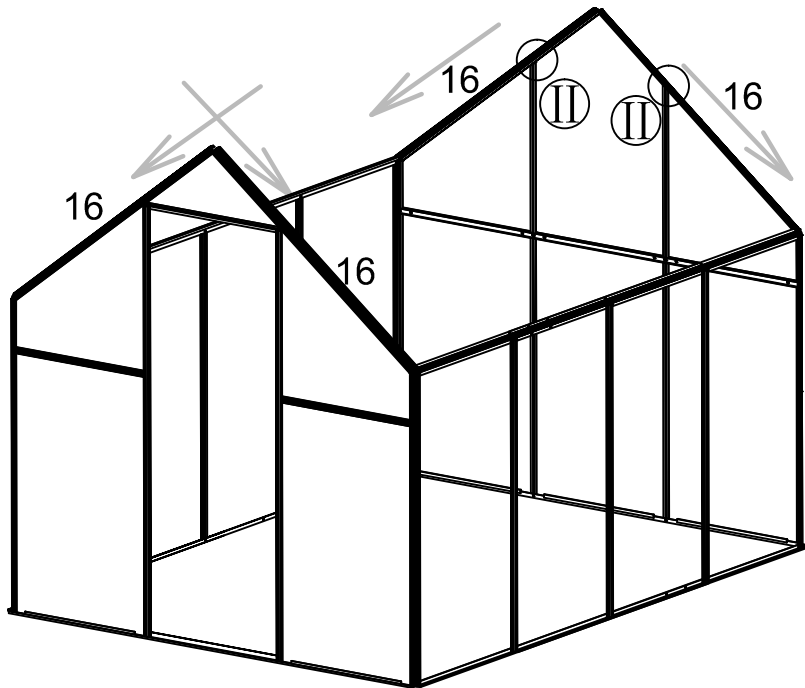
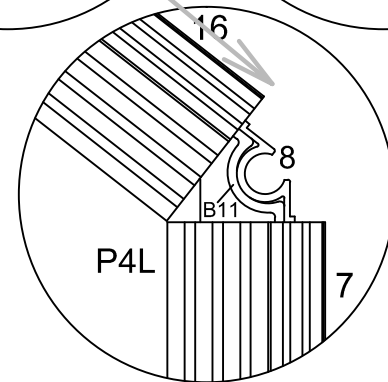
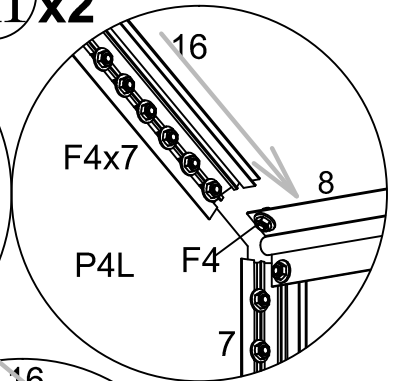
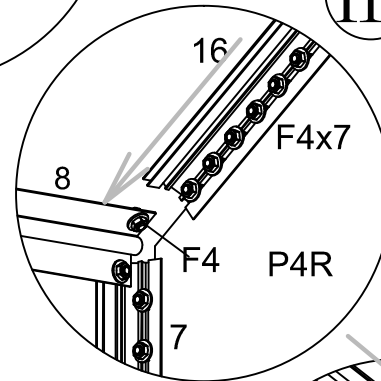
I x4

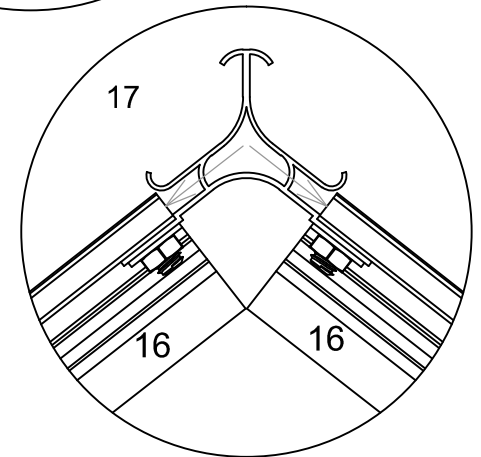
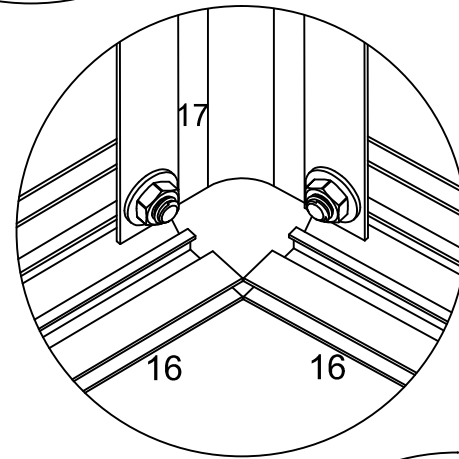
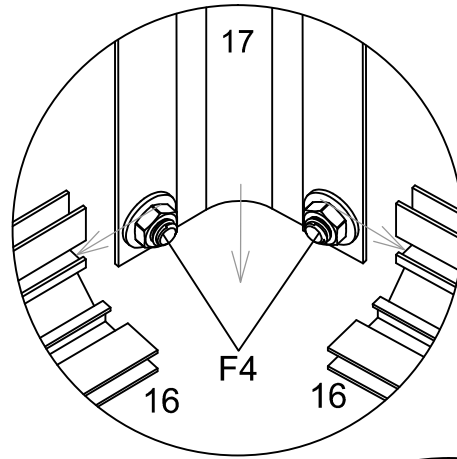
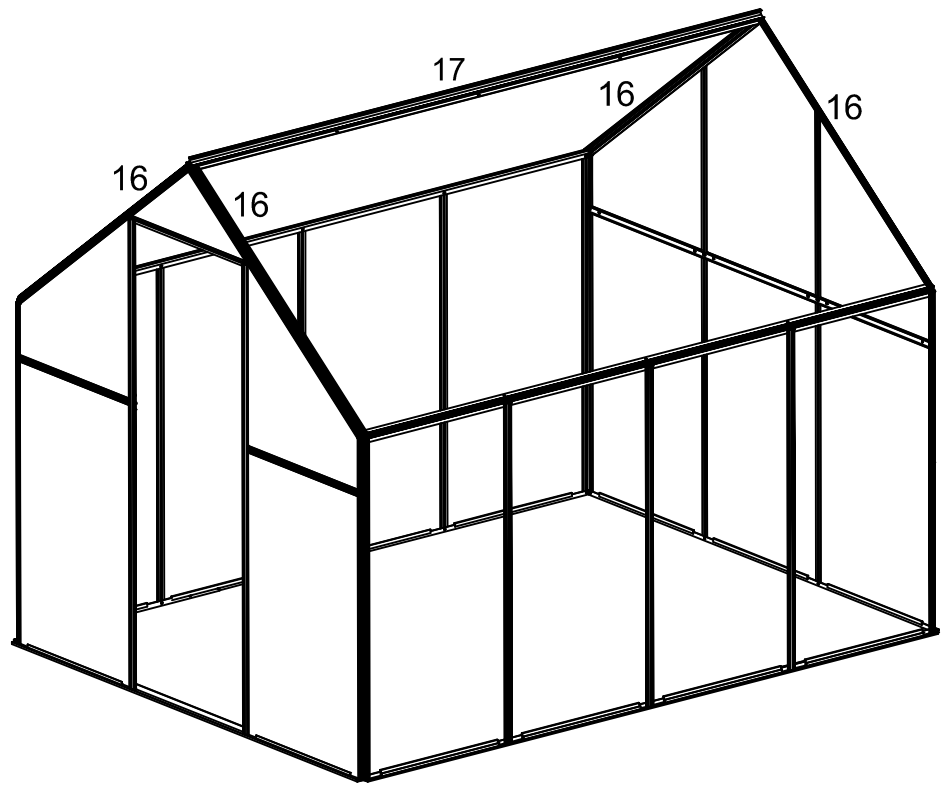
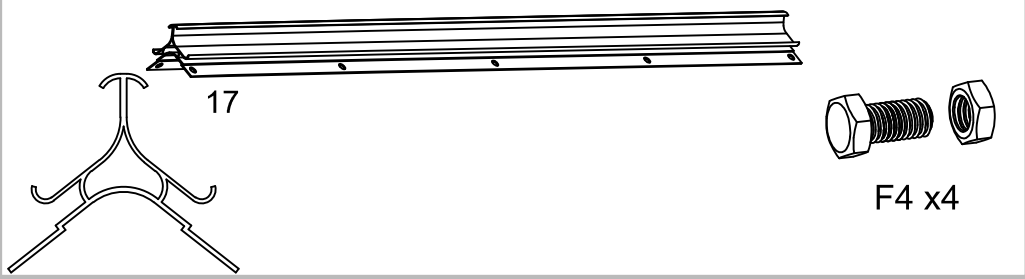


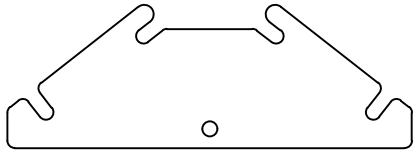
II



III x2



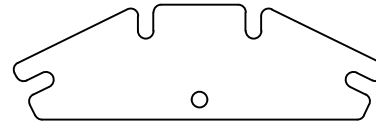




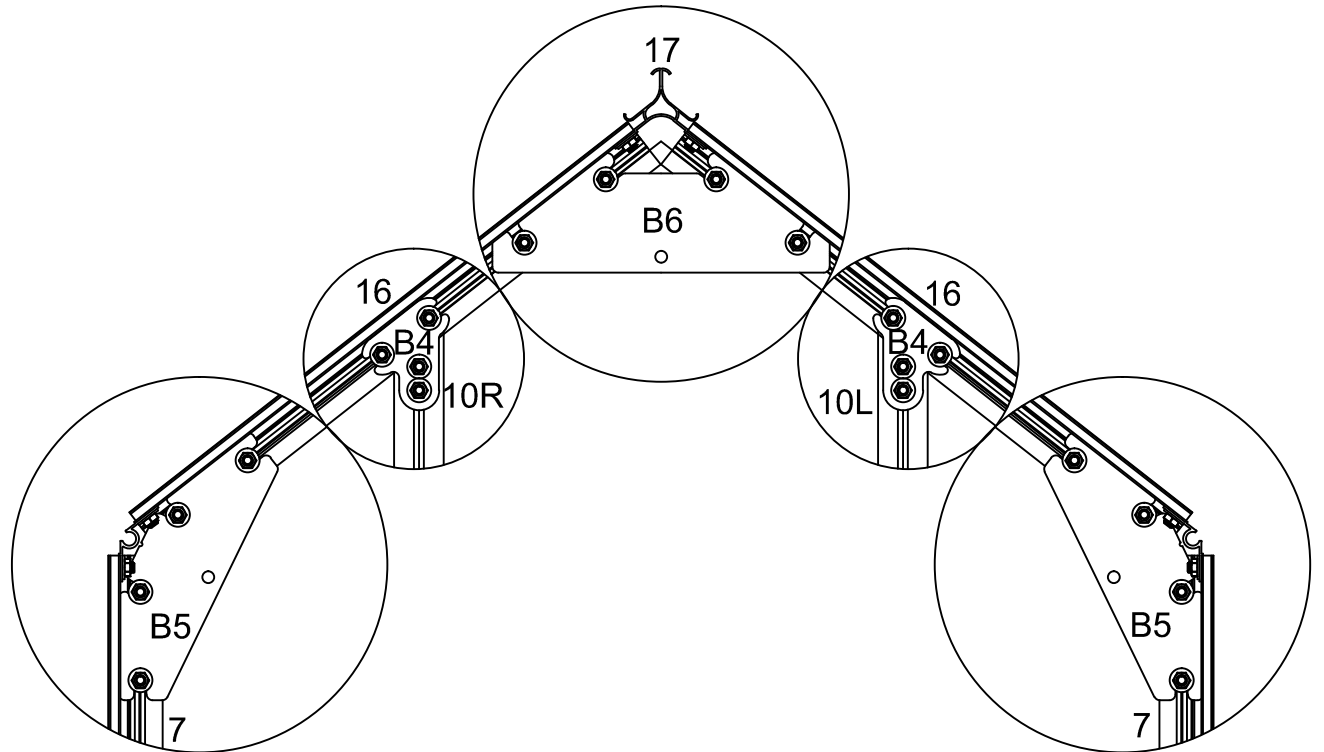
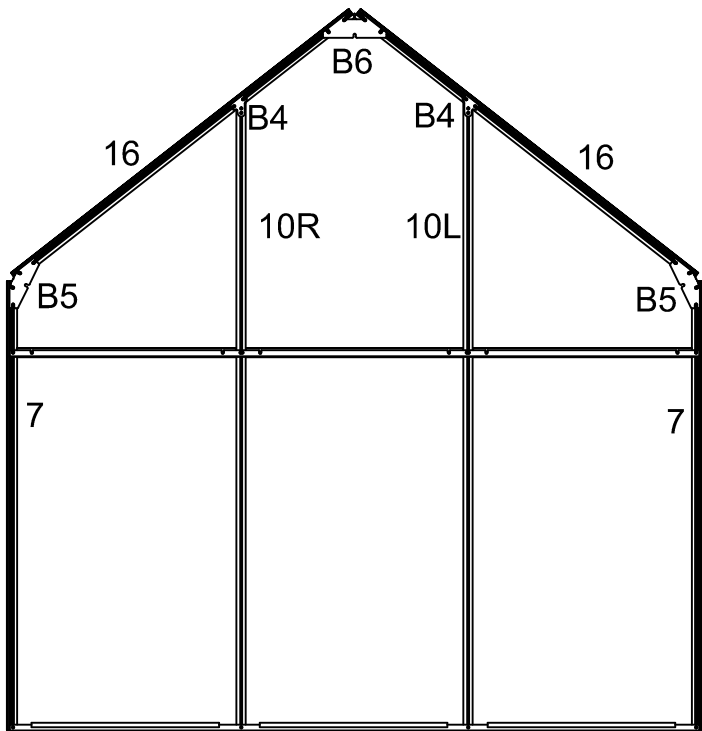
B6

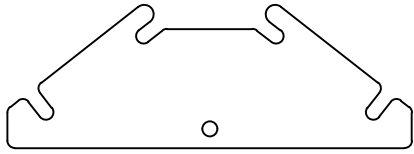


B4 x2

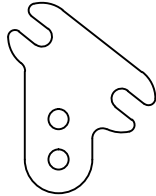


B5 x2

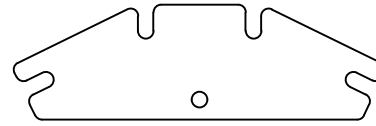




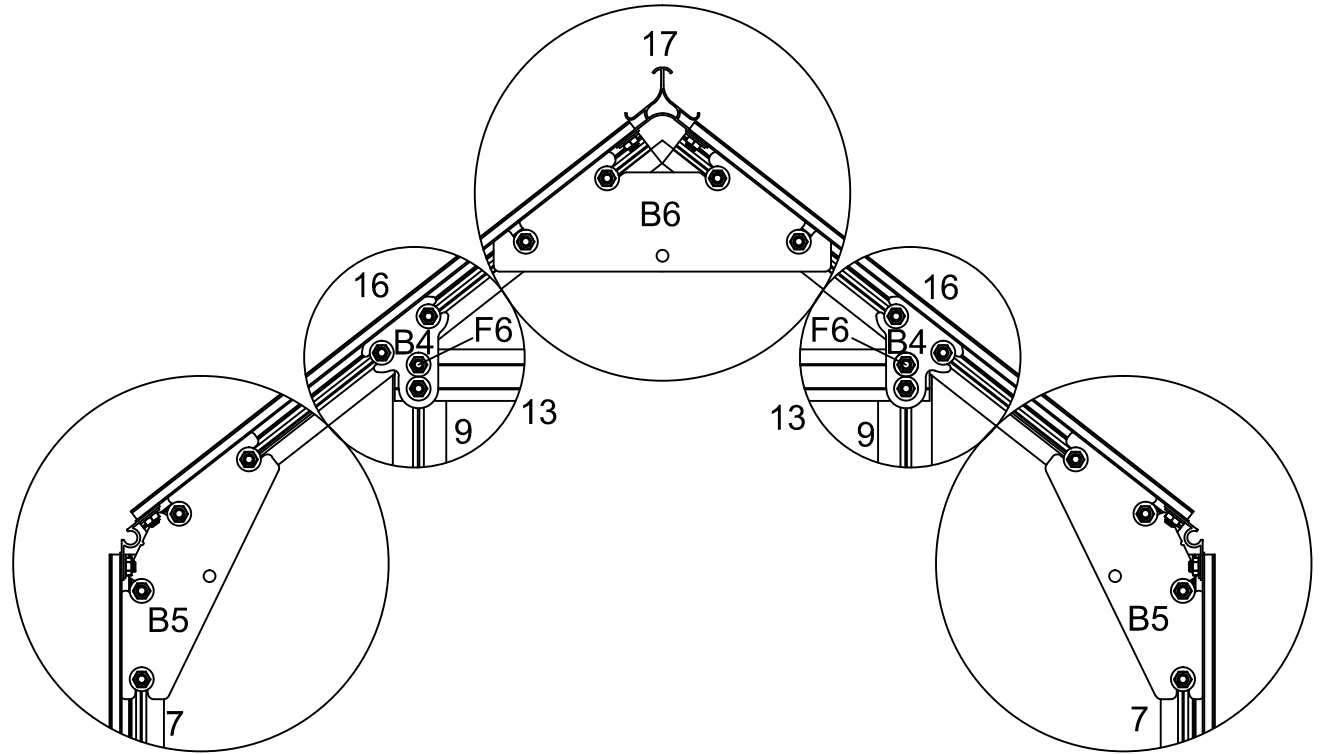
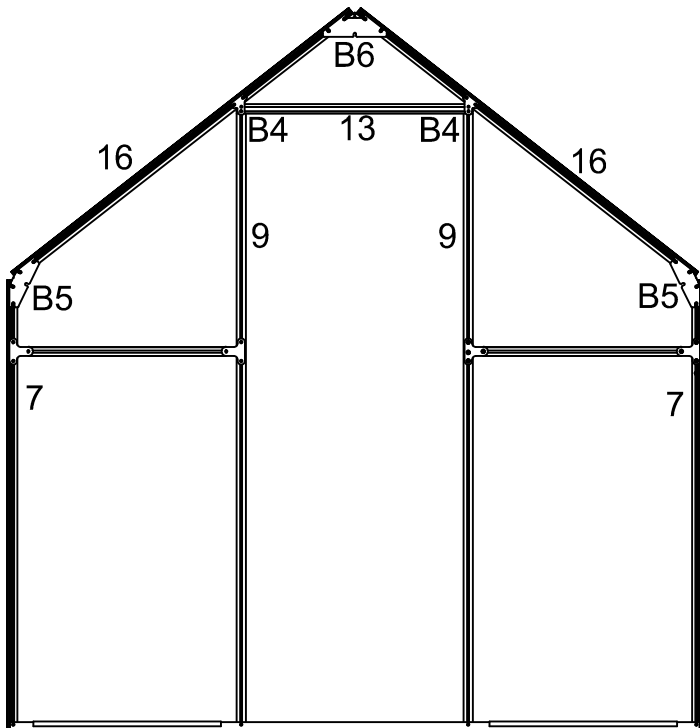
B6

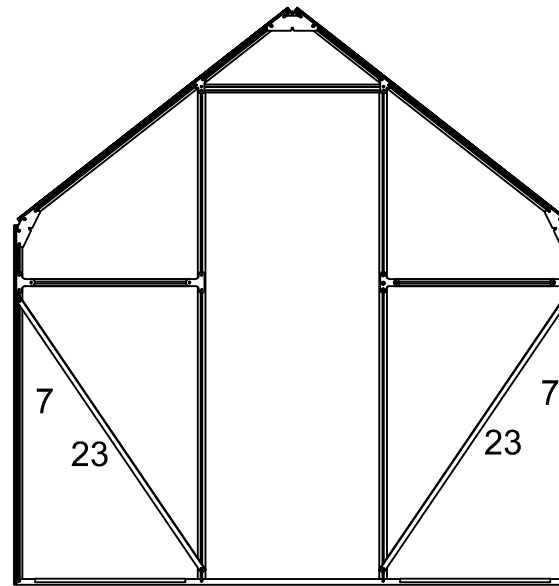
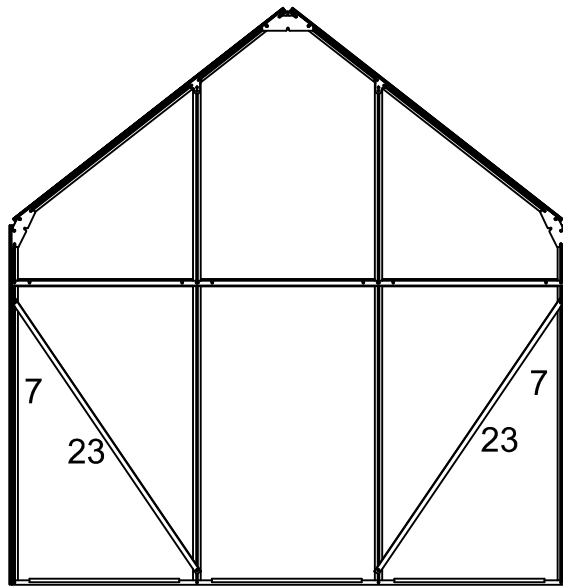
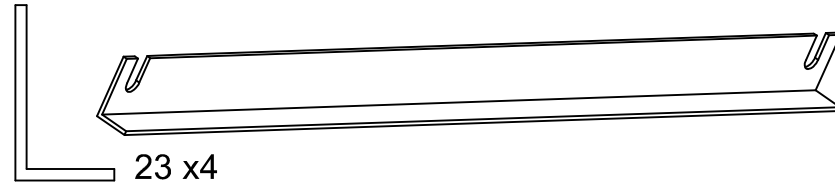


B4 x2

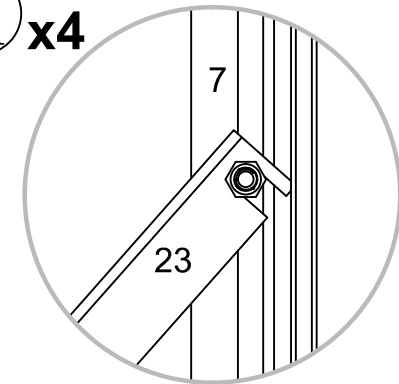


B5 x2

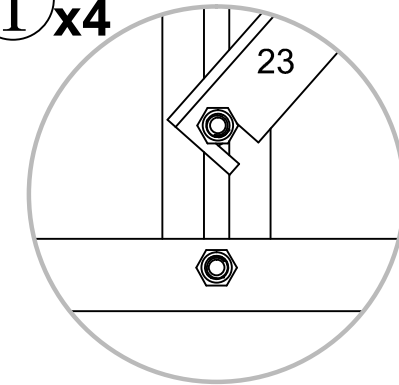


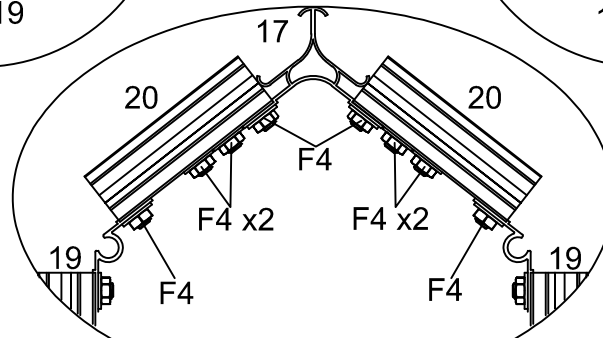
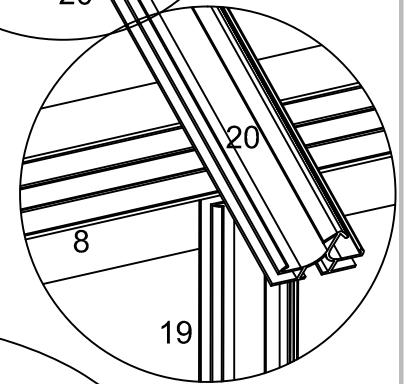
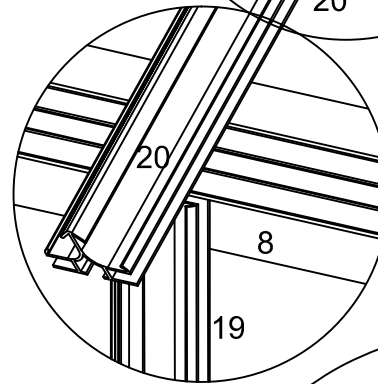
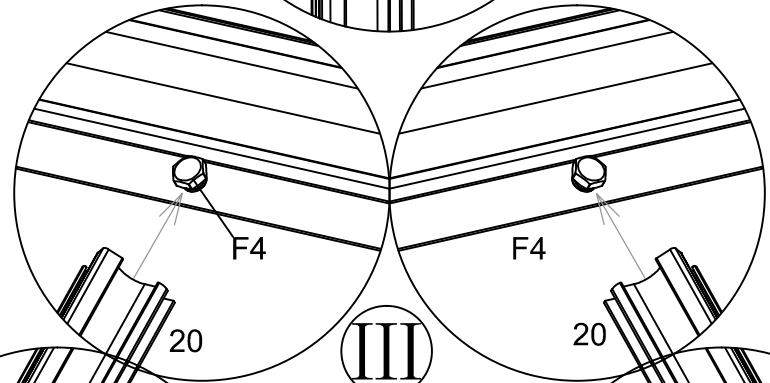
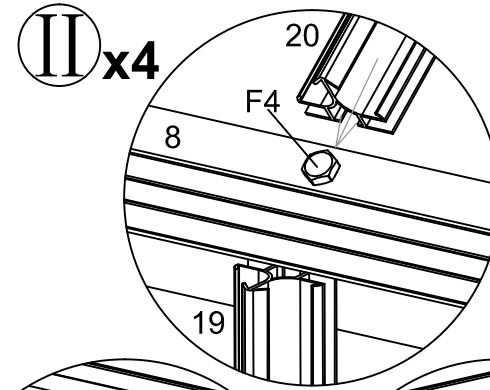
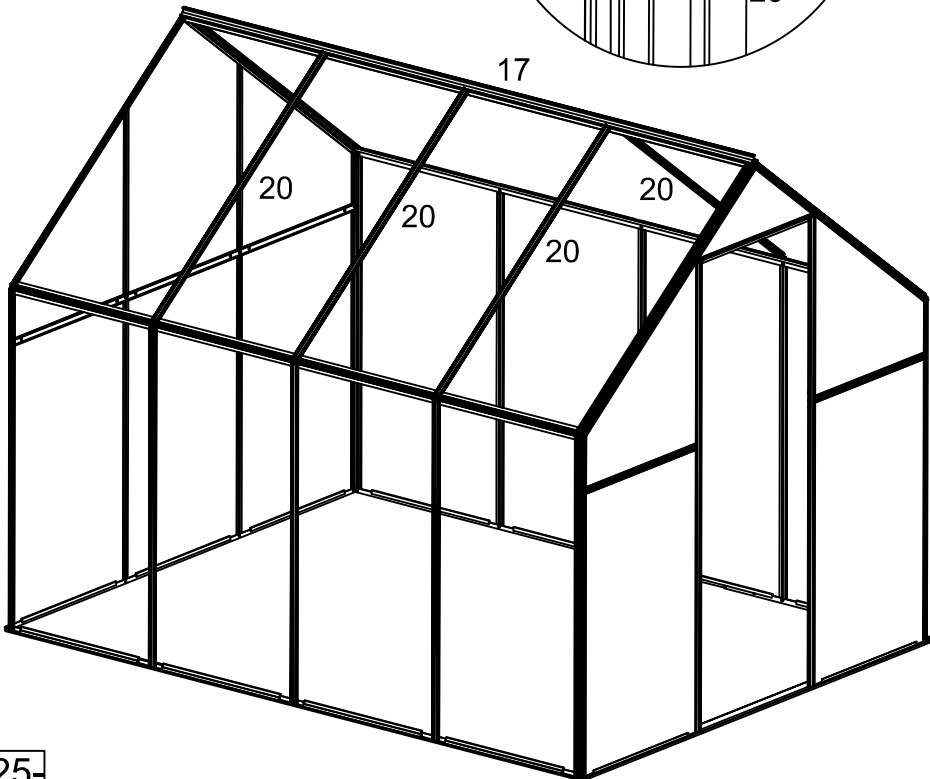
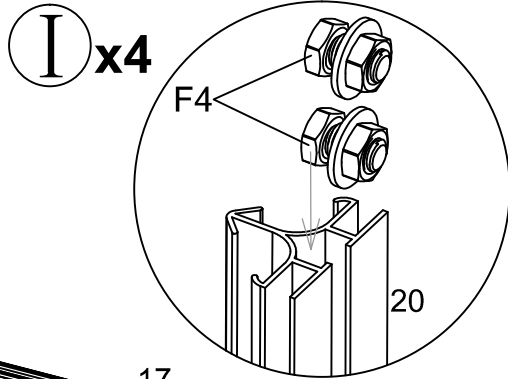
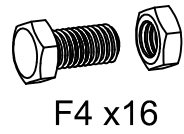
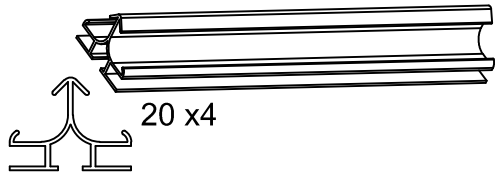


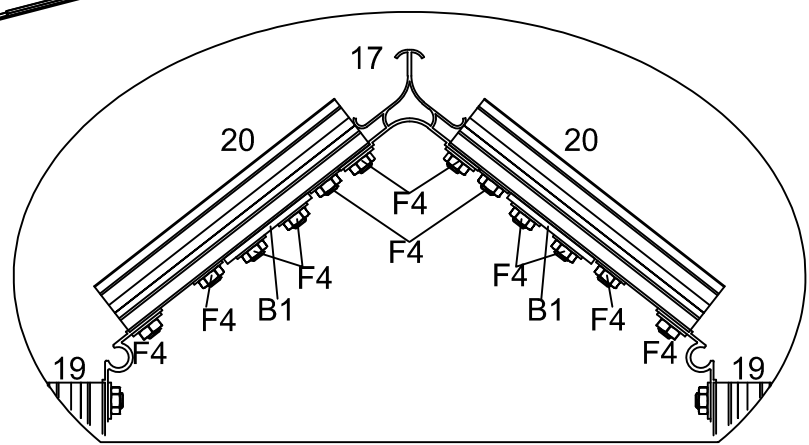
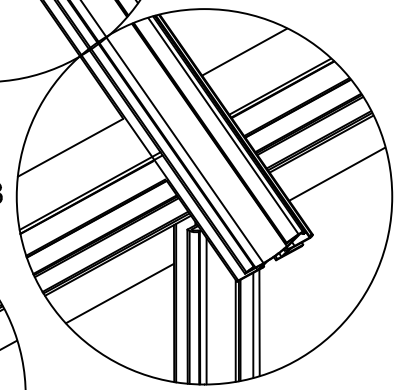
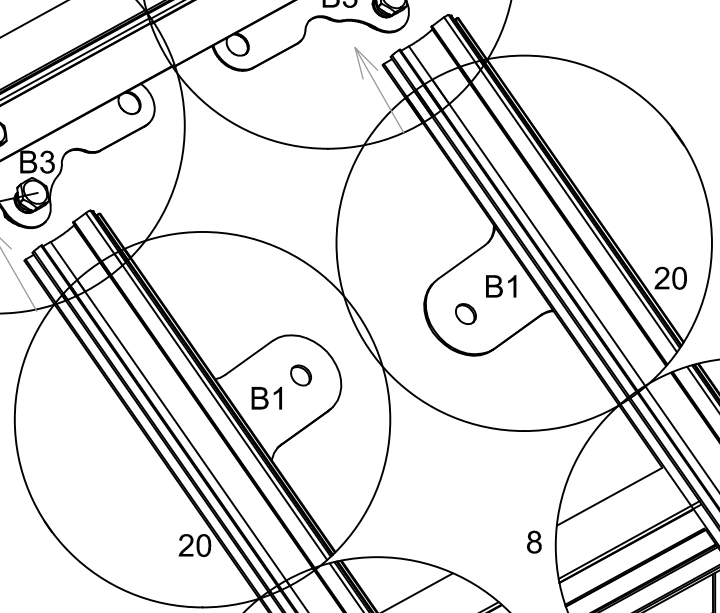
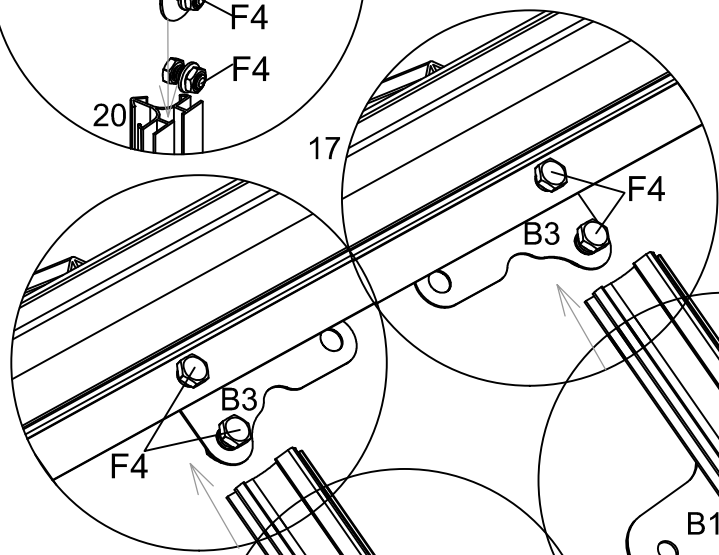
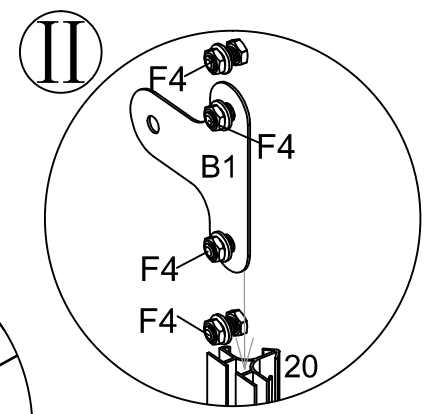
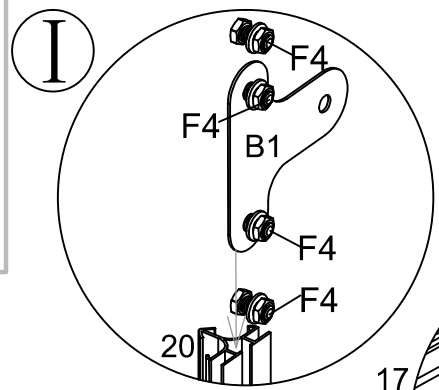
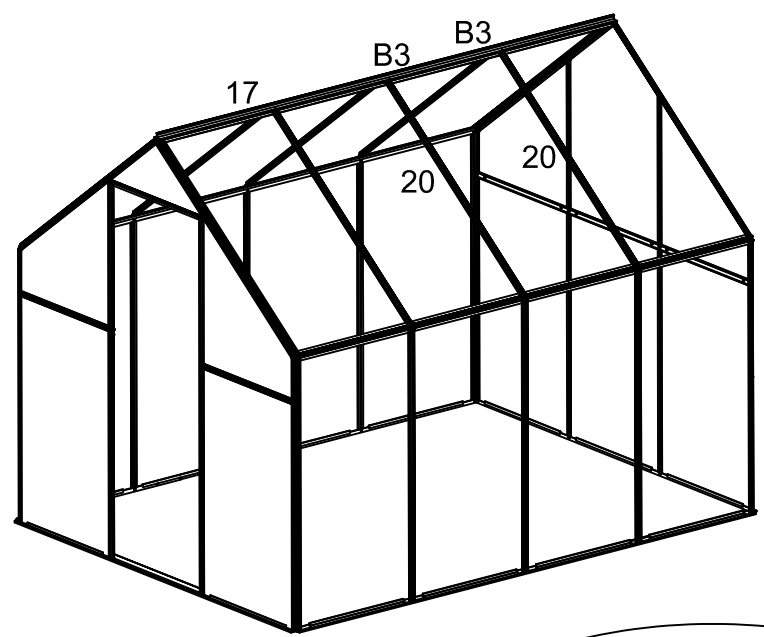
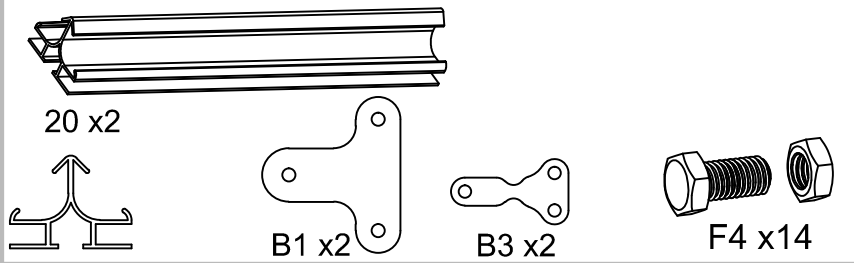
II x4

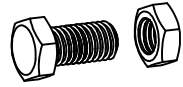


I x4



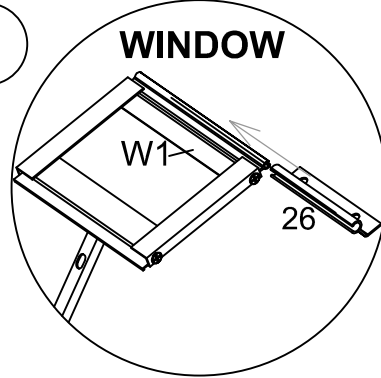




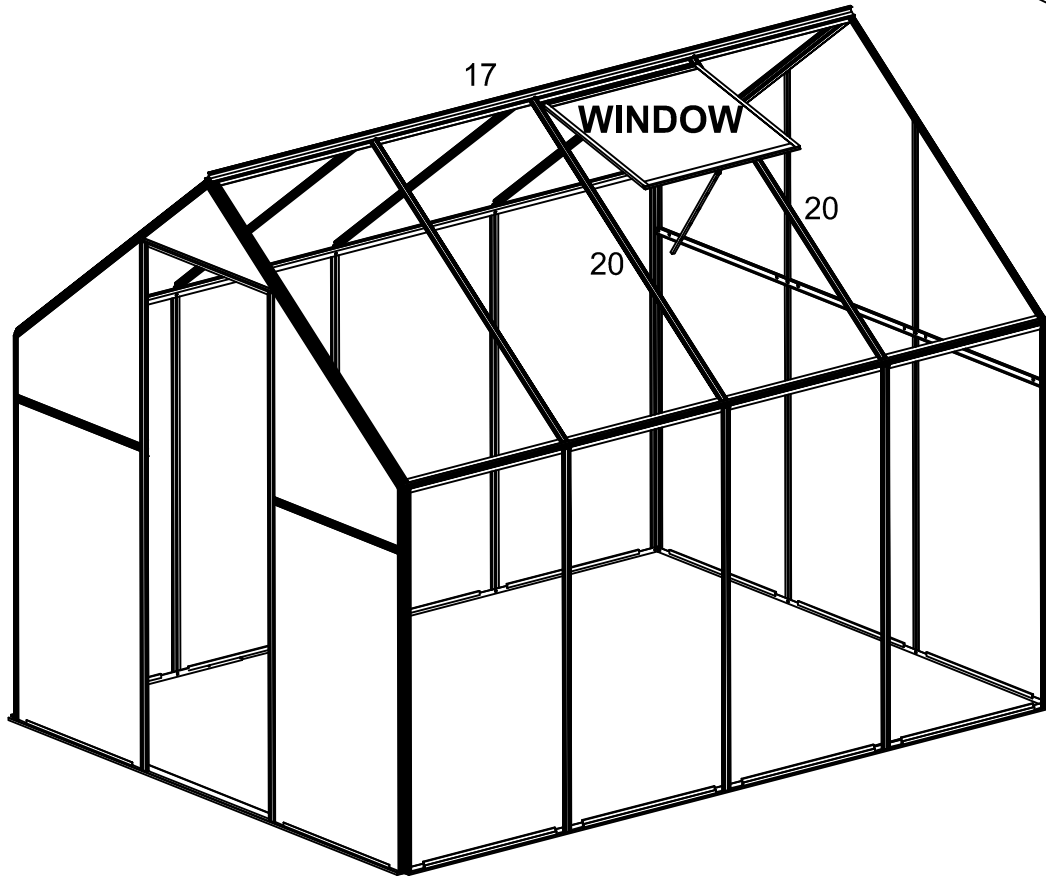
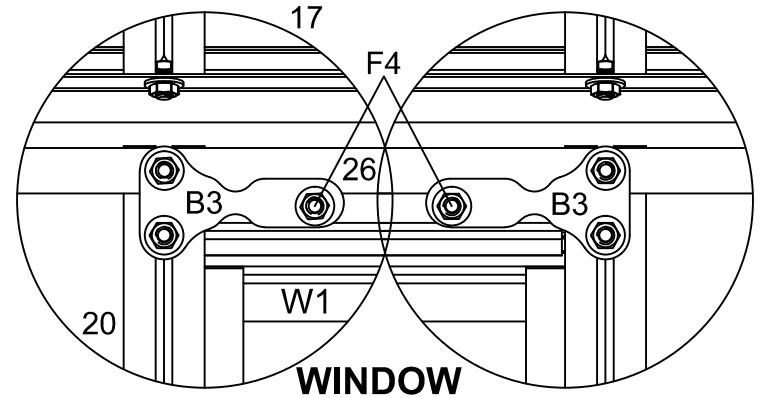
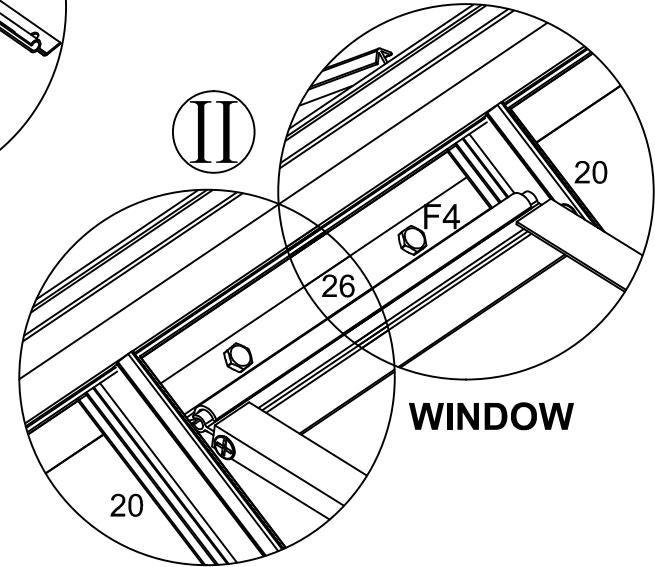


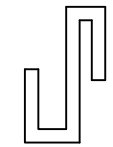
F4 x2

I

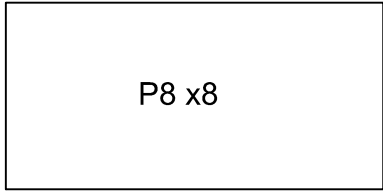


II

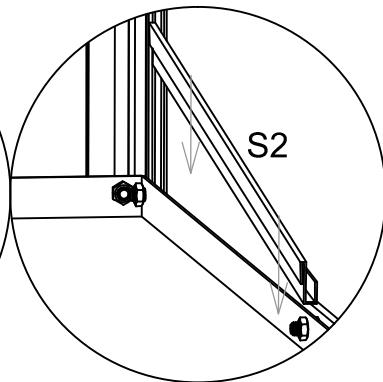
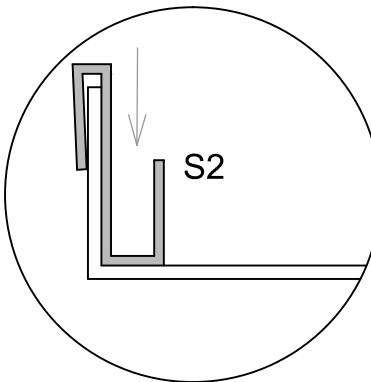
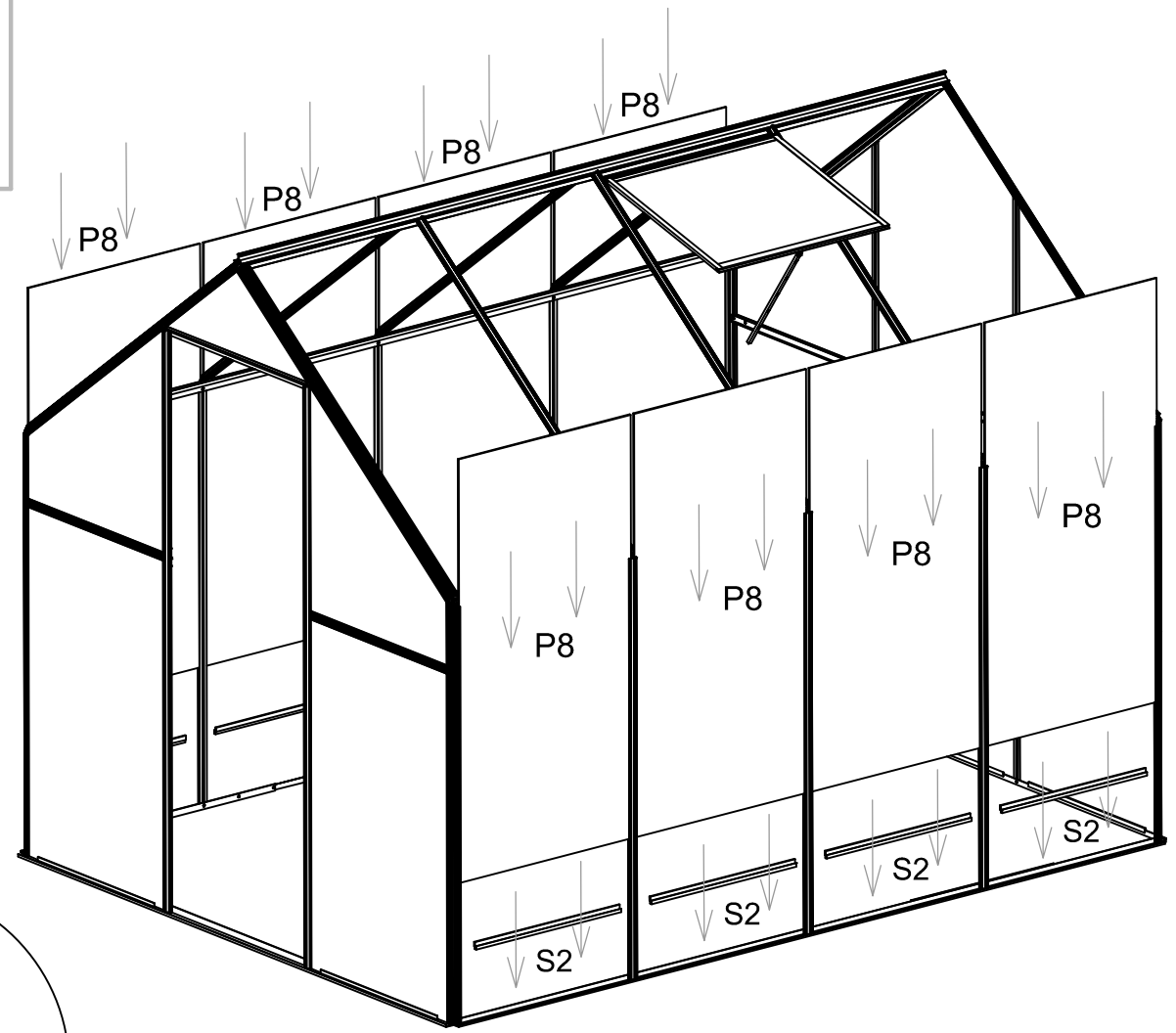




S2 x8

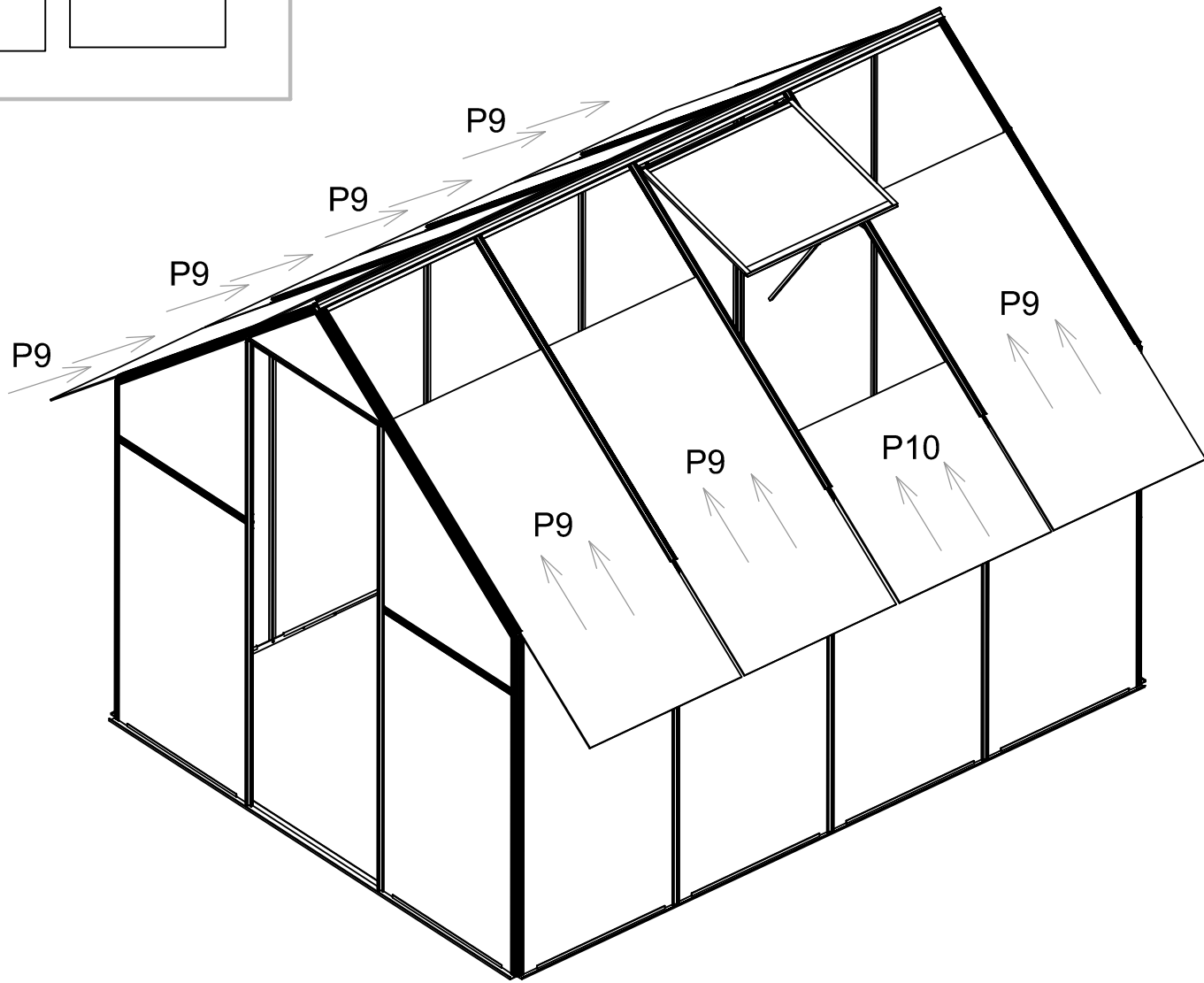


P8 x8



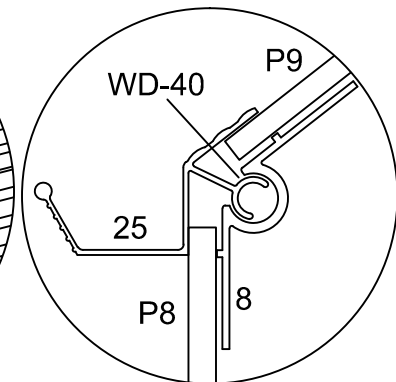
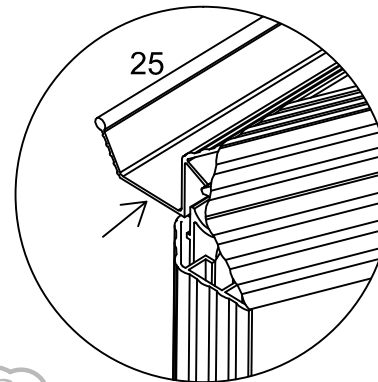
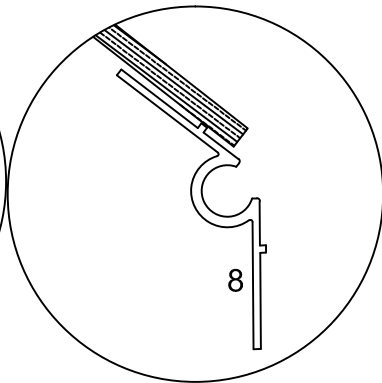
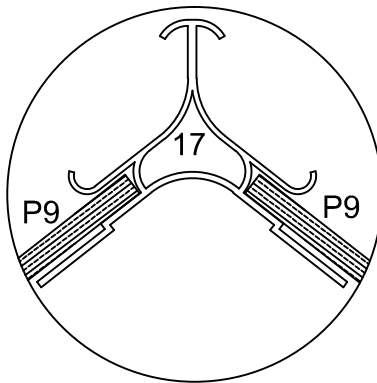
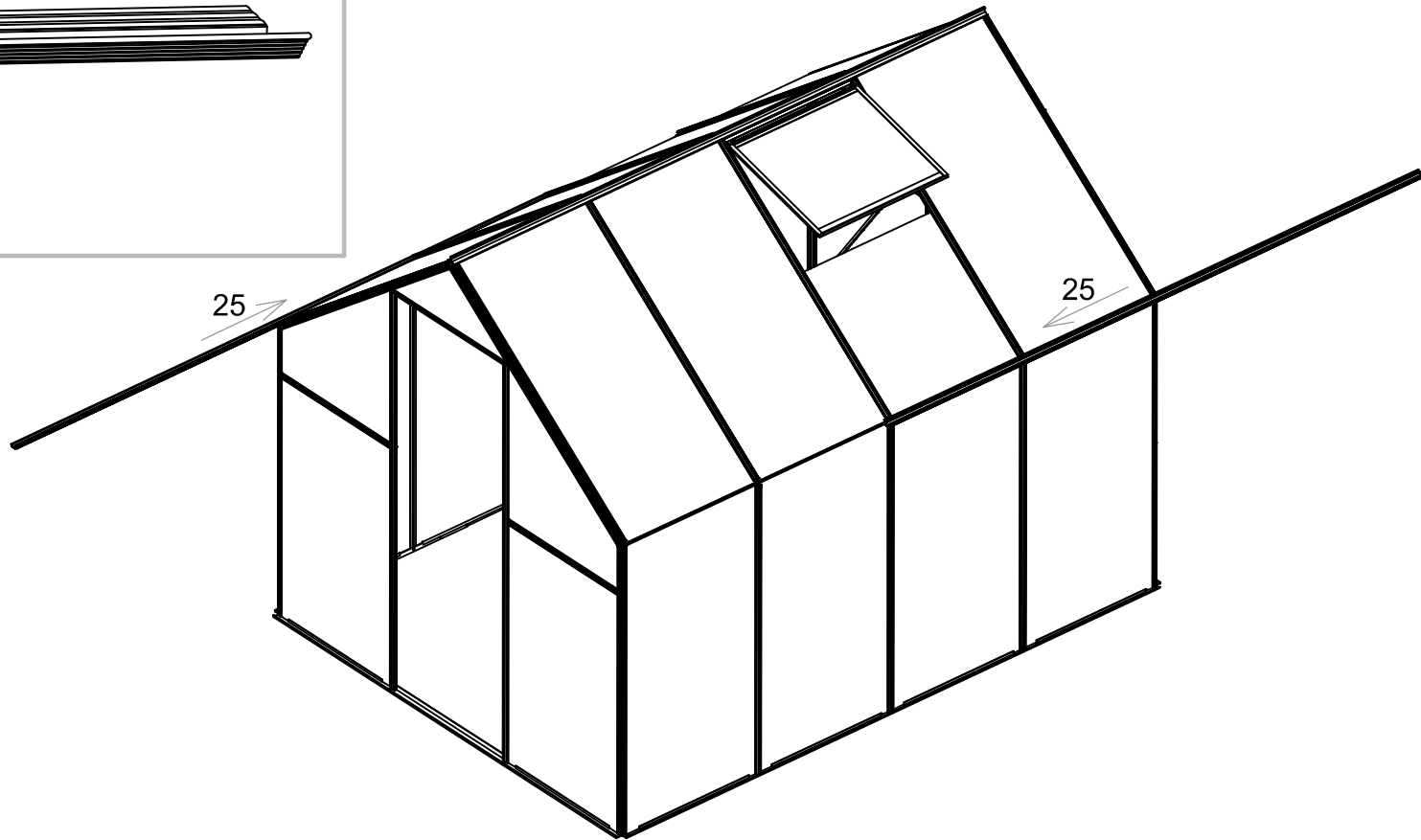
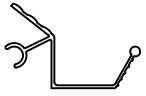
P9 x7

P10

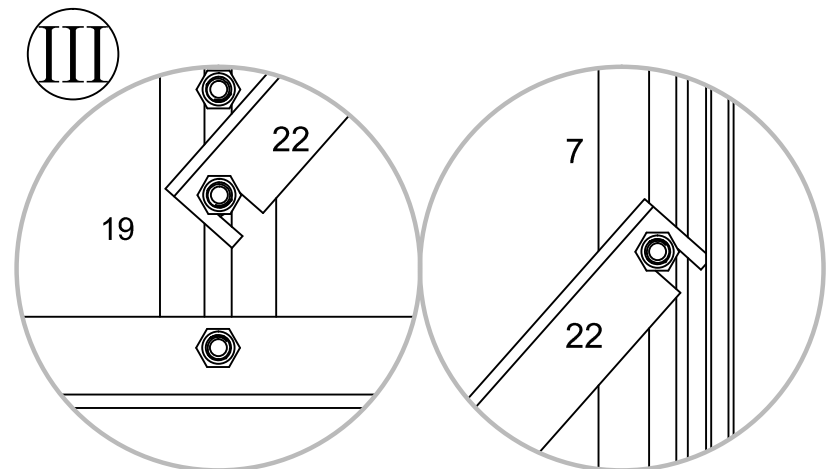
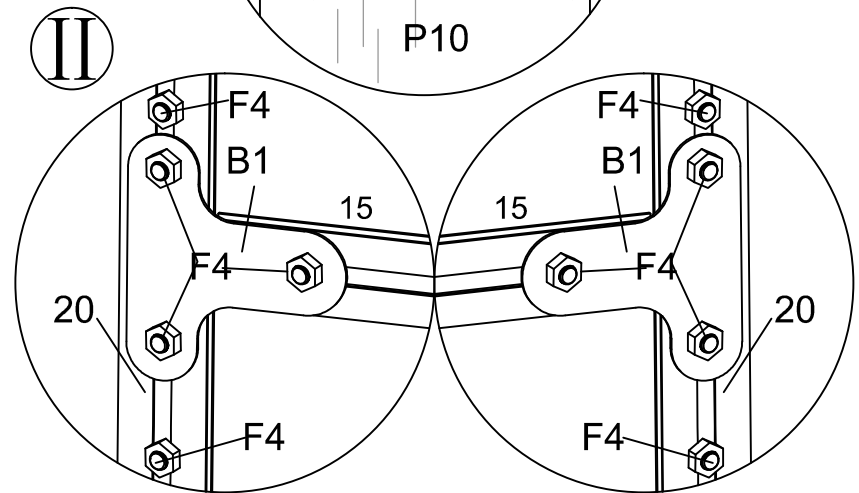
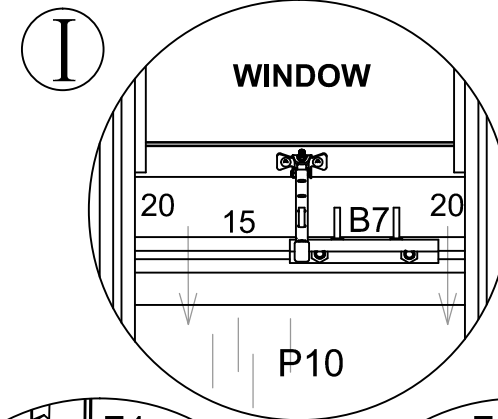
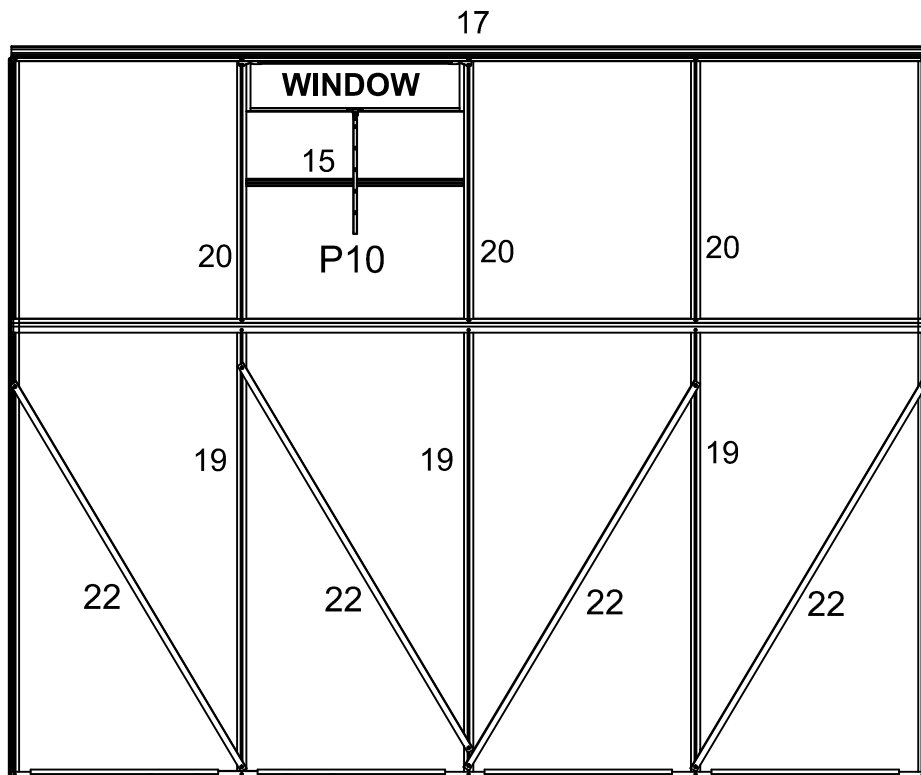
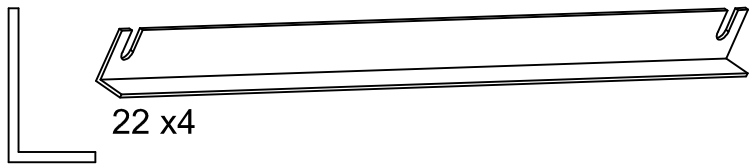


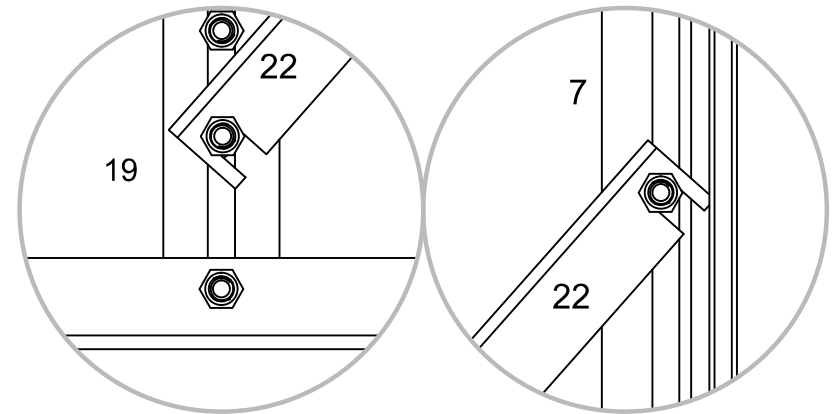
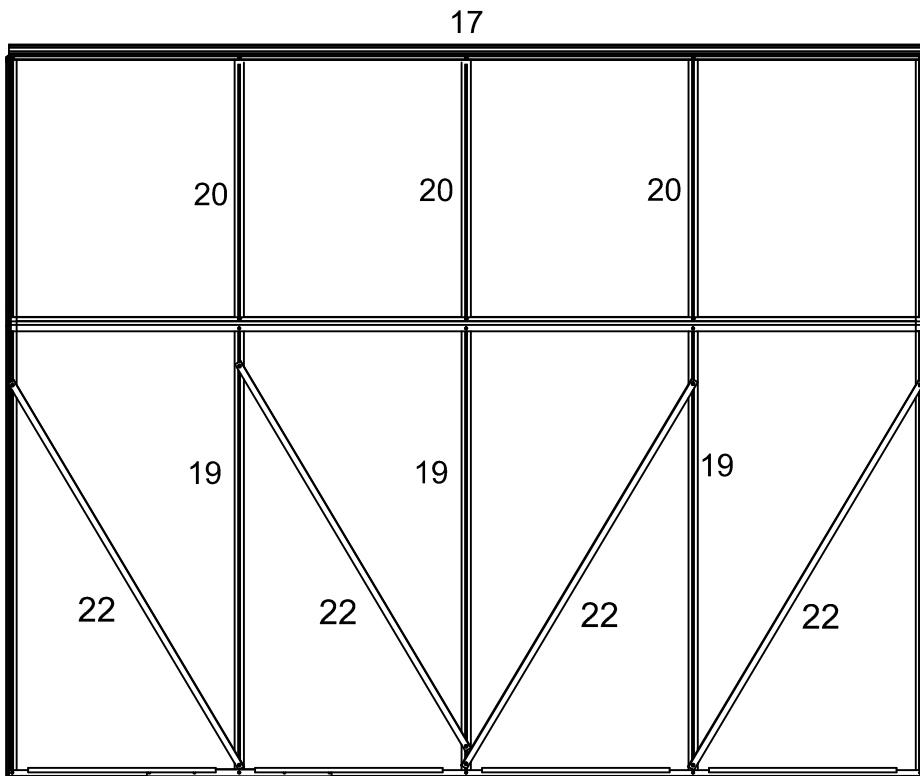
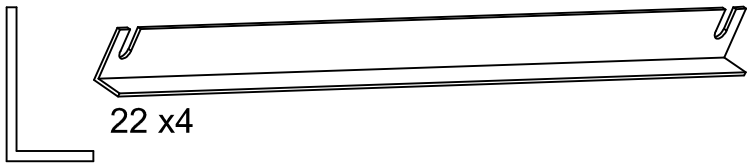


25 x2

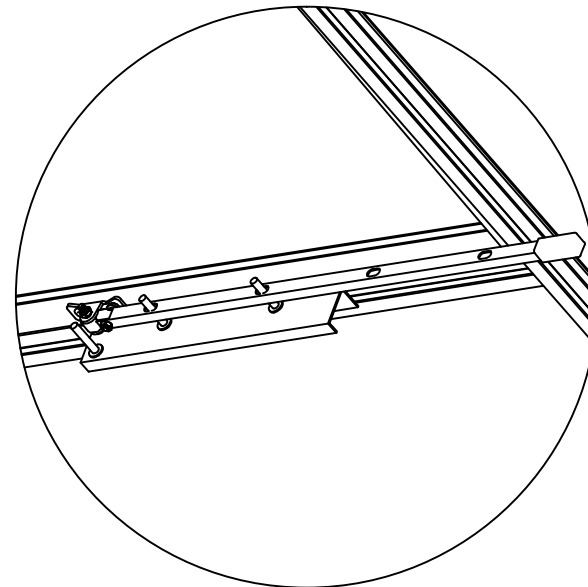
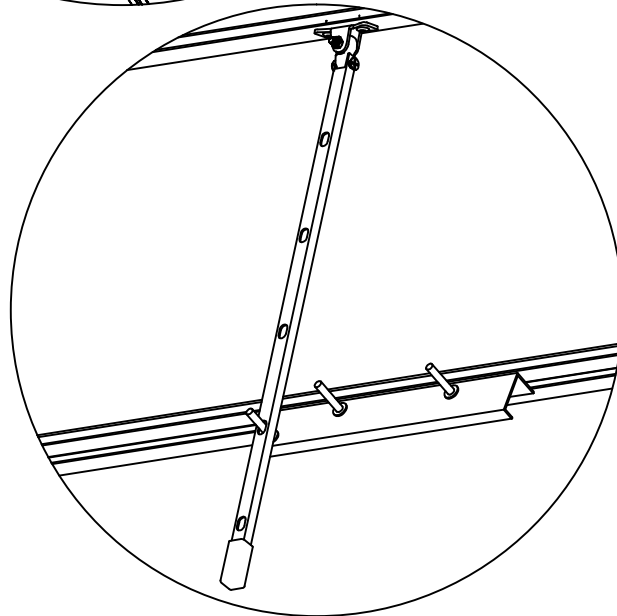
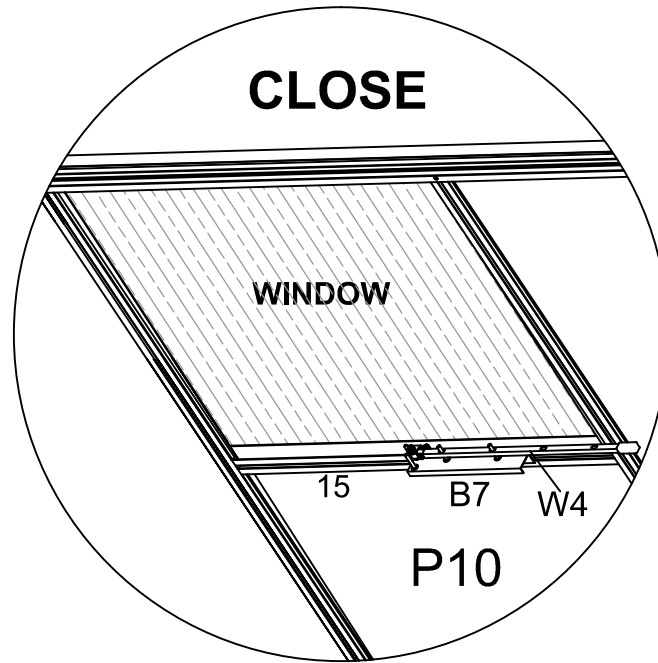
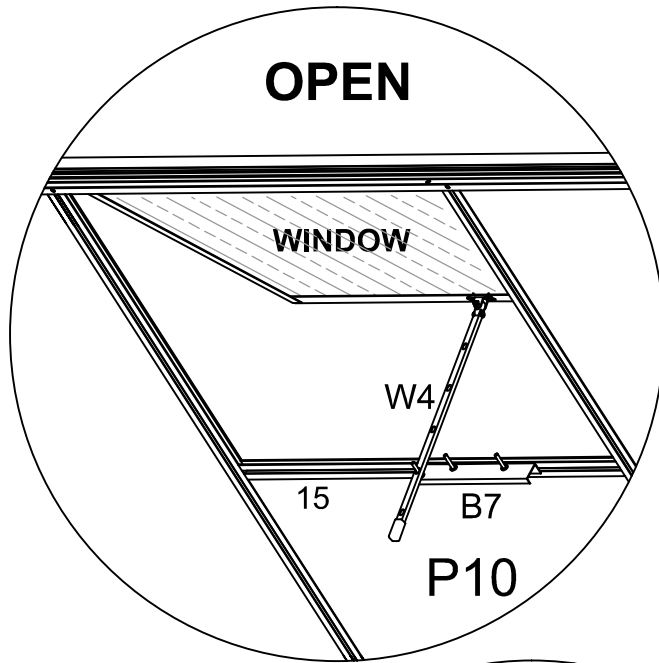


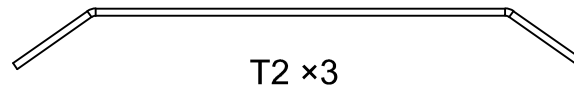
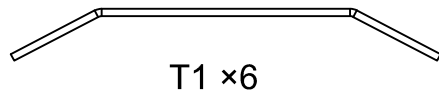
It is easier to install grease or WD-40 when using NO.25 parts in this step.



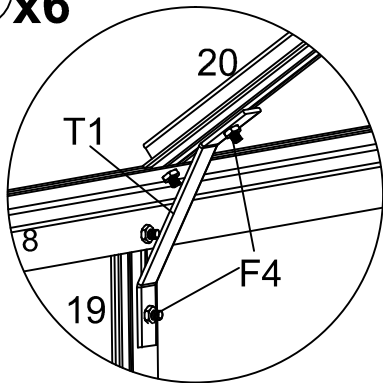


Note the use of the windows

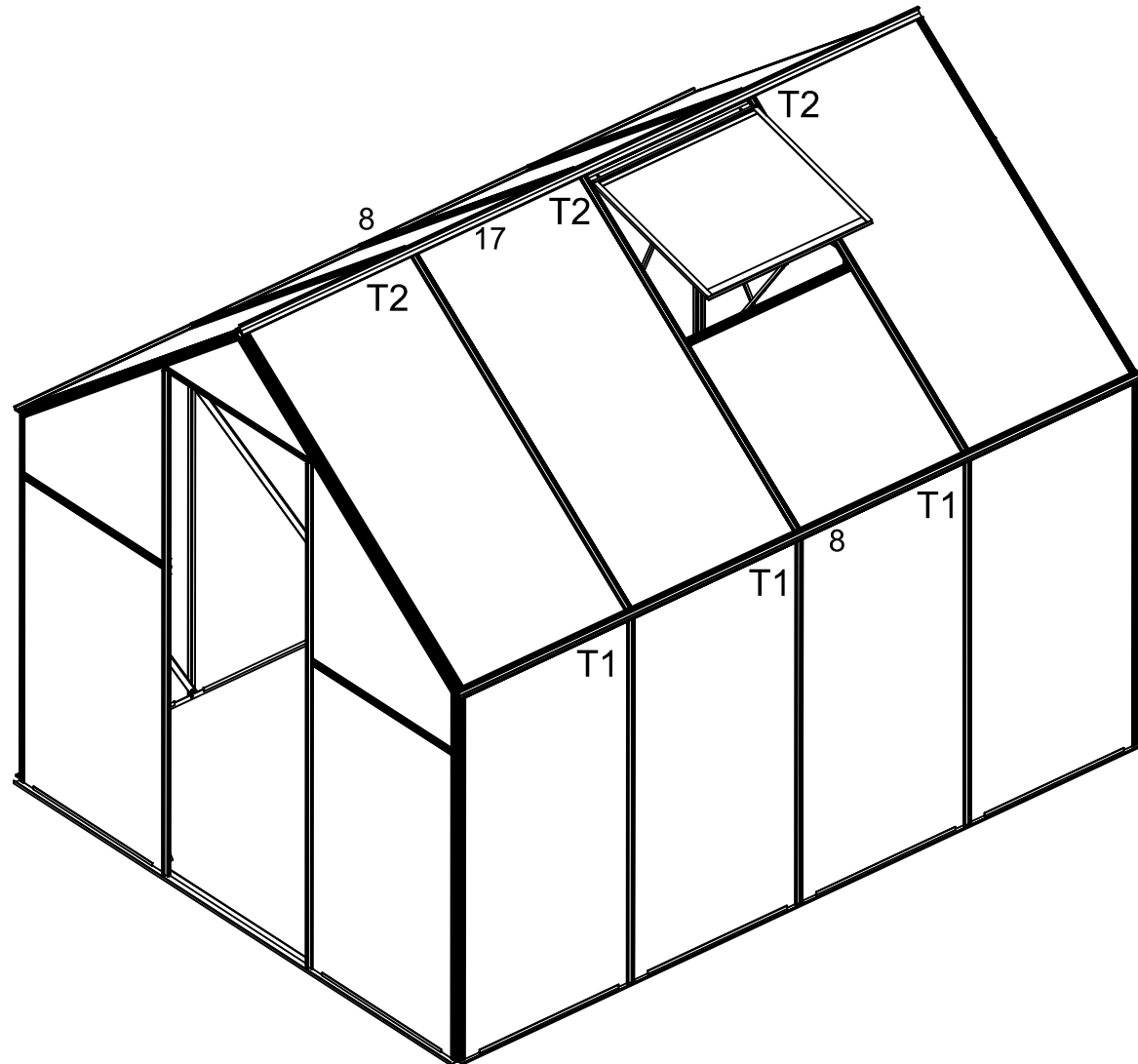
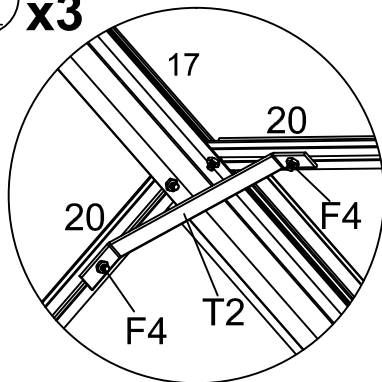


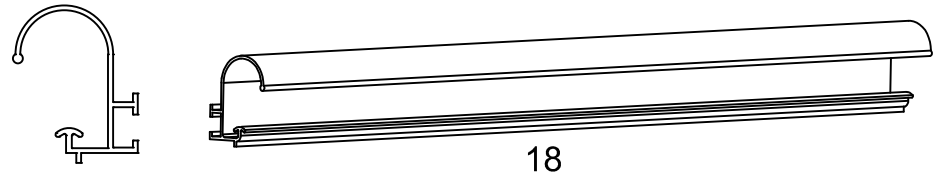


I x6

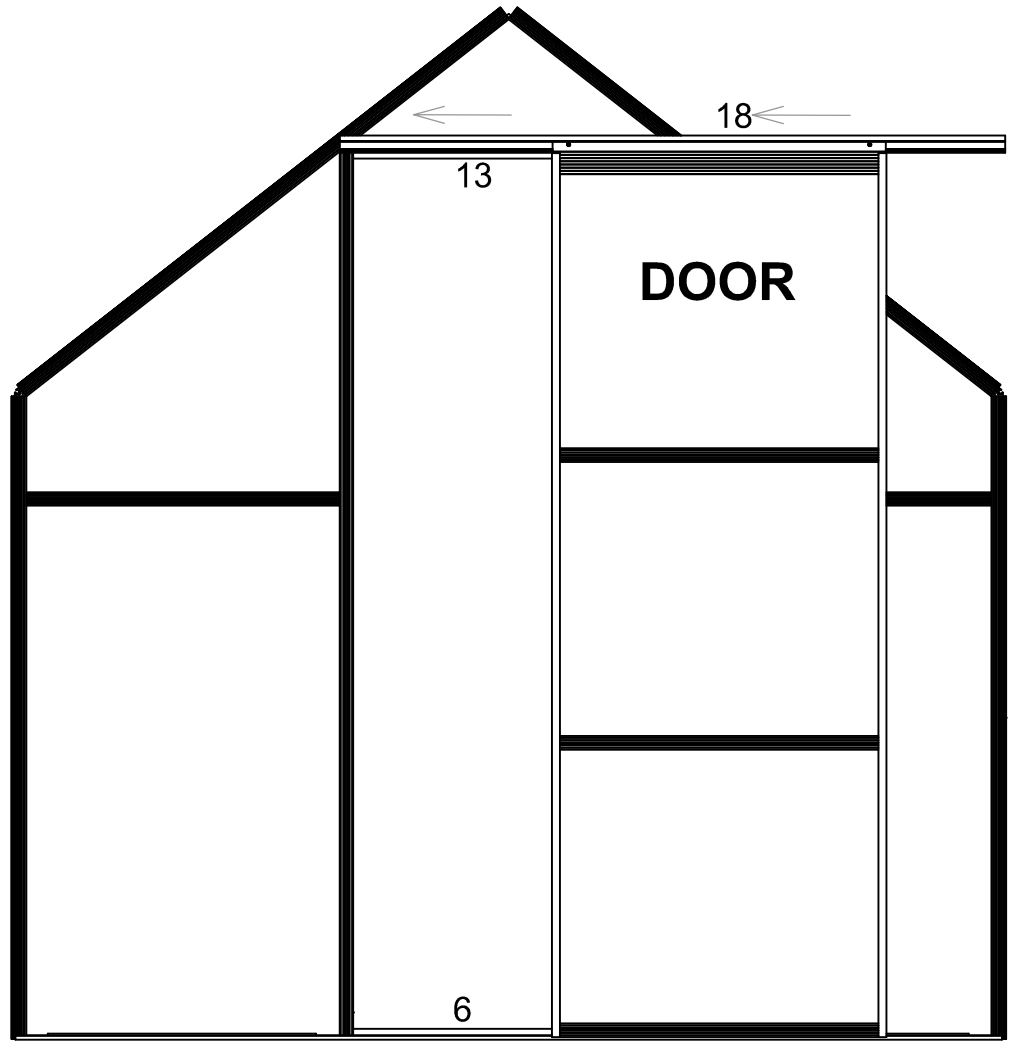


II x3

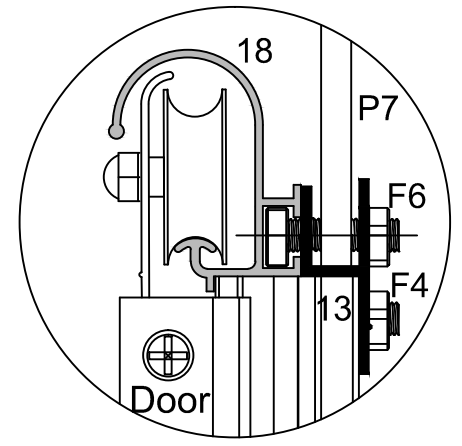
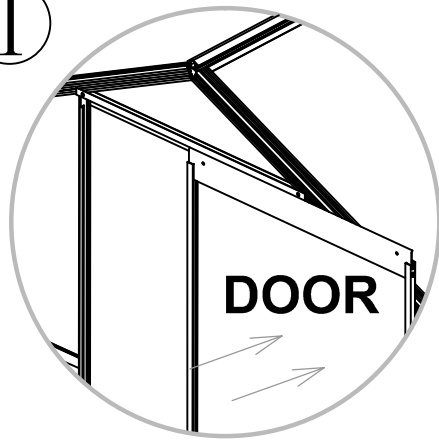




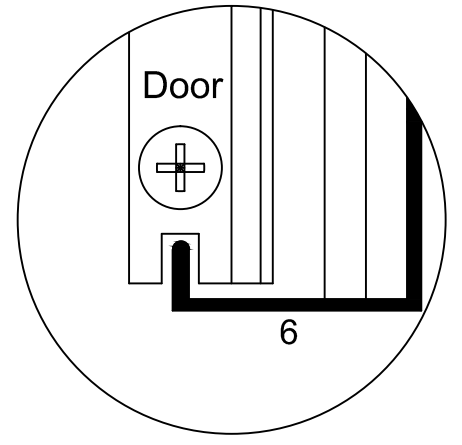
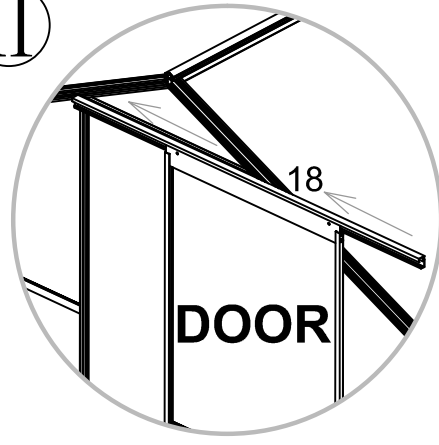
18

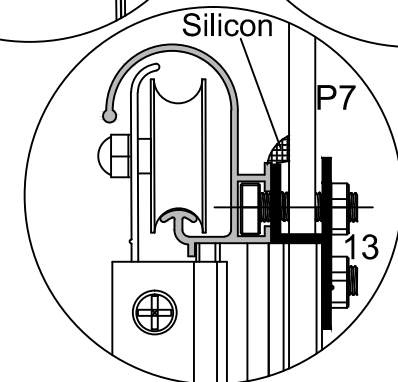
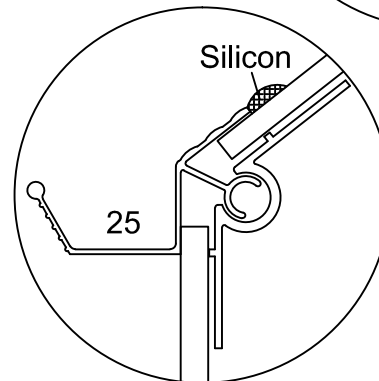
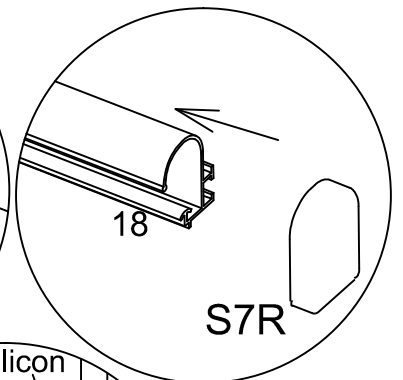
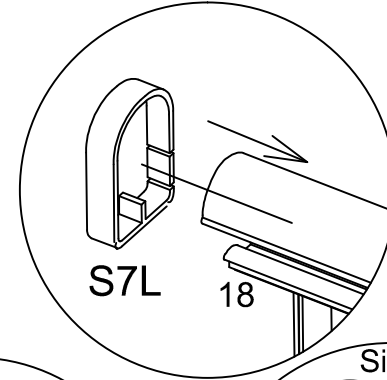
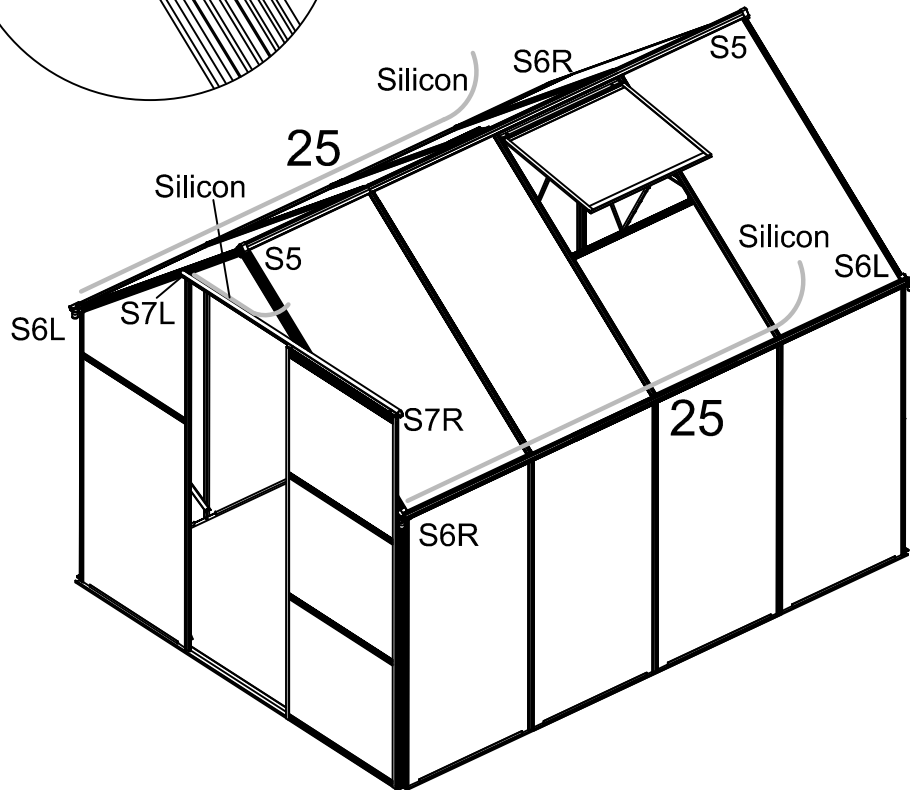
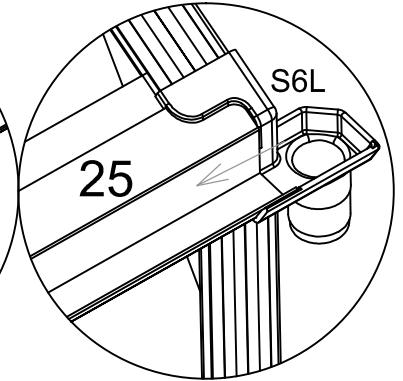
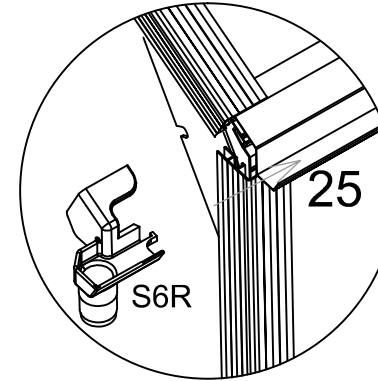
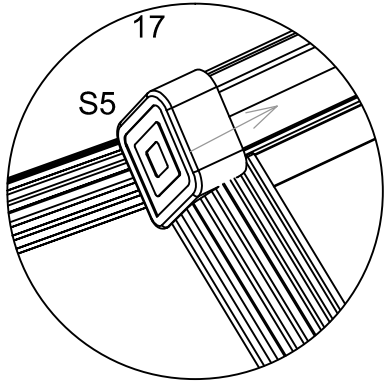
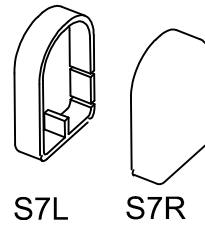
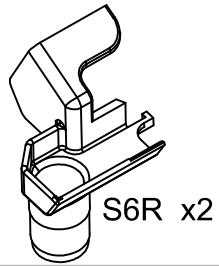
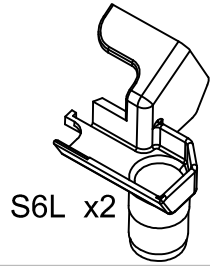
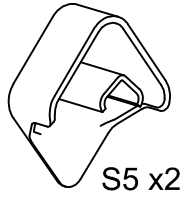


I



II





Maintenance:

In a timely manner the centralizer skeleton.

1.If the ground not level off, loose soil layer thickness is differ, wall shed may tilt to one end, once found, should be timely the centralizer, in case of deformation. The shed may be slant when facing the un-level ground or loose soil layer, please righting the shed urgently to avoid deformation

2.Prevent increased loading-weight artificially.

Don't let any lentils, towel gourd, pumpkin and climbing fruits and vegetables to grow up on the canopy, otherwise if it is windy and rainy, skeleton is unbearable, and easy to cause skeleton crack, broken, collapse Avoid kinds of vine plant climbing on the canopy, or it can not bearing for the wind and heavy rain, broken,collapse may accured.

The sunshine board maintenance:

1.In the using canopy, note do not use sharp objects collision films, avoid to cut films. Be careful not collide with a sharp object films,in order to avoid scratched films when using.

2.If films appear rupture, can use glue to repair or repair with transparent tape. Available polyurethane adhesive for repairing. Often keep the films clean, generally the PC sheet replacement using 6 ~ 10 years later, so as not to affect the light transmittance. Using transparent tape adhesive to patch cracks of film when any broken in case .Keep clean films,it will better replaced by new panels after 6-10years to avoid affect the Light transmittance

3.The flame retardant in polycarbonate material, but still need to stay away from fire, avoid softening deformation.

As Polycarbonate is fire-retardant materials, please stay away from the fire ,to avoid softening deformation.

Frame maintenance:

1.The frame is aluminum alloy structure, if there is a white problem can wipe with a cloth in time, under high temperature and wet environment.

All frames are made of alloy aluminum. White spots may appeared under wet-hot environment, just wipe it.

2.If there is any distortion calibration shall be carried out in a timely manner in order to avoid sunshine board out, If Polycarbonate out of frame, please removed screws. Carried out in accordance with the manual installation steps, and partial restoration.Any distortion calibration shall be carried out in a timely to avoid the sunshine board fall off. Repair work should be according to the IM.

3.If connection piece serious rust, should change in time the new screws and connectors to ensure connection parts are firm

Please replaced the serious rust screws and connection for stable.

How to do in bad weather:

1.If there is lightning may not stay in the shed, because aluminum alloy skeleton is conductive and will be caused serious consequences

Do not stay under shed when lightning.

2.Wind power reaches 70 km/h should be prepared ready to defense equipment, fixed wall shed. Fixed method with a strong rope or cable connect the cornice work four Angle of anchor block inserted into the soil or tied in a nearby tree stem > 10 cm in diameter. Pay attention to the weather turns good dismantled after the rope or cable to avoid injury and pedestrian.

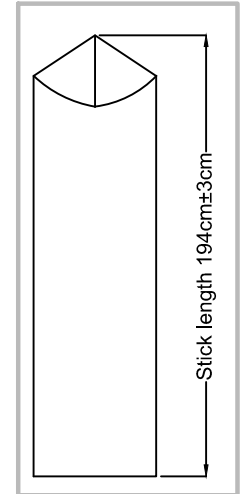
Please get defensive measures when facing heavy wind (abt 70km/H). Reinforce by steel rope and anchors which insert into ground or Strapping on a big tree

3.Clear in time at the top of the deciduous leaves led to the decrease of the canopy transparency, heat preservation effect is reduced

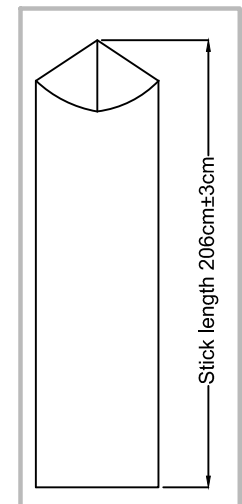
To avoid greenhouses reduced transparency, heat preservation effect is reduced, please clean up the leaves at the top.

4.During snow, removal work in time, if not timely to snow removal, Use solid wooden plate supporting internal intermediate point and middle position of polycarbonate, prevent snow collapsing the wall shed.

To prevent collapsing by snow, please remove the snow in time,Or support by a wooden stick support in the center of the sunshine board for reinforcement



No base



Height of the base installed

Contact information

Head office:

Dancover A/S
Lyngevej 16A, Nørre Herlev
3400 Hillerød
Denmark

For more information
please visit:

www.dancovershop.com

National contact

Denmark:

denmark@dancover.com

UK:

uk@dancover.com

Germany:

germany@dancover.com

France:

france@dancover.com

Sweden:

sverige@dancover.com

Finland:

suomi@dancover.com

Poland:

polska@dancover.com

Luxembourg:

luxembourg@dancover.com

Portugal:

portugal@dancover.com

Spain:

espana@dancover.com

Italy:

italia@dancover.com

Switzerland:

schweiz@dancover.com

Austria:

austria@dancover.com

Norway:

norge@dancover.com

Nederland:

nederland@dancover.com

Ireland:

ireland@dancover.com

Belgium:

belgique@dancover.com