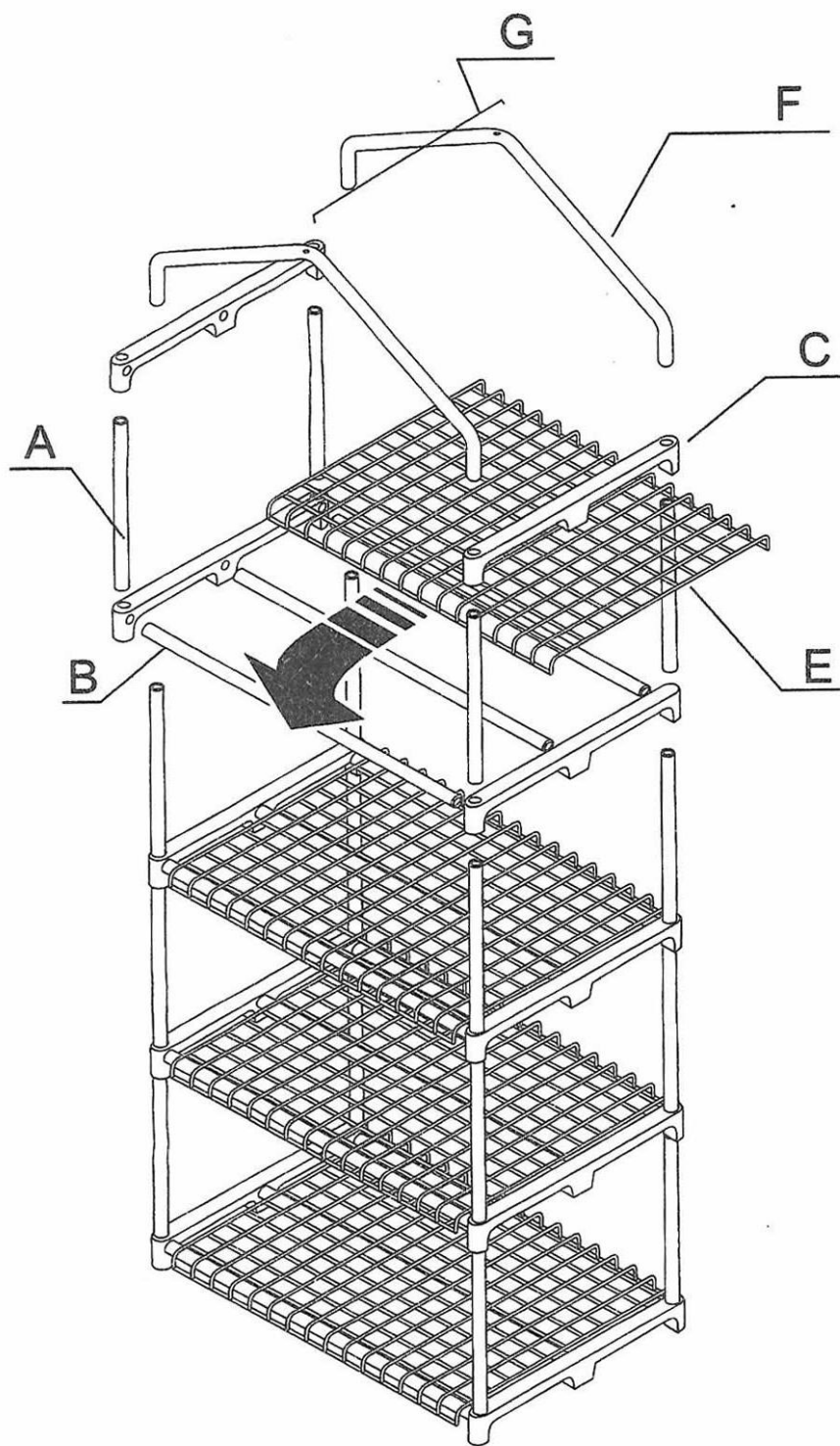
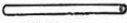


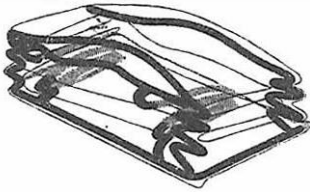
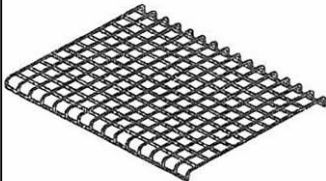
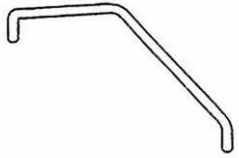
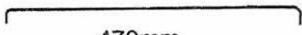


DANCOVER[®]



Manual
for
Polytunnel Greenhouse
0,5x0,9x1,63m



A	 330mm	16X
B	 900mm	12X
C	 495mm	10X
D		1X
E		4X
F		2X
G	 470mm	1X

