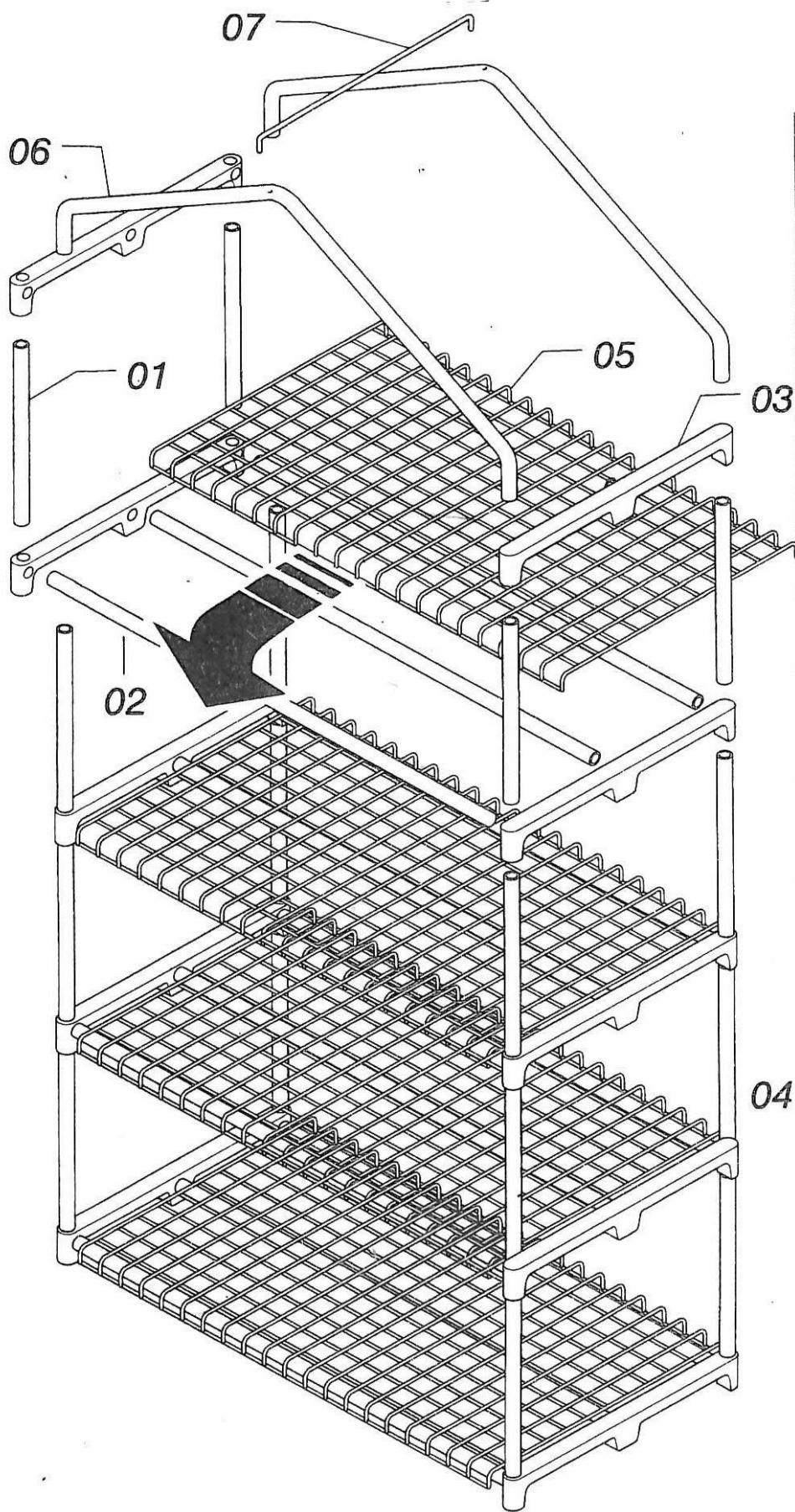

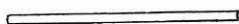

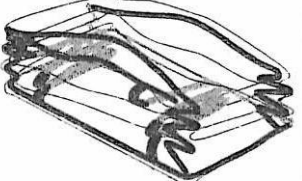
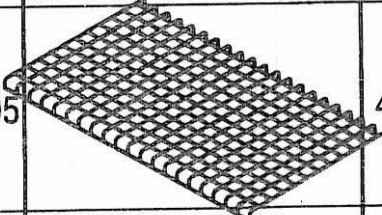
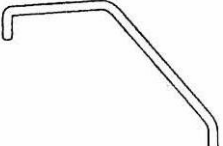



**DANCOVER<sup>®</sup>**

**.com**

Manual  
for  
Polytunnel Greenhouse  
0,5x0,7x1,58m



No.		Qty
01		16
02		12
03		10
04		1
05		4
06		2
07		1

