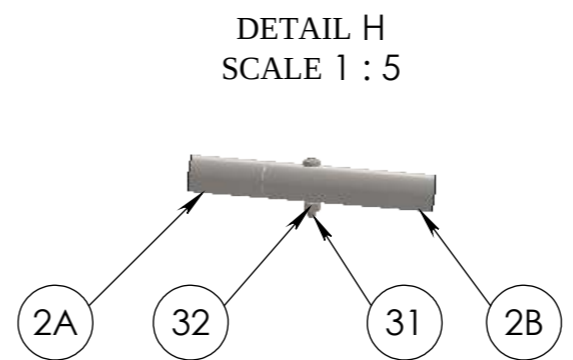
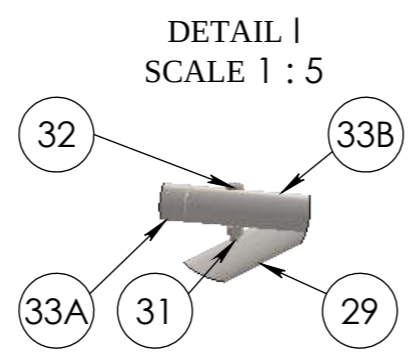
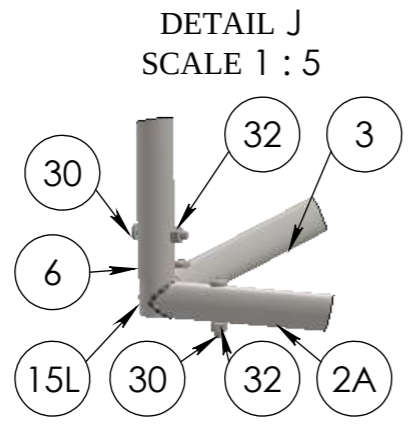
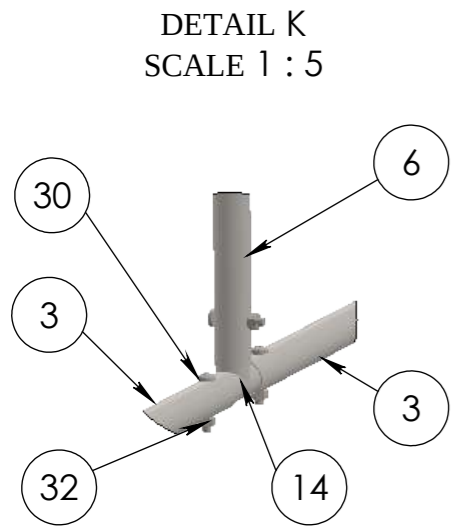
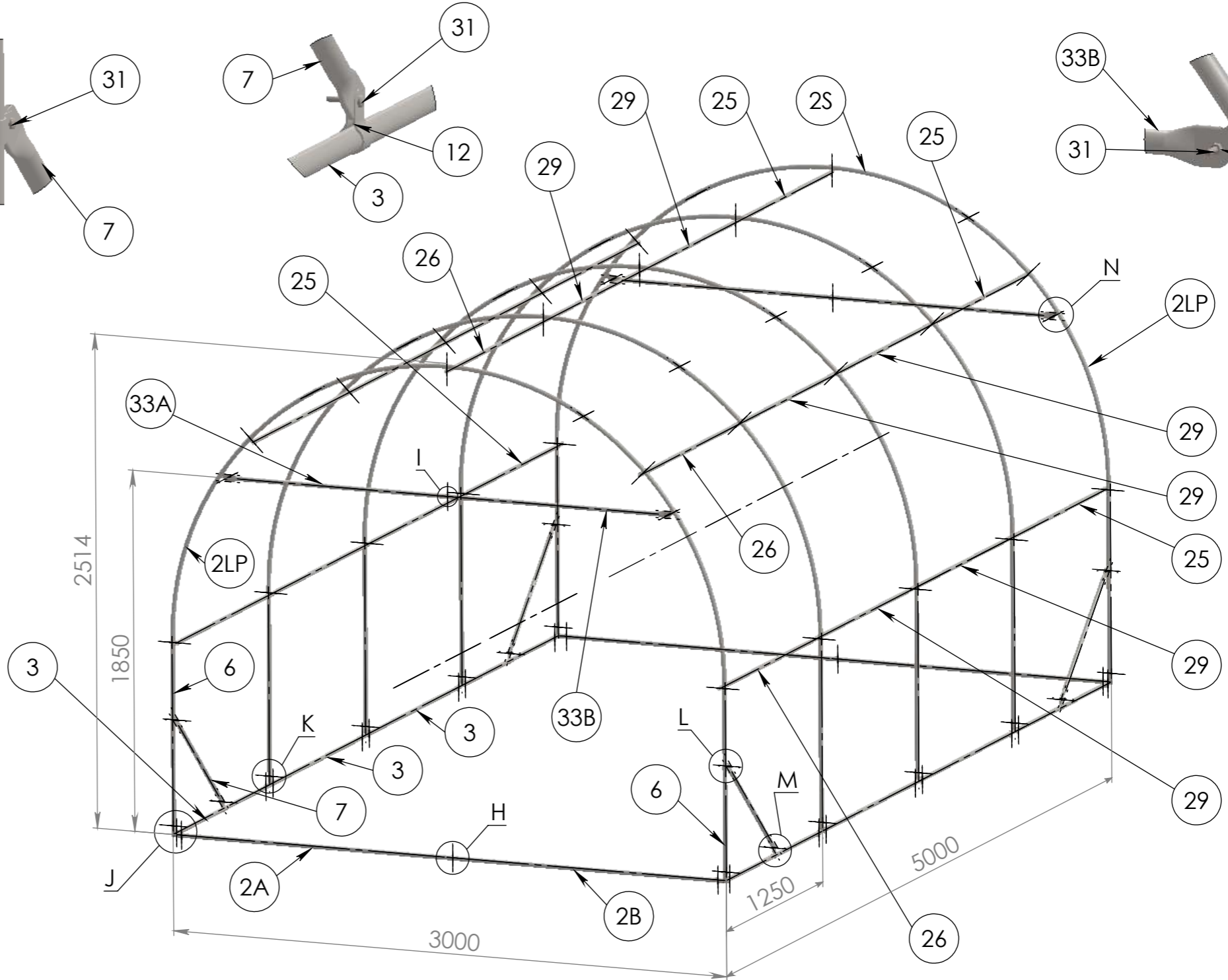
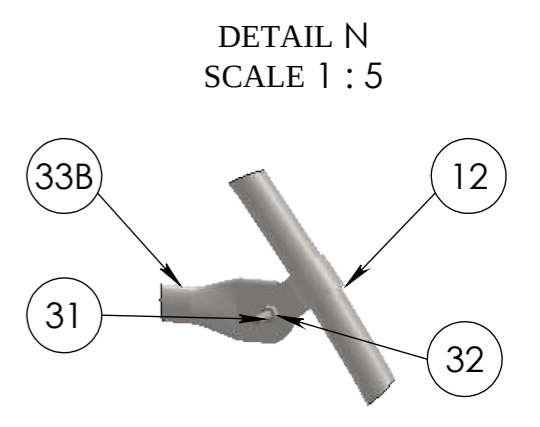
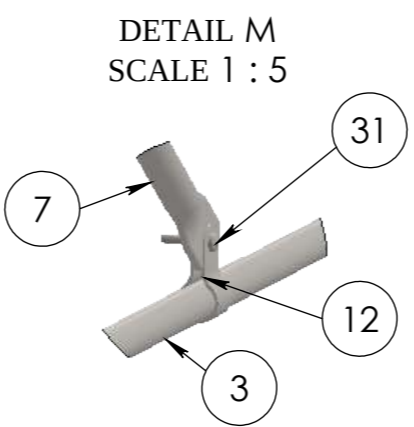
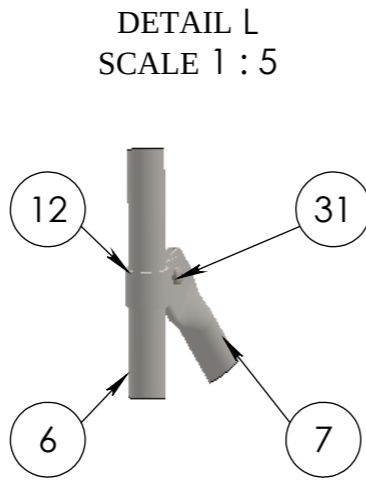


DANCOVER[®]



Manual
for
Polytunnel Greenhouse
3x5x2,5m

Part no.	Description	Quantity
2LP	2LP - Left arch, Right arch - TFL	10
2S	2S - Middle arch - TFL	5
6	6 - Post 940	10
15L	15L - Corner connector	2
15P	15P - Corner connector	2
14	14 - Middle connector	6
3	3 - Horizontal connector 121 cm	8
7	7 - Corner reinforcement 835	4
12	023_Clamp_025	12
25	25 - Longitudinal reinforcement - TFL	5
26	26 - Longitudinal reinforcement with coupler - TFL	5
2A	2A - Horizontal front connector with coupler 147 cm	2
2B	2B - Horizontal front connector 150 cm	2
33A	33A - Horizontal upper reinforcement with coupler 124 cm	2
33B	33B - Horizontal upper reinforcement 124 cm	2
29	29 - Longitudinal reinforcement with coupler - TFL	11
31	Bolt - M6 x 60	25
30	Bolt - M6 x 35	56
32	Nut - M6	81



Contact information

Head office:

Dancover A/S
Lyngevej 16A, Nørre Herlev
3400 Hillerød
Denmark

For more information
please visit:

www.dancovershop.com

National contact

Denmark:

denmark@dancover.com

UK:

uk@dancover.com

Germany:

germany@dancover.com

France:

france@dancover.com

Sweden:

sverige@dancover.com

Finland:

suomi@dancover.com

Poland:

polska@dancover.com

Luxembourg:

luxembourg@dancover.com

Portugal:

portugal@dancover.com

Spain:

espana@dancover.com

Italy:

italia@dancover.com

Switzerland:

schweiz@dancover.com

Austria:

austria@dancover.com

Norway:

norge@dancover.com

Nederland:

nederland@dancover.com

Ireland:

ireland@dancover.com

Belgium:

belgique@dancover.com