

# Broil King®

---

---



## Broil King.

ROYAL 330  
8241-62  
8241-63  
8241-63R



## Broil King.

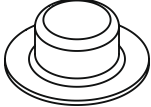
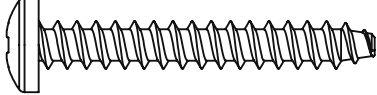
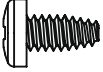
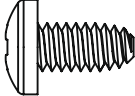
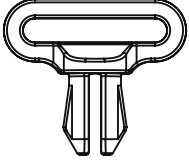
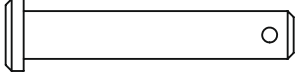

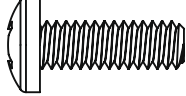
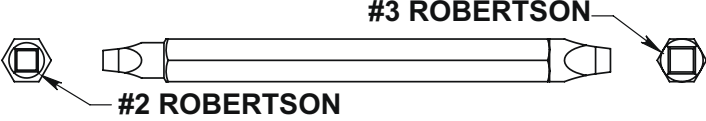
ROYAL 380  
8241-82  
8241-83

---

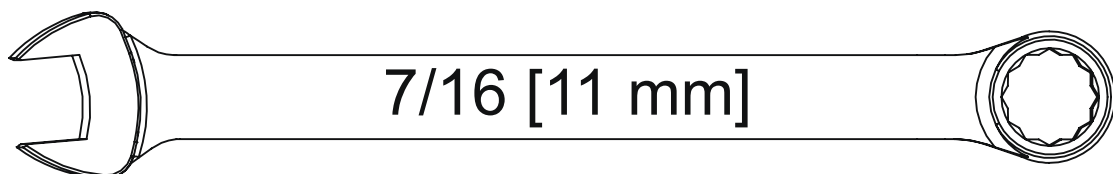
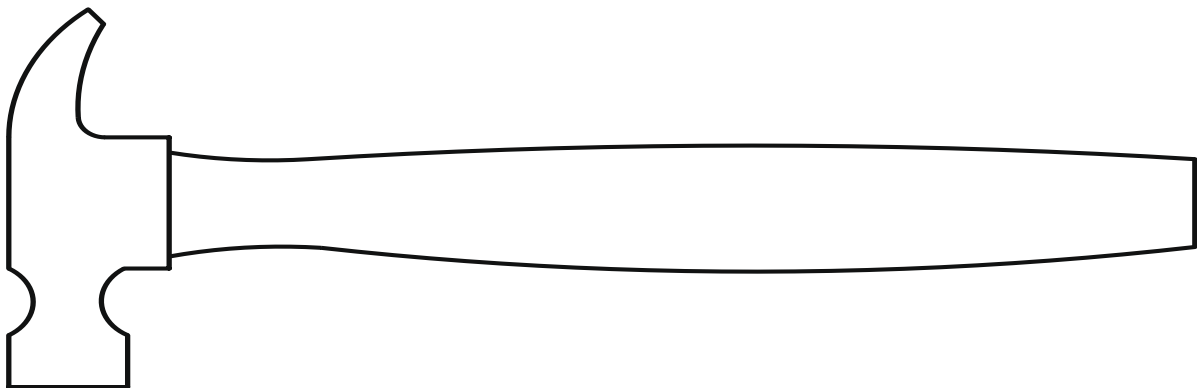
---

*Onward*  
SINCE 1906  
MANUFACTURING COMPANY LIMITED  
585 KUMPF DRIVE  
WATERLOO, ONTARIO, CANADA  
N2V 1K3

**HARDWARE INCLUDED / MATERIAL INCLUS / EQUIPOS INCLUIDO**

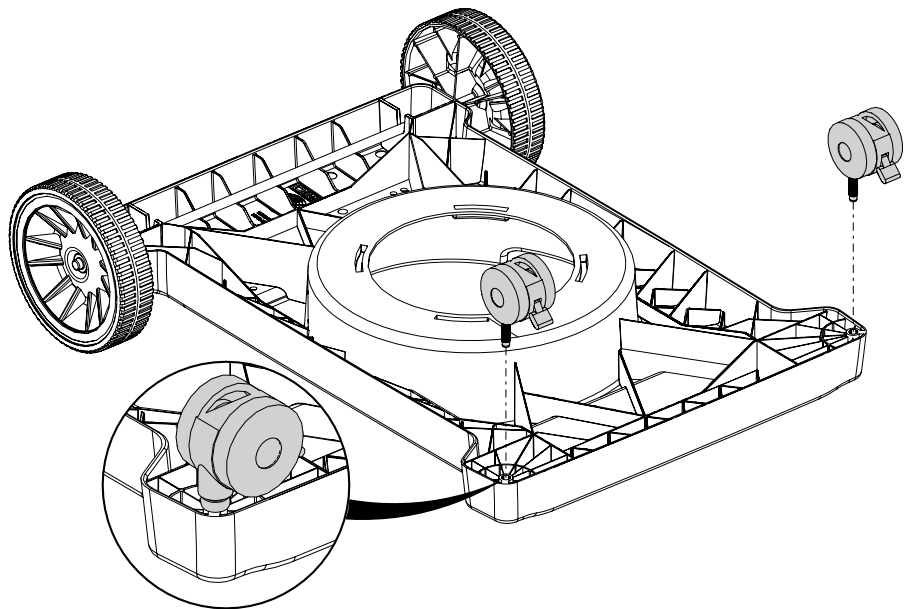
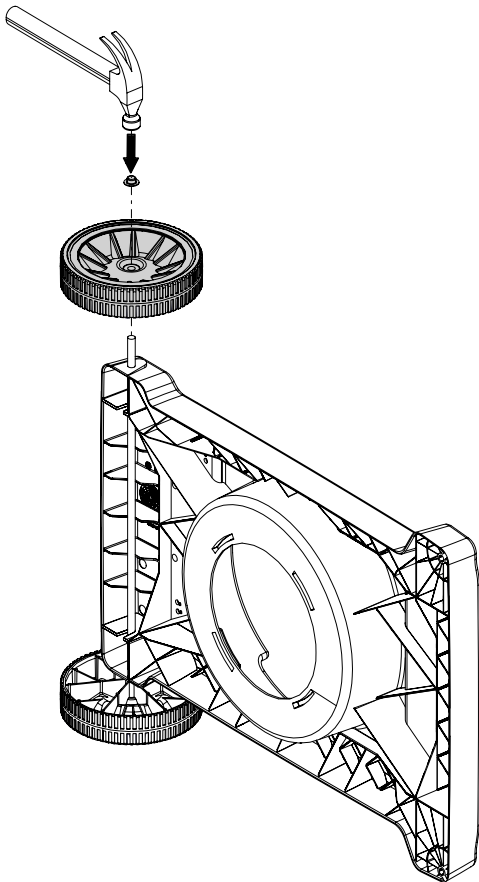
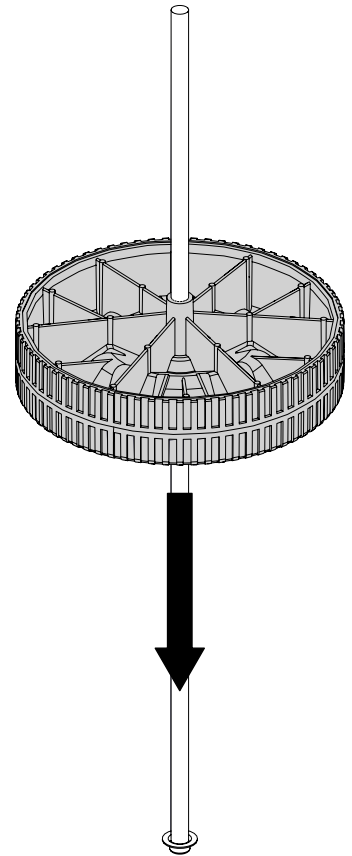
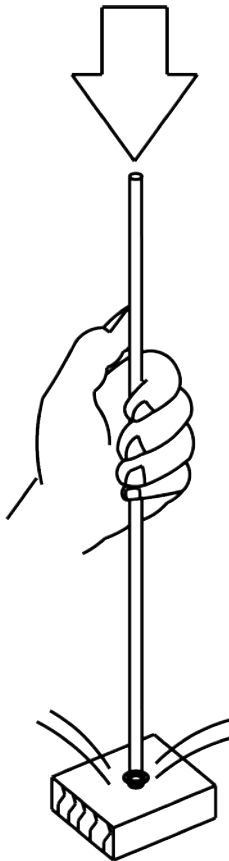
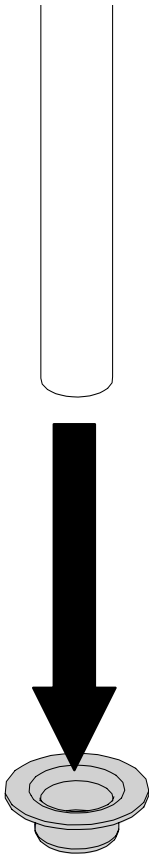
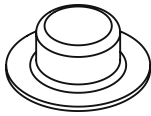
|         |  |     |          |   |     |
|---------|--|-----|----------|---|-----|
| S21420  |   | (2) | Y-11563  |  | (4) |
| Y-29304 |   | (2) | Y-12865  |  | (6) |
| Y-12673 |   | (2) | 10240-15 |  | (2) |
| S21233  |   | (2) | Y-12310  |  | (2) |
|         |  <p>#3 ROBERTSON</p> <p>#2 ROBERTSON</p> |     |          |   |     |

**TOOLS REQUIRED / OUTILS NECESSAIRES / HERRAMIENTAS NECESARIAS**



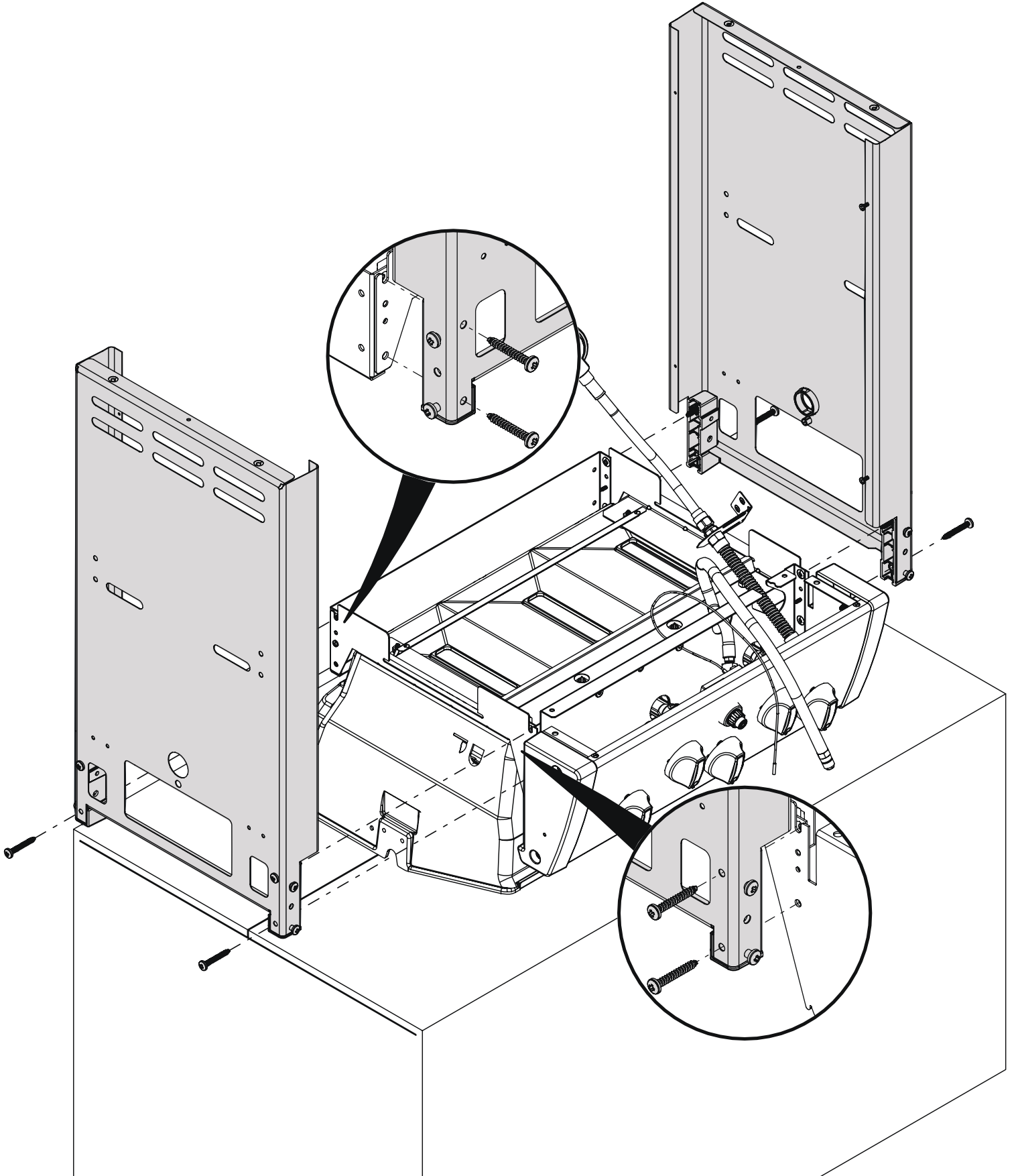
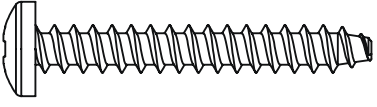
# 1

(2)

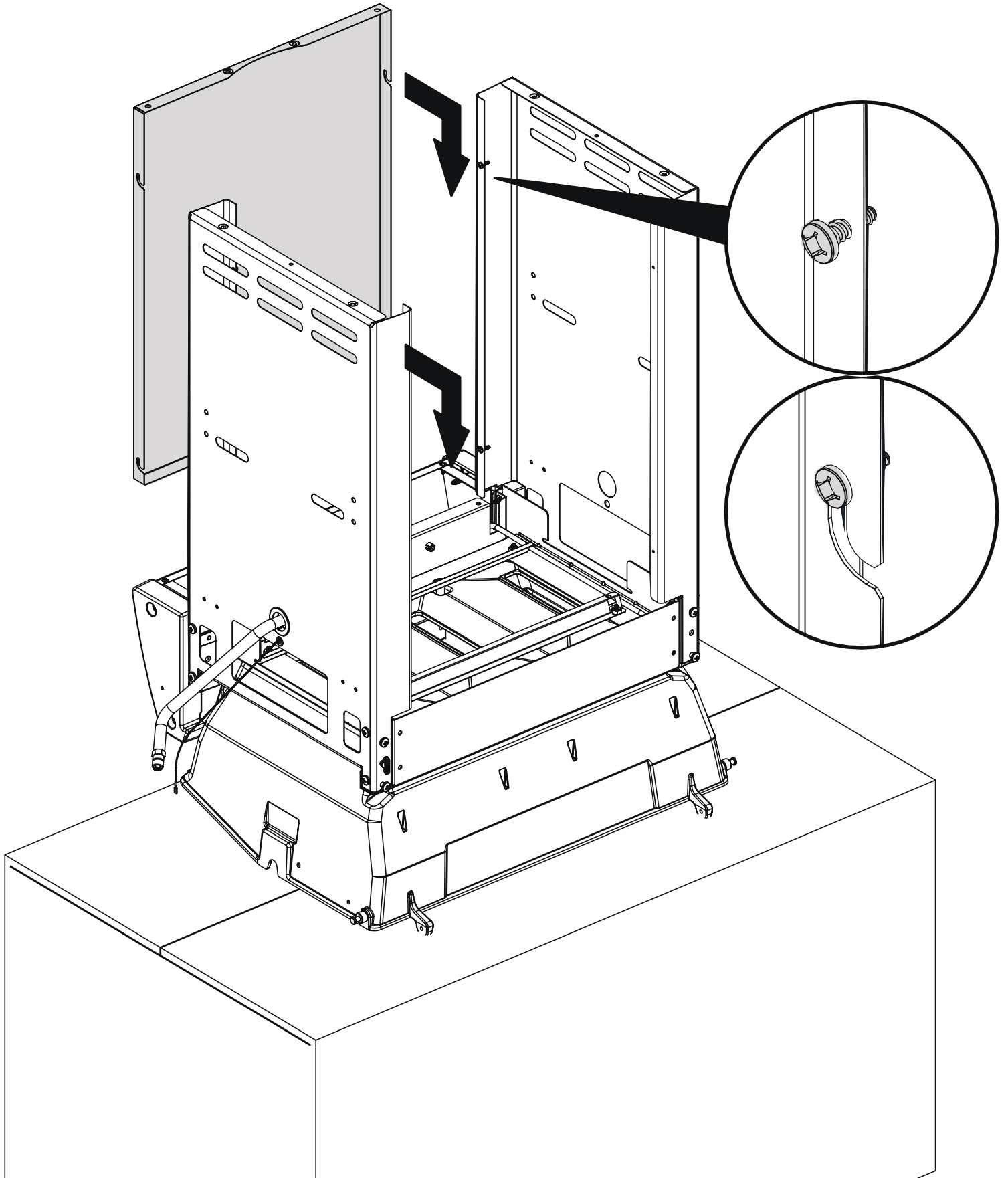


2


(4)

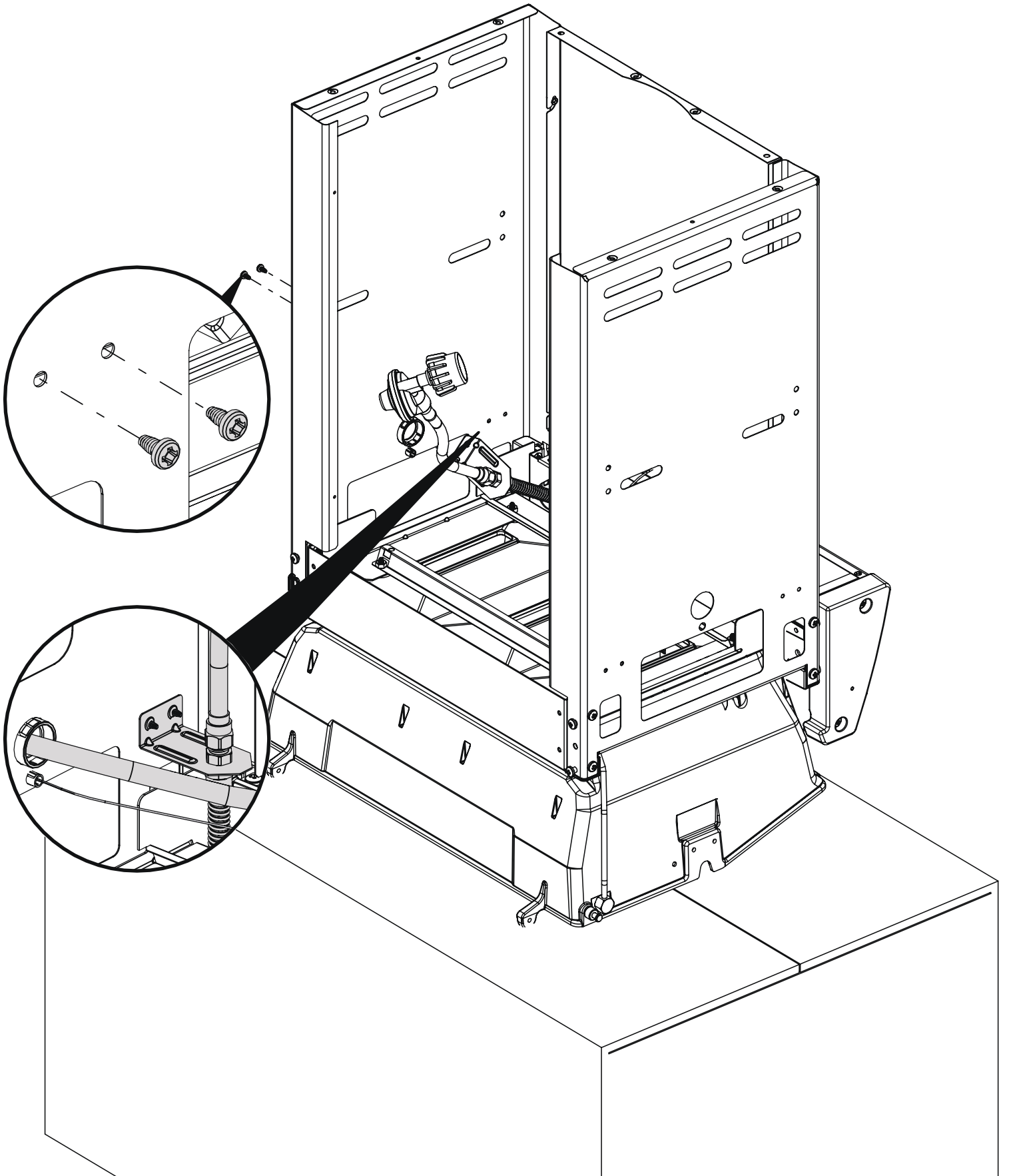


3



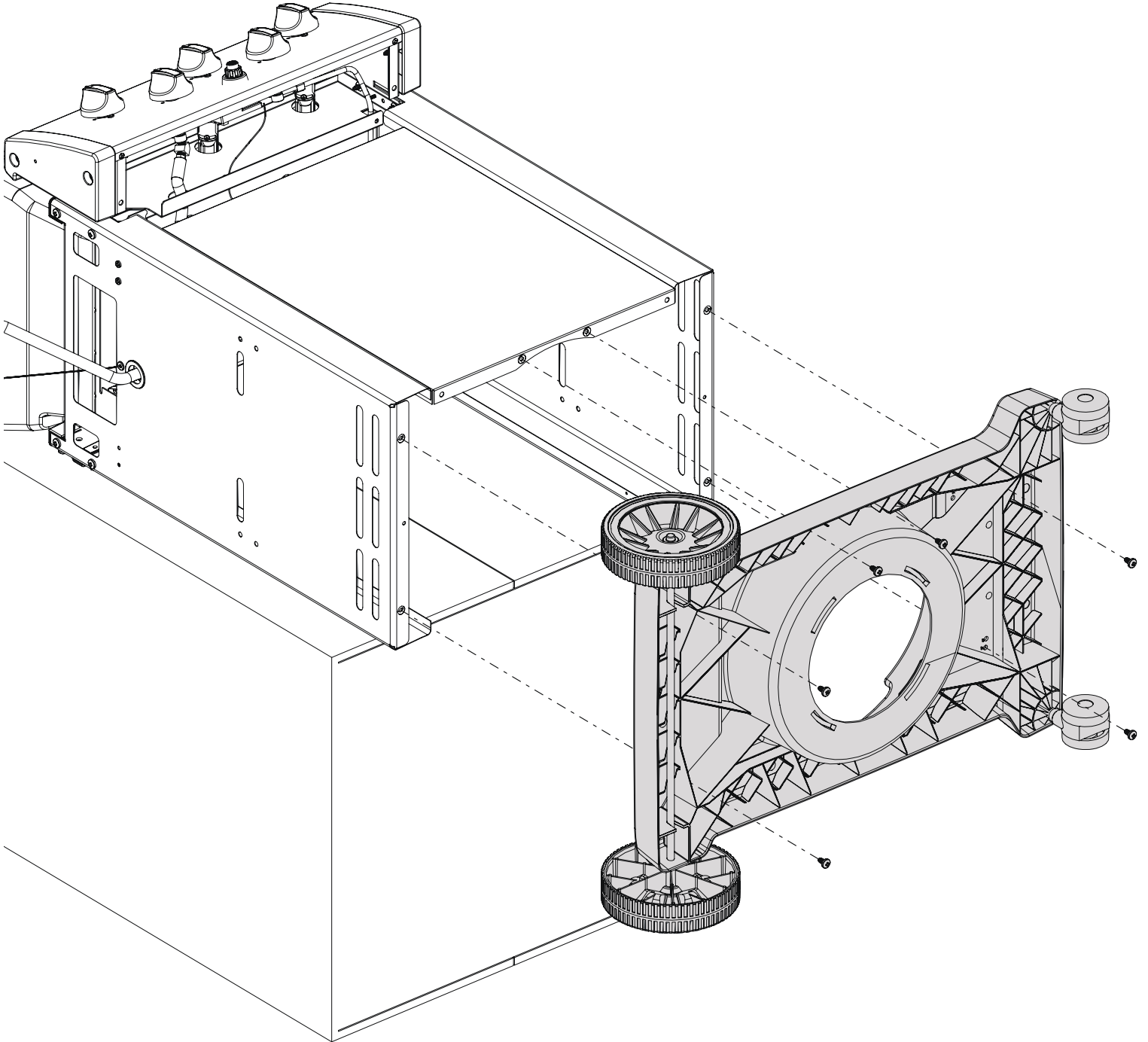
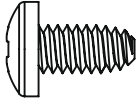
4

(2) 

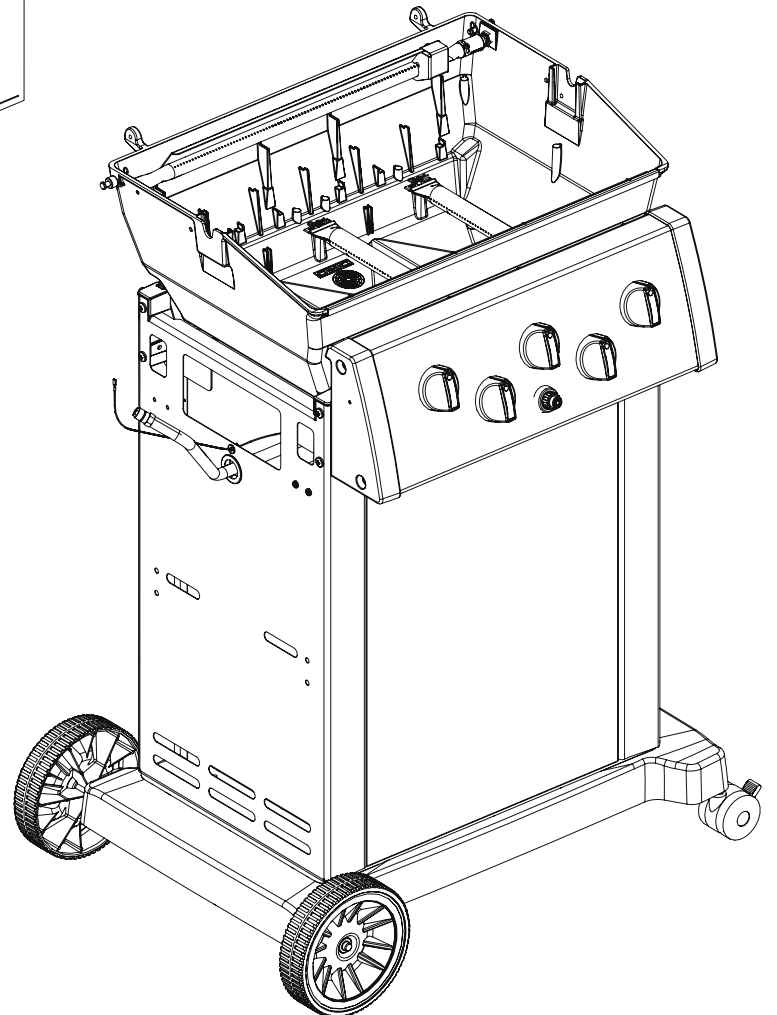
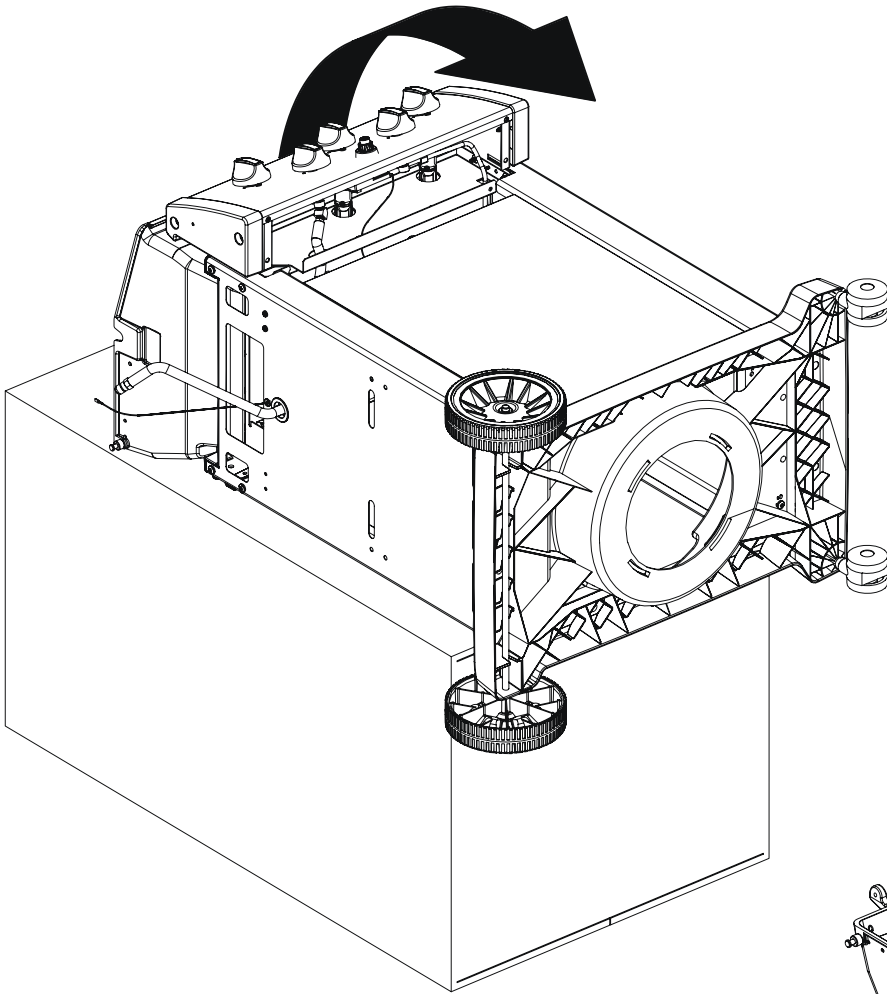


5

(6)



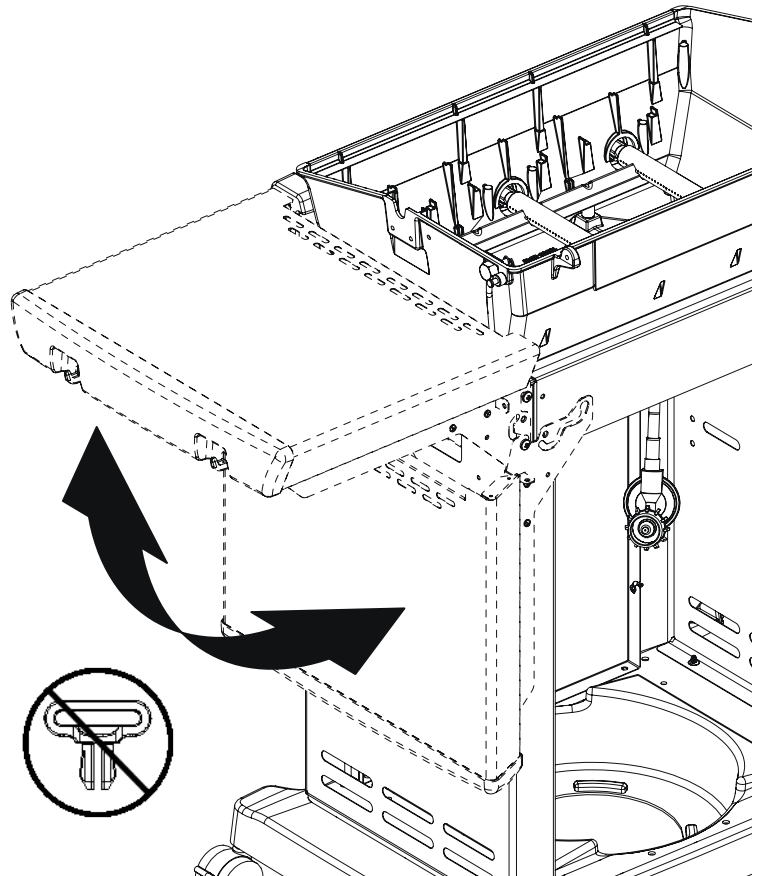
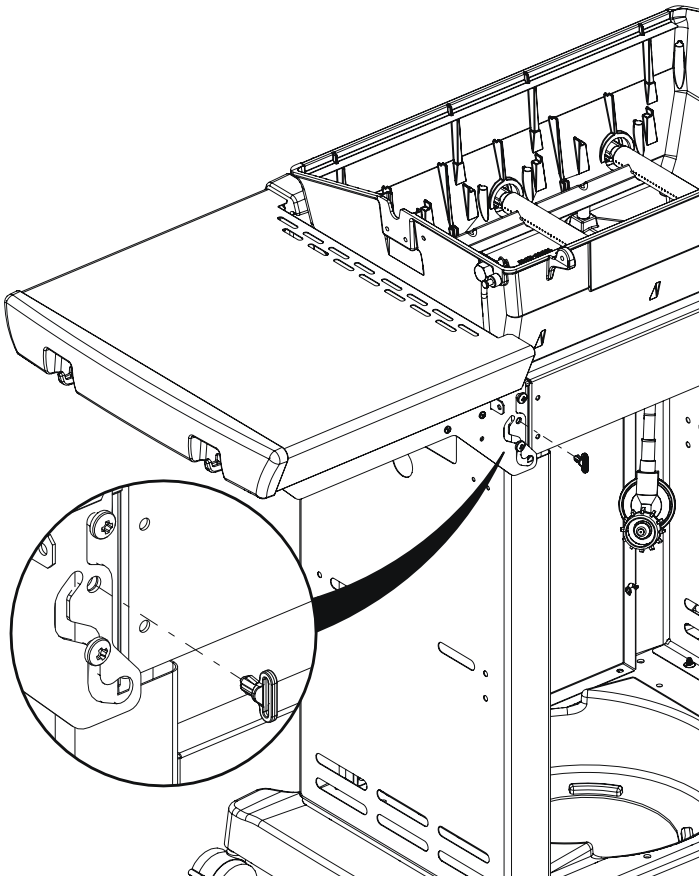
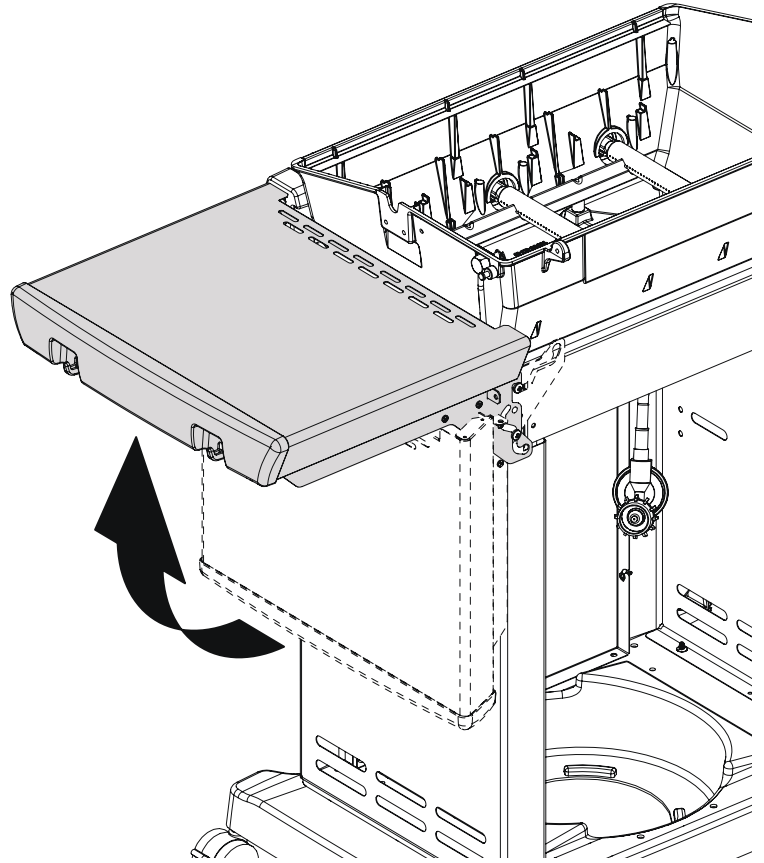
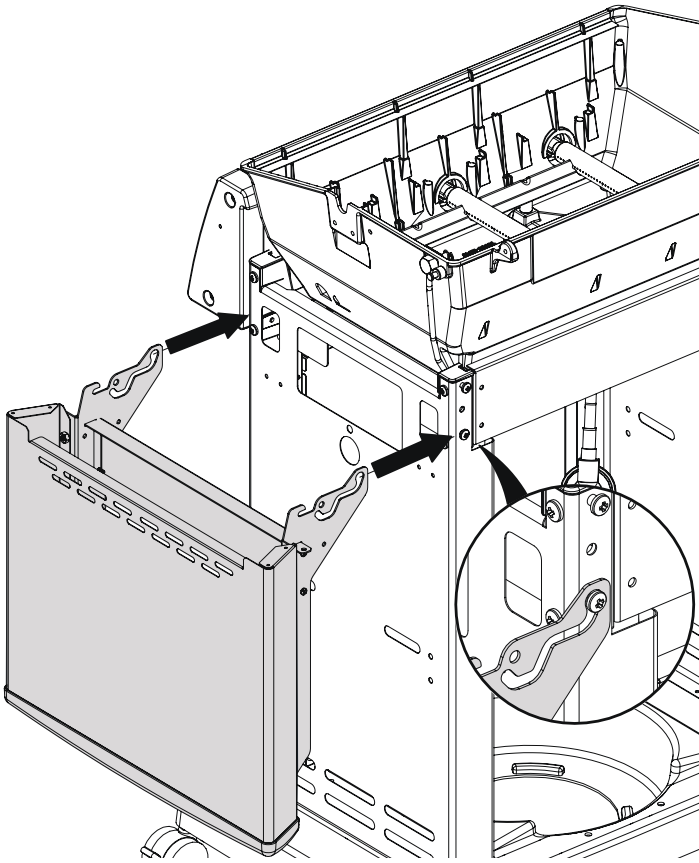
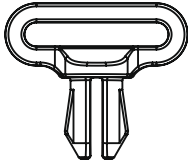
6





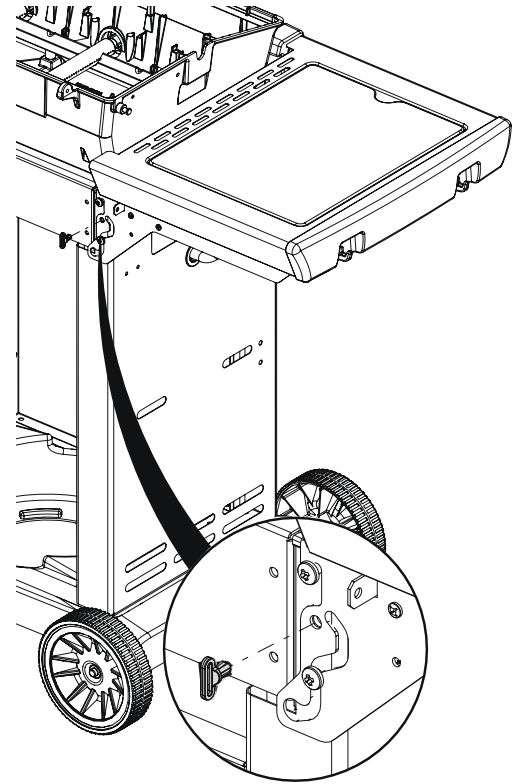
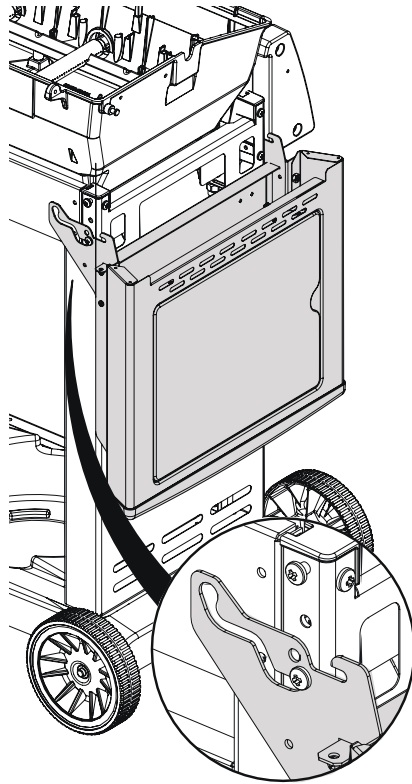
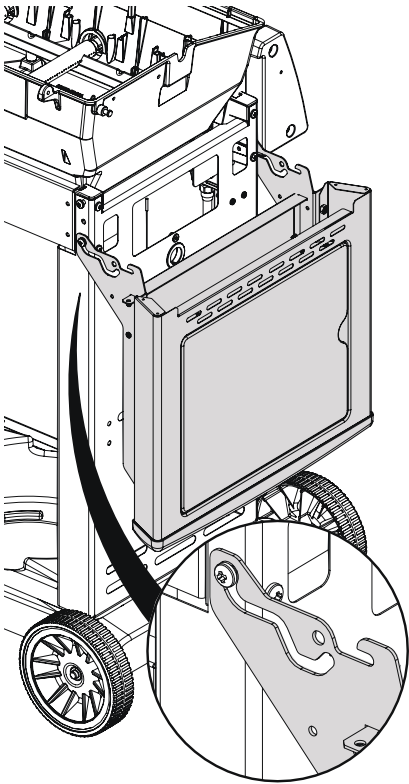
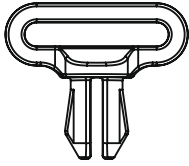
7

(1)

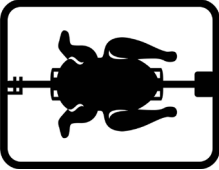


8

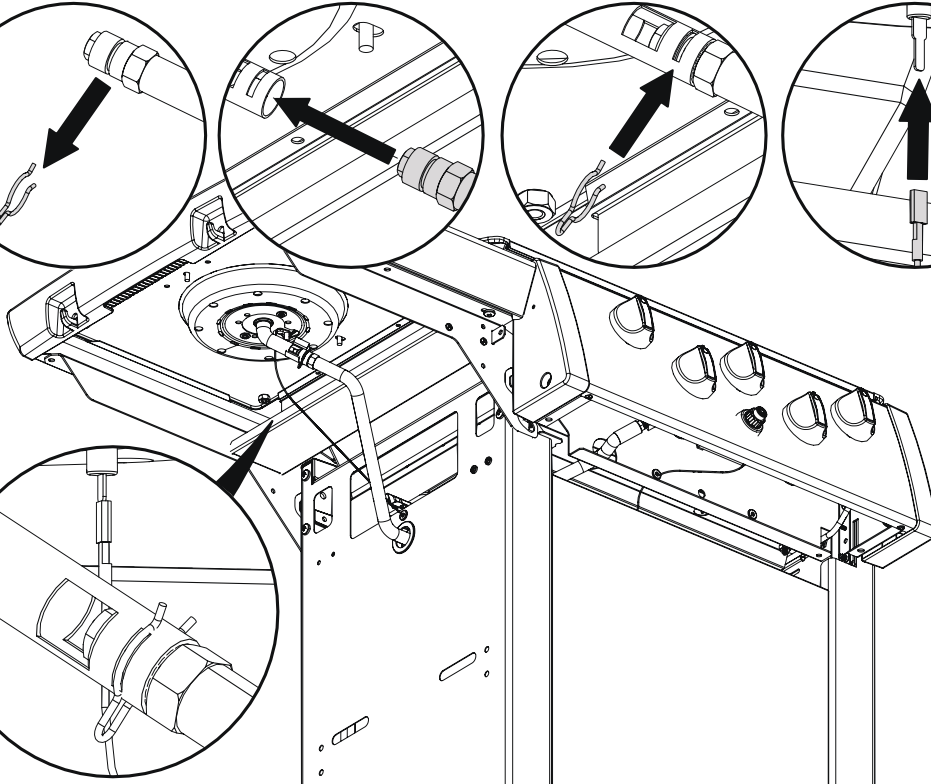
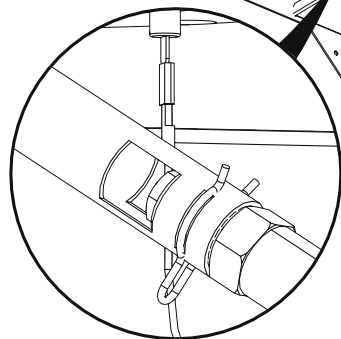
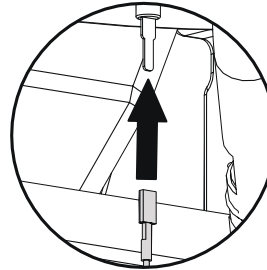
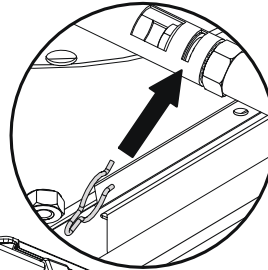
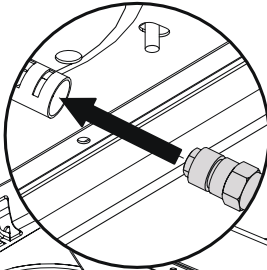
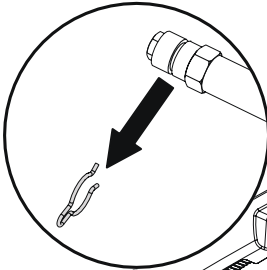
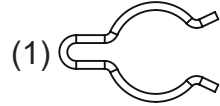
(1)



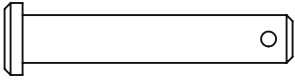
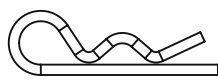
9

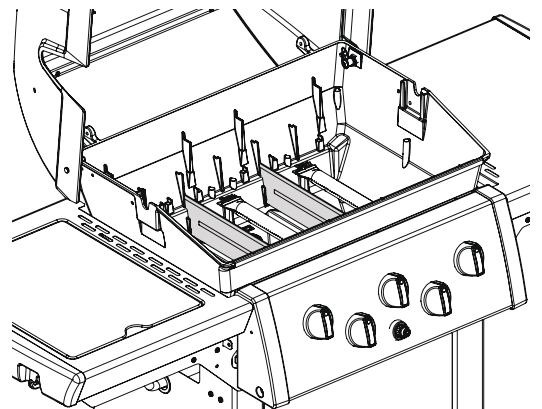
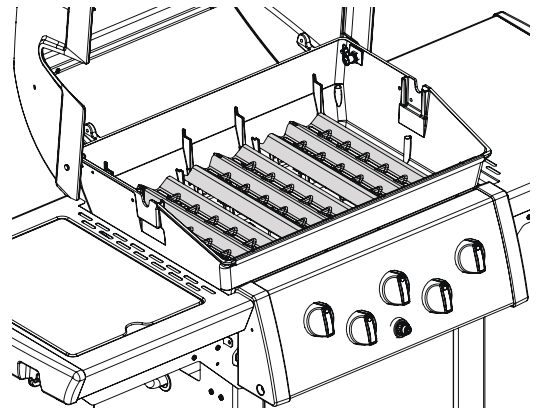
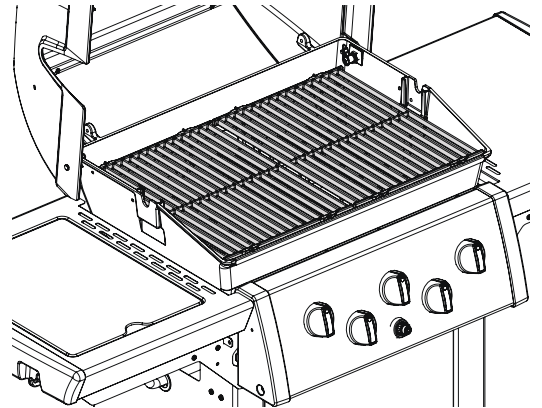
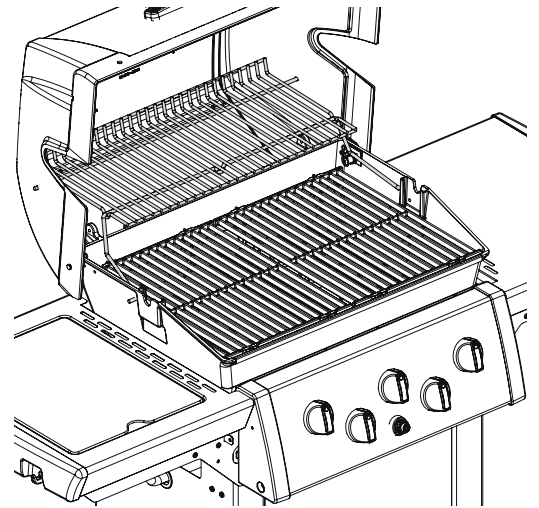
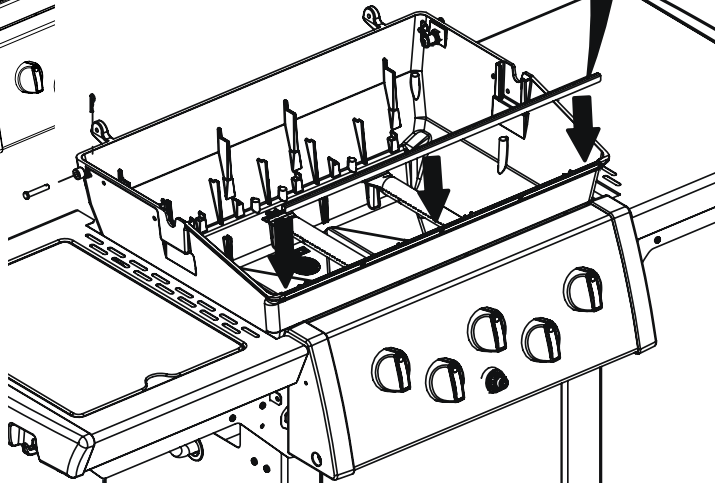
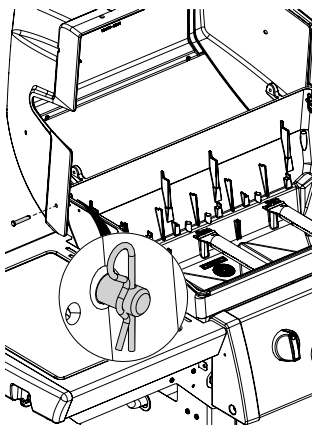
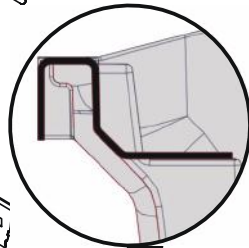
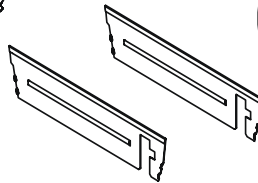
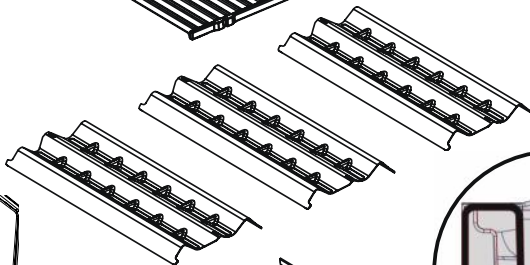
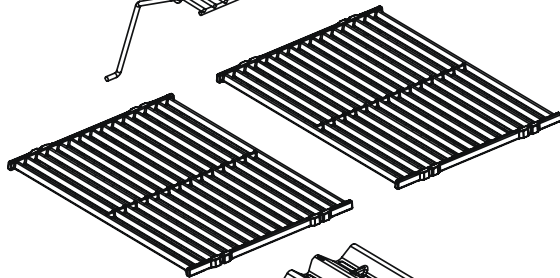
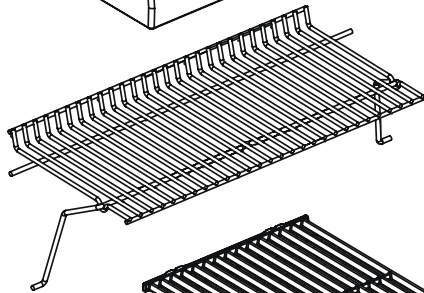
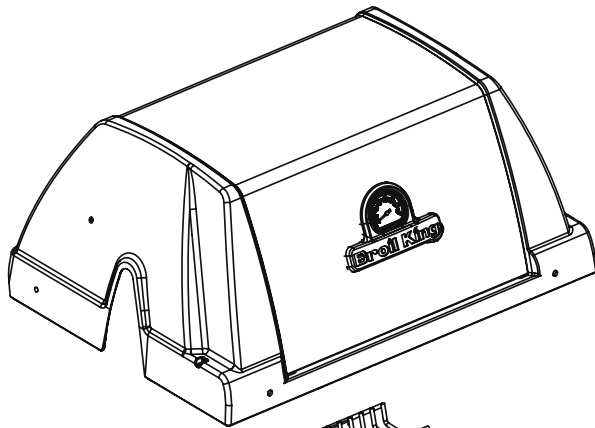


(1)

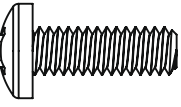


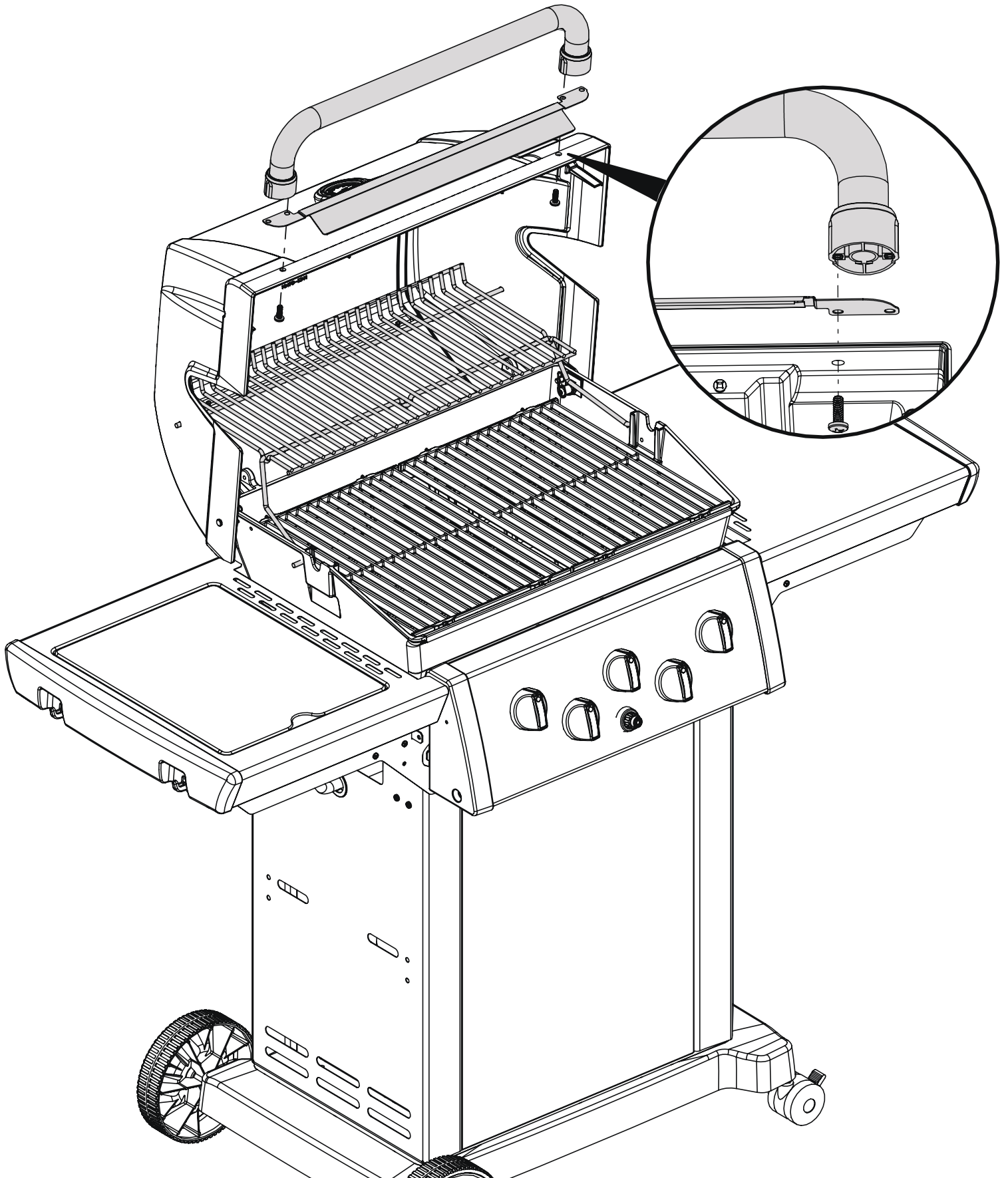
# 10

(2)  (2) 

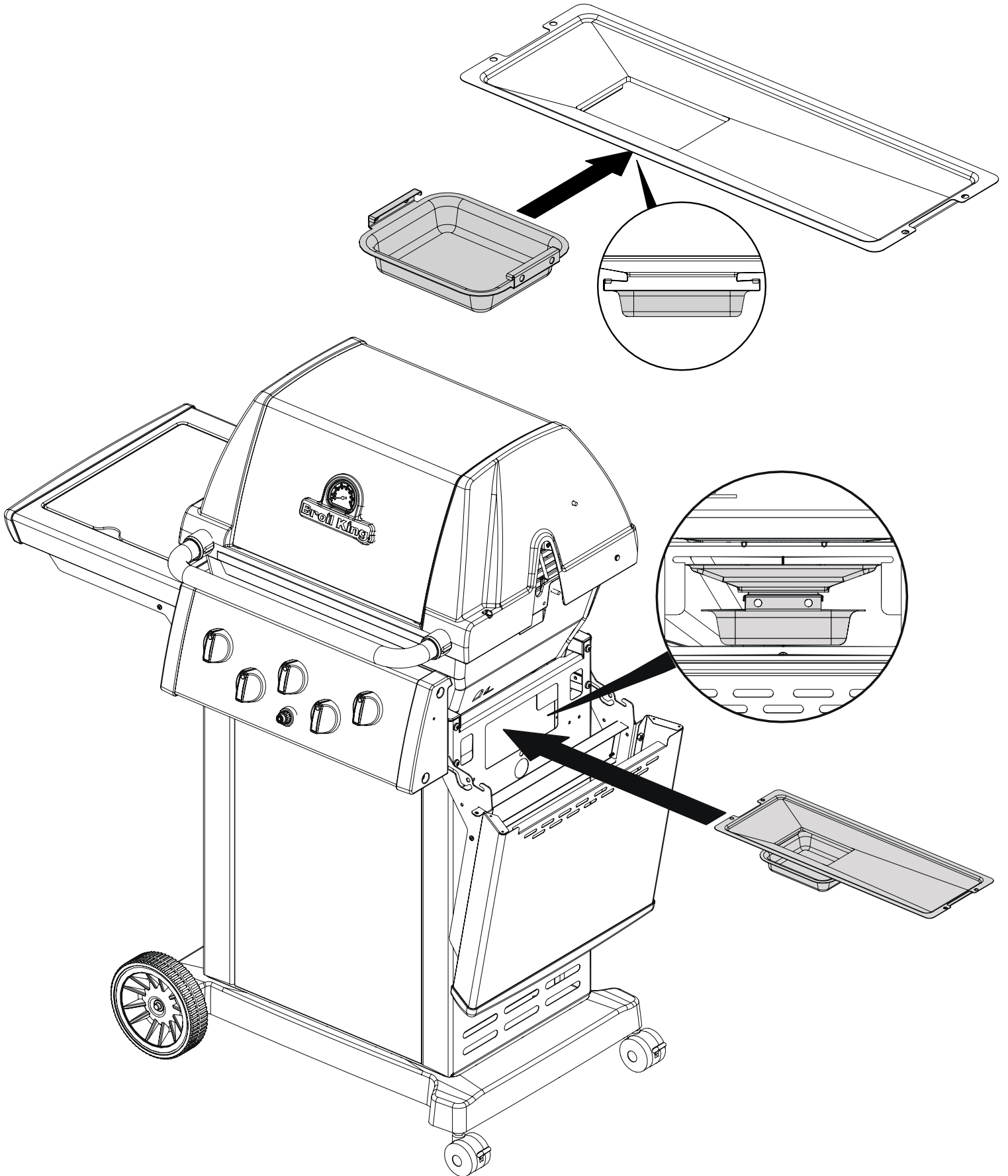


# 11

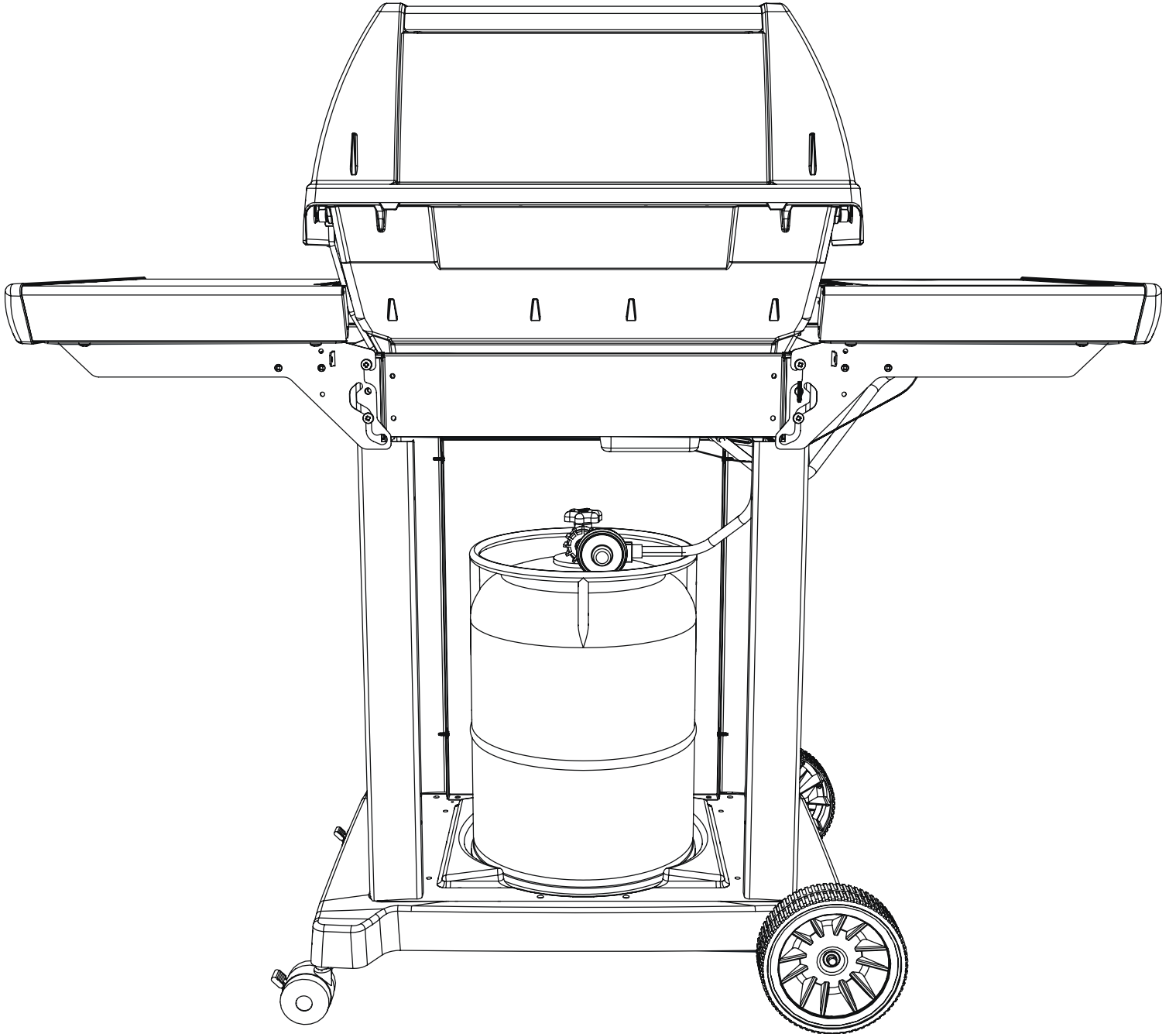
(2) 



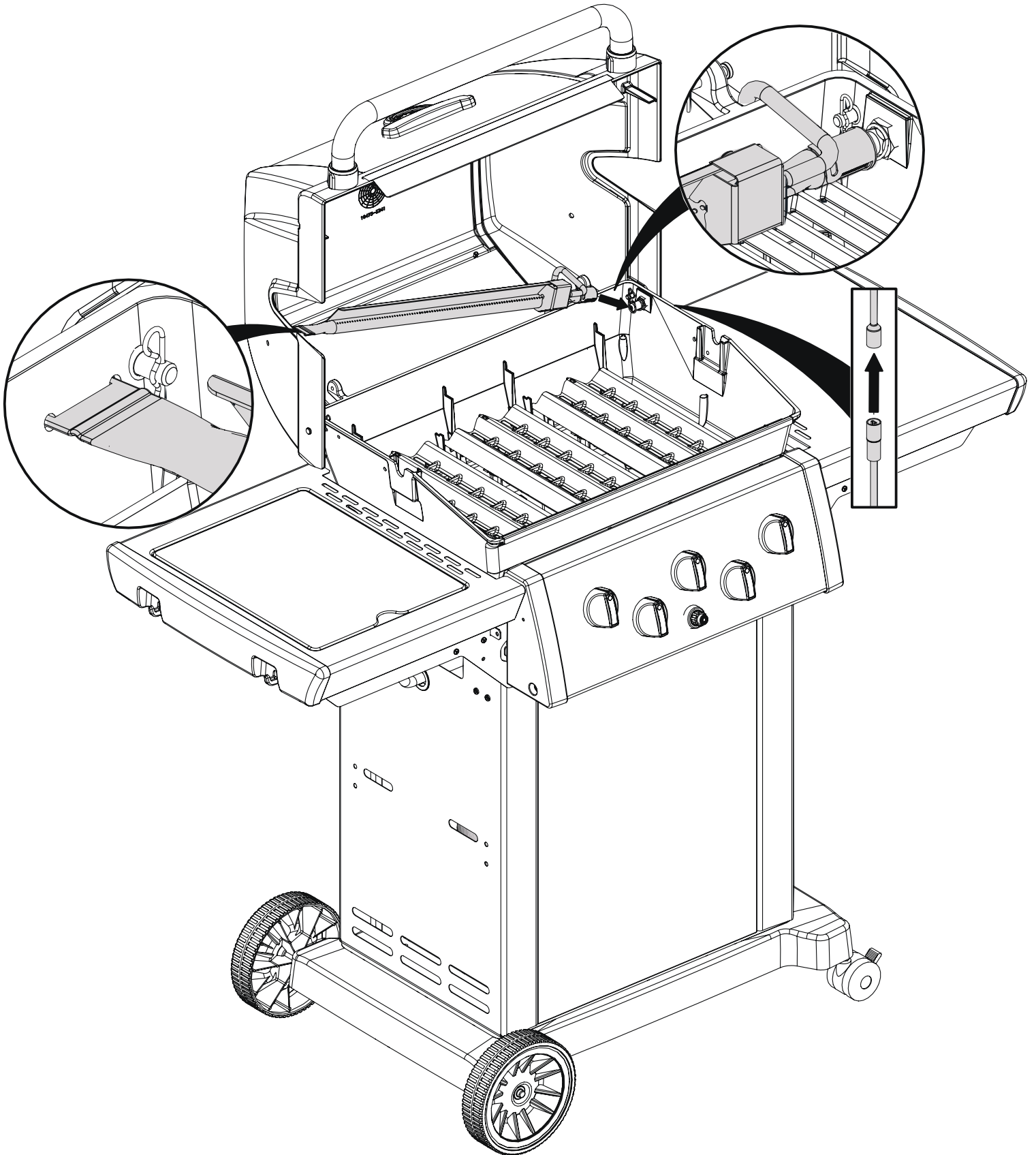
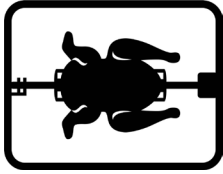


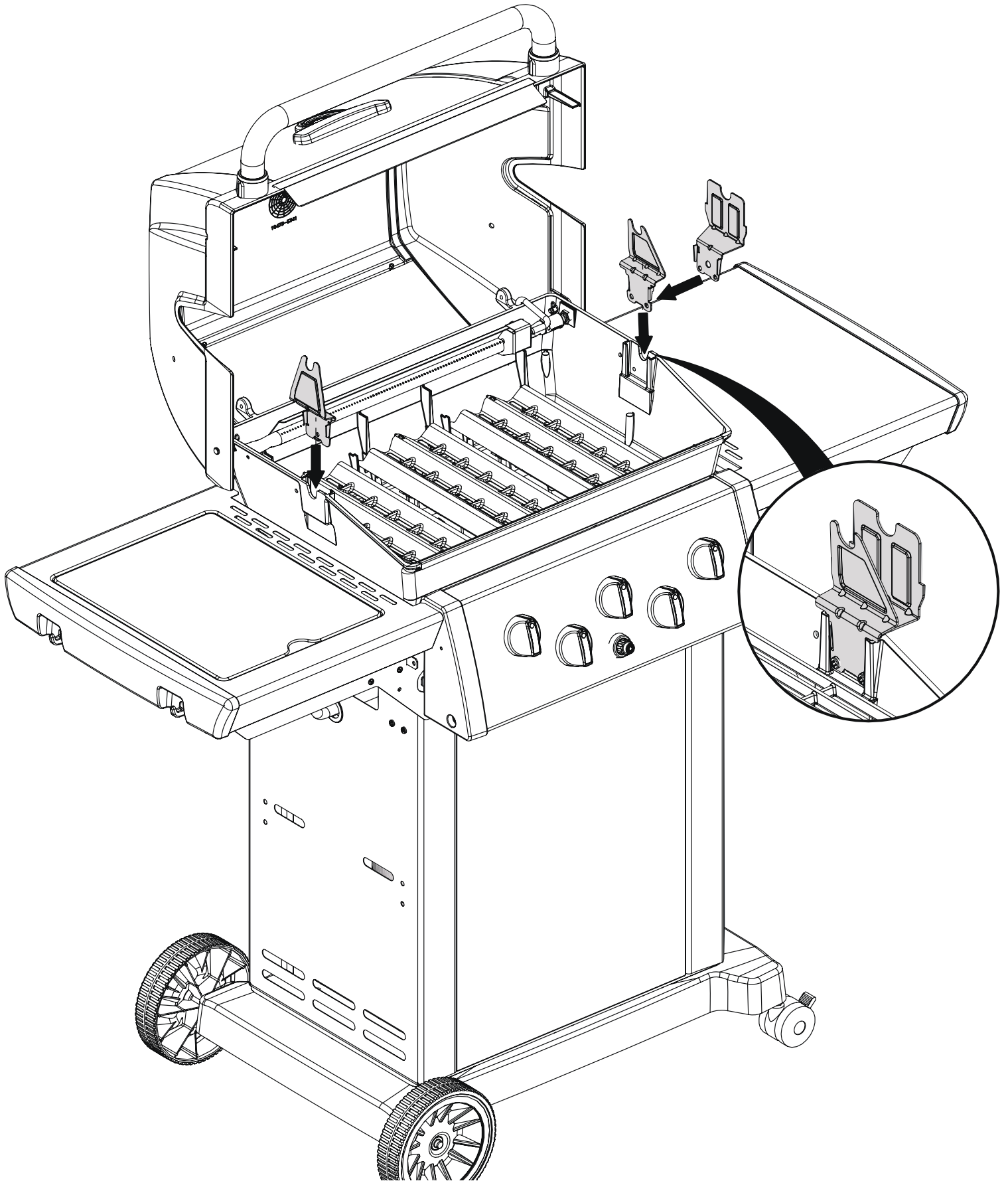


13



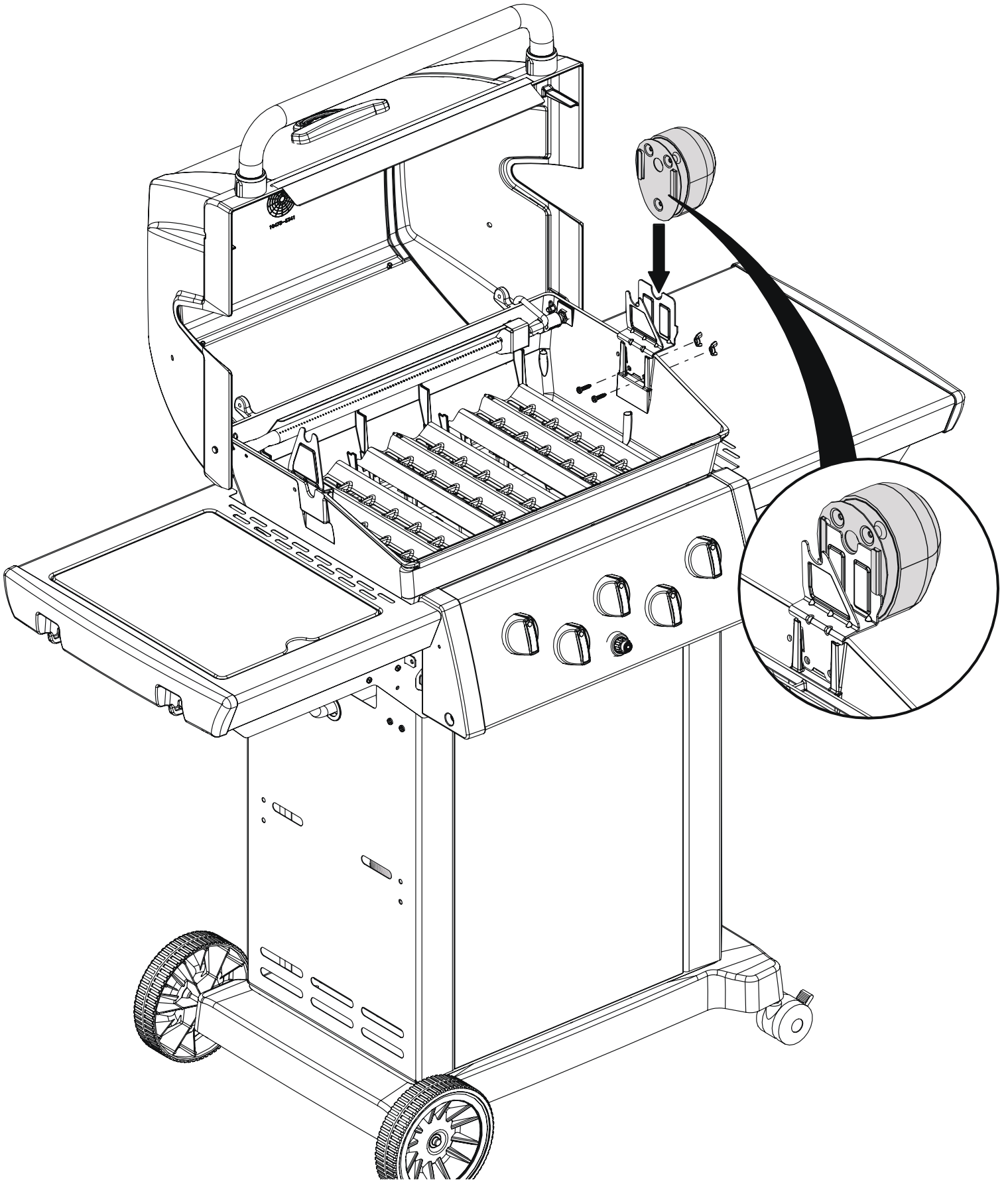
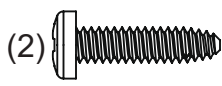
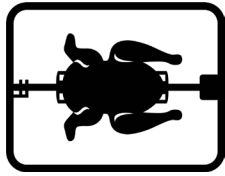
14



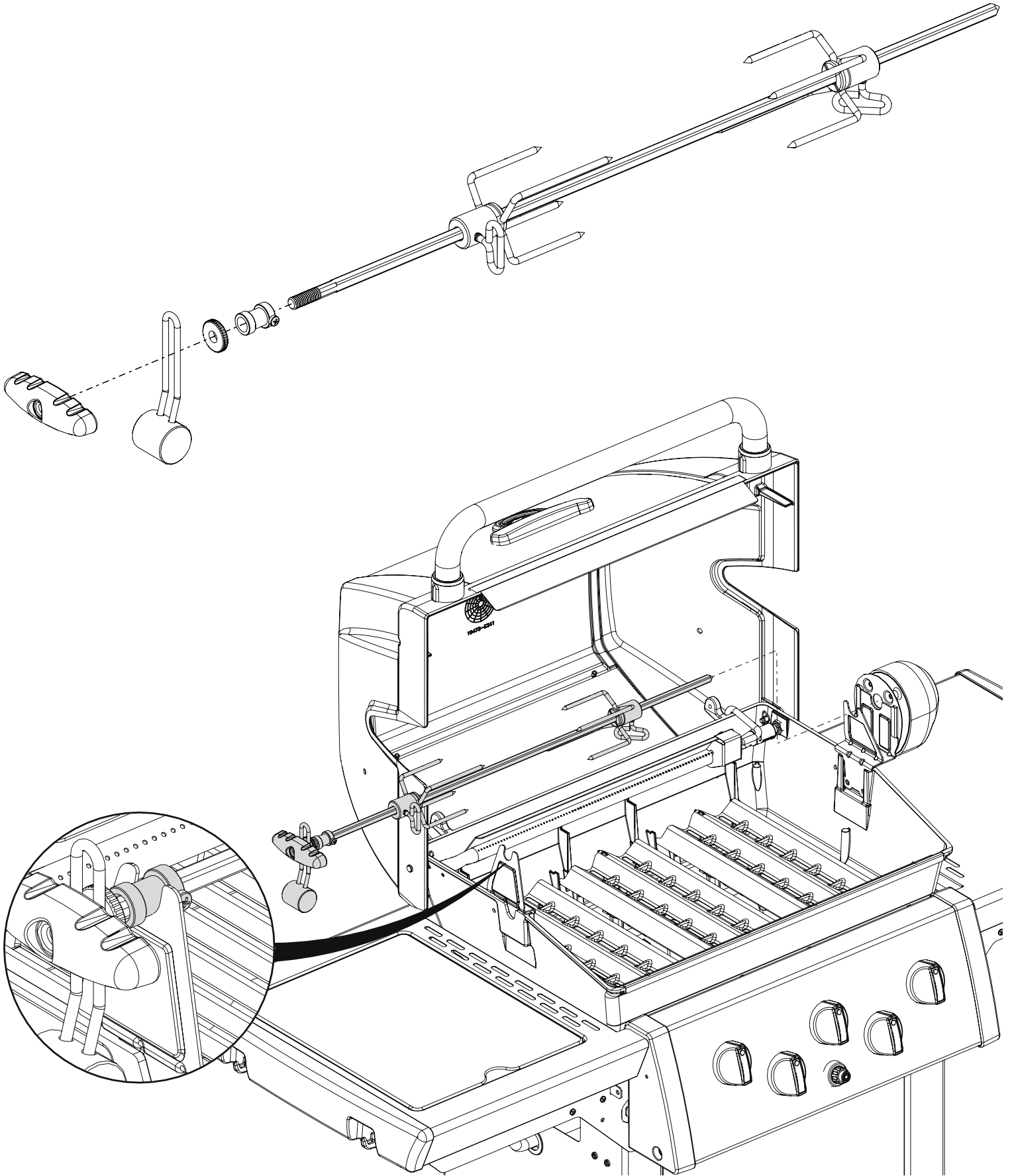
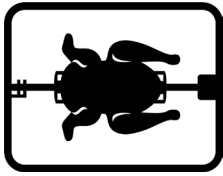




16



17



## PARTS LIST / LISTE DES PIECES

| <u>KEY #</u> | <u>ITEM #</u> | <u>DESCRIPTION</u>    | <u>8241-62</u> | <u>8241-63</u> | <u>8241-63R</u> | <u>8241-82</u> | <u>8241-83</u> |
|--------------|---------------|-----------------------|----------------|----------------|-----------------|----------------|----------------|
| 1            | 10909-E340    | CASTING BOTTOM        | 1              | 1              | 1               | 1              | 1              |
| 2            | 10473-E341    | CASTING TOP           | 1              | 1              | 1               | 1              | 1              |
| 3            | 10081-BK630   | NAMEPLATE             | 1              | 1              | 1               | 1              | 1              |
| 4            | 10958-E340A   | TOP CASTING INSERT    | 1              | 1              | 1               | 1              | 1              |
| 5            | 10571-6       | HEAT INDICATOR        | 1              | 1              | 1               | 1              | 1              |
| 6            | 10240-15      | HINGE PIN             | 2              | 2              | 1               | 2              | 2              |
| 6A           | S21237        | HINGE SPACER          | 2              | 2              | 2               | 2              | 2              |
| 7            | S21233        | HITCH PIN CLIP        | 2              | 2              | 2               | 2              | 2              |
| 8            | Y-11544S      | SCREW - BURNER        | 3              | 3              | 3               | 3              | 3              |
| 8A           | S21242        | BURNER CLIP           | 3              | 3              | 3               | 3              | 3              |
| 9            | 10225-T342    | GRID                  | 2              | 2              | 2               | 2              | 2              |
| 10           | 10222-E400    | FLAV-R-WAVE™          | 3              | 3              | 3               | 3              | 3              |
| 11           | 10225-E346    | GRID - WARMING RACK   | 1              | 1              | 1               | 1              | 1              |
| 12           | 10222-E301    | DIVIDER               | 2              | 2              | 2               | 2              | 2              |
| 13           | 10184-R83     | BOSS EXTENSION        | 1              | 1              | 1               | 1              | 1              |
| 15           | 52904-E400D   | BURNER                | 1              | .              | .               | 1              | .              |
|              | 52904-E400E   | BURNER                | .              | 1              | 1               | .              | 1              |
| 17           | 10342-246     | ELECTRONIC IGNITOR    | 1              | 1              | 1               | .              | .              |
|              | 10342-247     | ELECTRONIC IGNITOR    | .              | .              | .               | 1              | 1              |
| 18           | 10342-E12     | ELECTRODE             | 2              | 2              | 2               | 2              | 2              |
| 19           | 52014-903     | COLLECTOR BOX         | 1              | 1              | 1               | 1              | 1              |
| 20           | 10111-16A     | HOSE                  | 1              | 1              | 1               | 1              | 1              |
| 21           | 29004-032     | CONTROL ASSEMBLY      | 1              | .              | .               | .              | .              |
|              | 29004-033     | CONTROL ASSEMBLY      | .              | 1              | 1               | .              | .              |
|              | 29004-072     | CONTROL ASSEMBLY      | .              | .              | .               | 1              | .              |
|              | 29004-073     | CONTROL ASSEMBLY      | .              | .              | .               | .              | 1              |
| 21A          | S13470-073    | HOSE-SIDE BURNER      | 1              | .              | .               | 1              | .              |
|              | S13470-079    | HOSE-SIDE BURNER      | .              | 1              | 1               | .              | 1              |
| 21B          | Y-11230       | COTTER PIN            | 1              | 1              | 1               | 1              | 1              |
| 21C          | 10110-34      | TUBE-REAR BURNER ASSY | .              | .              | .               | 1              | 1              |
| 23           | 10472-K431    | CONTROL KNOB          | 4              | 4              | 4               | 5              | 5              |
| 30           | 10194-F158    | CONTROL COVER         | 1              | 1              | 1               | .              | .              |
|              | 10194-F198    | CONTROL COVER         | .              | .              | .               | 1              | 1              |
| 31           | 10711-E34     | EDGE CAP              | 1              | 1              | 1               | 1              | 1              |
| 32           | 10711-E33     | EDGE CAP              | 1              | 1              | 1               | 1              | 1              |
| 33           | 10184-E96     | RADIATION SHIELD      | 1              | 1              | 1               | 1              | 1              |
| 34           | 10184-E97     | GREASE RAIL           | 1              | 1              | 1               | 1              | 1              |
| 35           | 10184-E501    | SUPPORT-CASTING-LEFT  | 1              | 1              | 1               | 1              | 1              |
| 36           | 10184-E511    | SUPPORT-CASTING-RIGHT | 1              | 1              | 1               | 1              | 1              |
| 37           | 10184-E651    | SUPPORT-SIDE SHELF    | 2              | 2              | 2               | 2              | 2              |
| 37A          | 10184-E62     | SUPPORT-SIDE SHELF    | 2              | 2              | 2               | 2              | 2              |
| 38           | 10184-E641    | SUPPORT-SIDE SHELF    | 2              | 2              | 2               | 2              | 2              |
| 38A          | 10184-E63     | SUPPORT-SIDE SHELF    | 2              | 2              | 2               | 2              | 2              |
| 39           | 10956-E421    | BRACE-REAR            | 1              | 1              | 1               | 1              | 1              |
| 40           | 10958-E71     | BASE                  | 1              | 1              | 1               | 1              | 1              |
| 41           | 10956-E311    | BRACE-FRONT           | 1              | 1              | 1               | 1              | 1              |
| 43           | 10958-E761    | SIDE PANEL            | 2              | 2              | 2               | 2              | 2              |
| 44           | 10958-E348    | FRONT PANEL           | 1              | 1              | 1               | 1              | 1              |
| 48           | 10184-E691    | BRACKET - SHELF       | 2              | 2              | 2               | 2              | 2              |
| 50           | 10711-E821    | SHELF                 | 1              | 1              | 1               | 1              | 1              |
| 51           | 10711-E831    | SHELF                 | 1              | 1              | 1               | 1              | 1              |
| 56           | 10892-7G      | WHEEL                 | 2              | 2              | 2               | 2              | 2              |
| 60           | 10711-E49     | END CAP - SHELF       | 2              | 2              | 2               | 2              | 2              |
| 66           | S13006A       | BURNER ROTISSERIE     | .              | .              | .               | 1              | 1              |
| 68           | S21362        | SPRING                | .              | .              | .               | 1              | 1              |
| 71           | 10696-085     | REAR BURNER-ORIFICE   | .              | .              | .               | 1              | .              |
|              | 10696-094     | REAR BURNER-ORIFICE   | .              | .              | .               | .              | 1              |
| 72           | S21420        | PUSH NUT              | 2              | 2              | 2               | 2              | 2              |
| 73           | Y-11990       | HEX NUT               | .              | .              | .               | 1              | 1              |

## PARTS LIST / LISTE DES PIECES

| <u>KEY #</u> | <u>ITEM #</u> | <u>DESCRIPTION</u>   | <u>8241-62</u> | <u>8241-63</u> | <u>8241-63R</u> | <u>8241-82</u> | <u>8241-83</u> |
|--------------|---------------|----------------------|----------------|----------------|-----------------|----------------|----------------|
| 75           | 24009-12AB    | HANDLE               | 1              | 1              | 1               | 1              | 1              |
| 78           | 10892-13      | CASTOR               | 2              | 2              | 2               | 2              | 2              |
| 79           | Y-11563       | SCREW #14-10 X 1 3/4 | 8              | 8              | 8               | 8              | 8              |
| 80           | Y-11546       | SCREW 1/4-20 X 5/8   | 8              | 8              | 8               | 8              | 8              |
| 81           | Y-12860       | SCREW 1/4-20 X 1 3/8 | 4              | 4              | 4               | 4              | 4              |
| 82           | Y-12673       | SHELF - LOCK PIN     | 2              | 2              | 2               | 2              | 2              |
| 83           | Y-12865       | SCREW 1/4-20 X 1/2   | 6              | 6              | 6               | 6              | 6              |
| 84           | S15170        | AXLE                 | 1              | 1              | 1               | 1              | 1              |
| 85           | Y-12855       | SCREW 1/4-20 X 3/8   | 8              | 8              | 8               | 8              | 8              |
| 86           | 10184-E09     | HEAT SHIELD          | 1              | 1              | 1               | 1              | 1              |
| 87           | Y-11793       | NUT 1/4-20           | 12             | 12             | 12              | 12             | 12             |
| 96           | S21125        | SCREW #8 X 3/8       | 4              | 4              | 4               | 4              | 4              |
| 97           | Y-11545       | SCREW 1/4-20 X 1 3/8 | 4              | 4              | 4               | 4              | 4              |
| 98           | S21124        | SCREW #8 X 1/2       | 29             | 29             | 29              | 29             | 29             |
| 99           | Y-12646       | SCREW #8 X 1/2       | 2              | 2              | 2               | 2              | 2              |
| 104          | Y-12835       | SCREW #6-32 X 1/4    | 2              | 2              | 2               | 2              | 2              |
| 105          | Y-12853       | WASHER               | 2              | 2              | 2               | 2              | 2              |
| 110          | 23009-951     | GRID                 | 1              | 1              | 1               | 1              | 1              |
| 111          | 10390-E10D    | SIDE BURNER          | 1              | .              | .               | 1              | .              |
|              | 10390-E10E    | SIDE BURNER          | .              | 1              | 1               | .              | 1              |
| 113          | 10342-T16     | ELECTRODE            | 1              | 1              | 1               | 1              | 1              |
| 114          | 23000-251     | COVER-SIDE BURNER    | 1              | 1              | 1               | 1              | 1              |
| 115          | Y-29304       | SCREW #10-24 X 3/8   | 2              | 2              | 2               | 2              | 2              |
| 117          | 23000-271     | SHELF-SIDE BURNER    | 1              | 1              | 1               | 1              | 1              |
| 122          | 57154-901     | GREASE TRAY          | 1              | 1              | 1               | 1              | 1              |
| 123          | 52009-901     | GREASE PAN           | 1              | 1              | 1               | 1              | 1              |
| 135          | Y-12119       | BUSHING              | 3              | 3              | 3               | 3              | 3              |
| 136          | 10184-E44     | ROTISSERIE SHIELD    | 1              | 1              | 1               | 1              | 1              |
| 137          | 10184-E42     | ROTISSERIE BRACKET   | 1              | 1              | 1               | 1              | 1              |
| 138          | 10184-E43     | ROTISSERIE SHIELD    | 1              | 1              | 1               | 1              | 1              |
| 139          | S21061        | WING NUT             | .              | .              | 2               | 2              | 2              |
| 140          | Y-29306       | SCREW #10-24 x 3/4   | .              | .              | 2               | 2              | 2              |
| 141          | S15271        | HANDLE               | .              | .              | 1               | 1              | 1              |
| 142          | S15270        | BALANCER             | .              | .              | 1               | 1              | 1              |
| 143          | S15263        | BUSHING              | .              | .              | 1               | 1              | 1              |
| 144          | Y-12220       | BUSHING              | 1              | 1              | 1               | 1              | 1              |
| 145          | S15264        | SPIT ROD             | .              | .              | 1               | 1              | 1              |
| 146          | S15246        | MOTOR                | .              | .              | 1               | 1              | 1              |
| 147          | S15299        | WASHER               | .              | .              | 1               | 1              | 1              |
| 148          | S15287        | 4 PRONG FORKS        | .              | .              | 1               | 1              | 1              |
| 156          | Y-12310       | SCREW 1/4-20 X 3/4   | 2              | 2              | 2               | 2              | 2              |
| 166          | Y-12117       | BUSHING              | 2              | 2              | 2               | 2              | 2              |

