

Broil King®



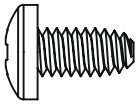

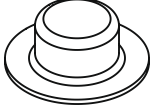
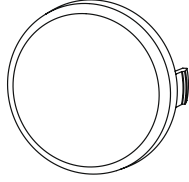
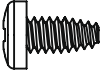
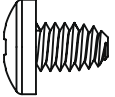
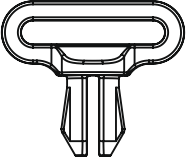



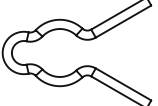

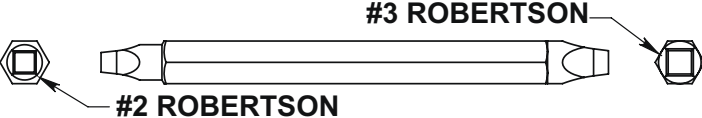
Broil King®

BK 310
9323-53
9323-53NZ

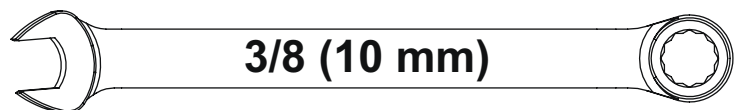
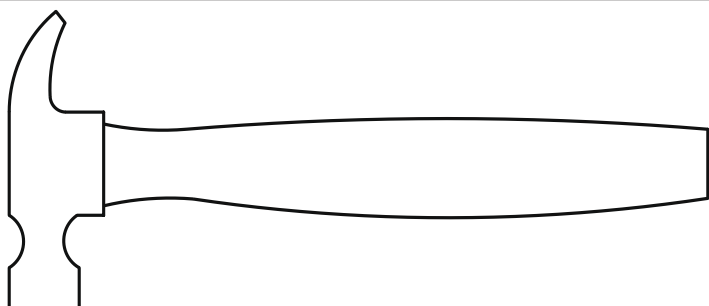
Onward
SINCE 1906
MANUFACTURING COMPANY
585 KUMPF DRIVE LIMITED
WATERLOO, ONTARIO, CANADA
N2V 1K3

10084-E55EU REV D 07/22

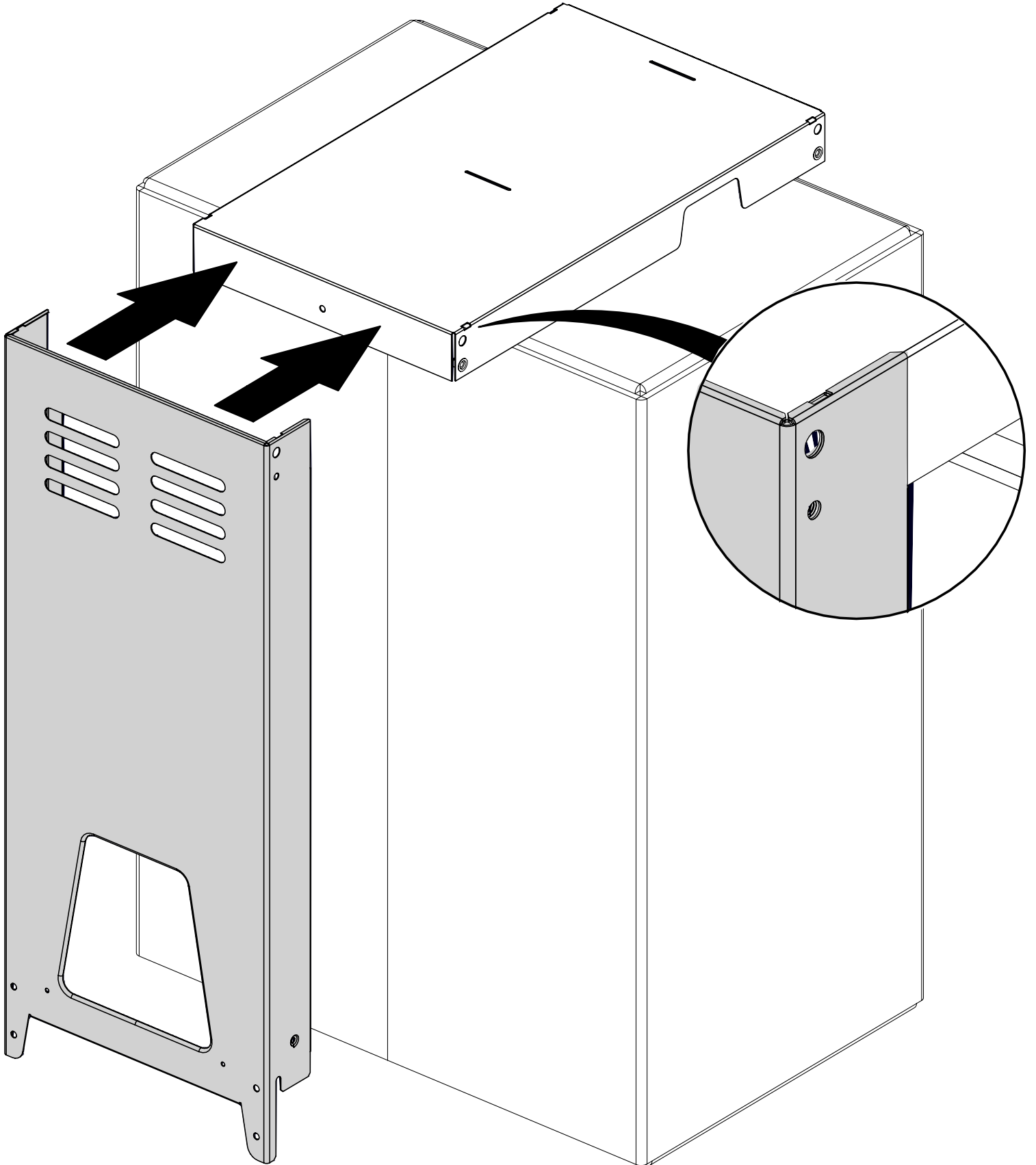
HARDWARE INCLUDED / MATERIAL INCLUS / EQUIPOS INCLUIDO

Y-12865		(4)	AAA		(1)
S21420		(2)	32001-152		(2)
Y-29304		(4)	Y-12855		(10)
Y-12673		(2)	S21124		(2)
SP5001-40		(2)	S21061		(2)
SP5004-15		(2)	Y-29307		(2)
 <p>#3 ROBERTSON</p> <p>#2 ROBERTSON</p>					

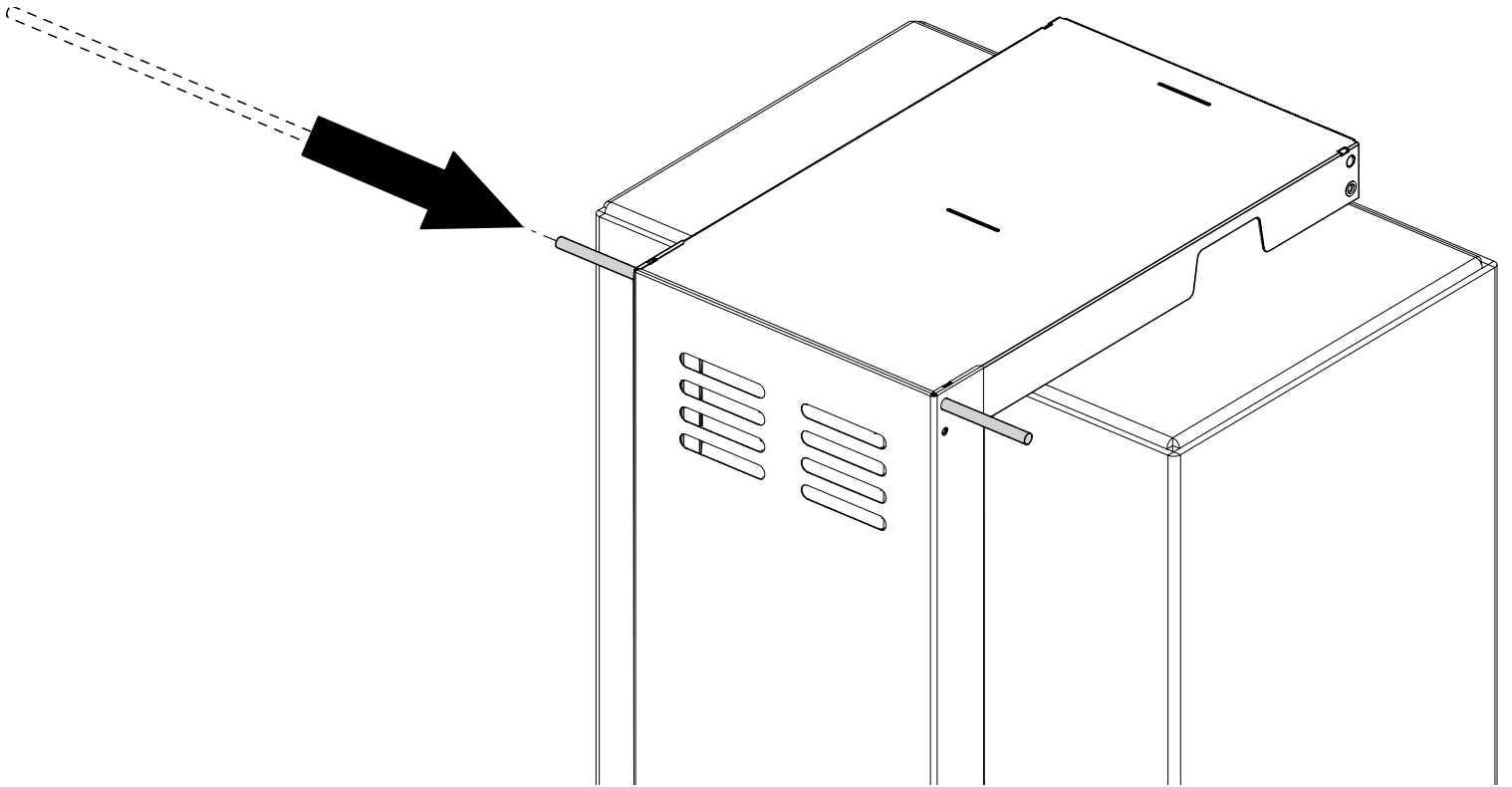
TOOLS REQUIRED / OUTILS NECESSAIRES / HERRAMIENTAS NECESARIAS



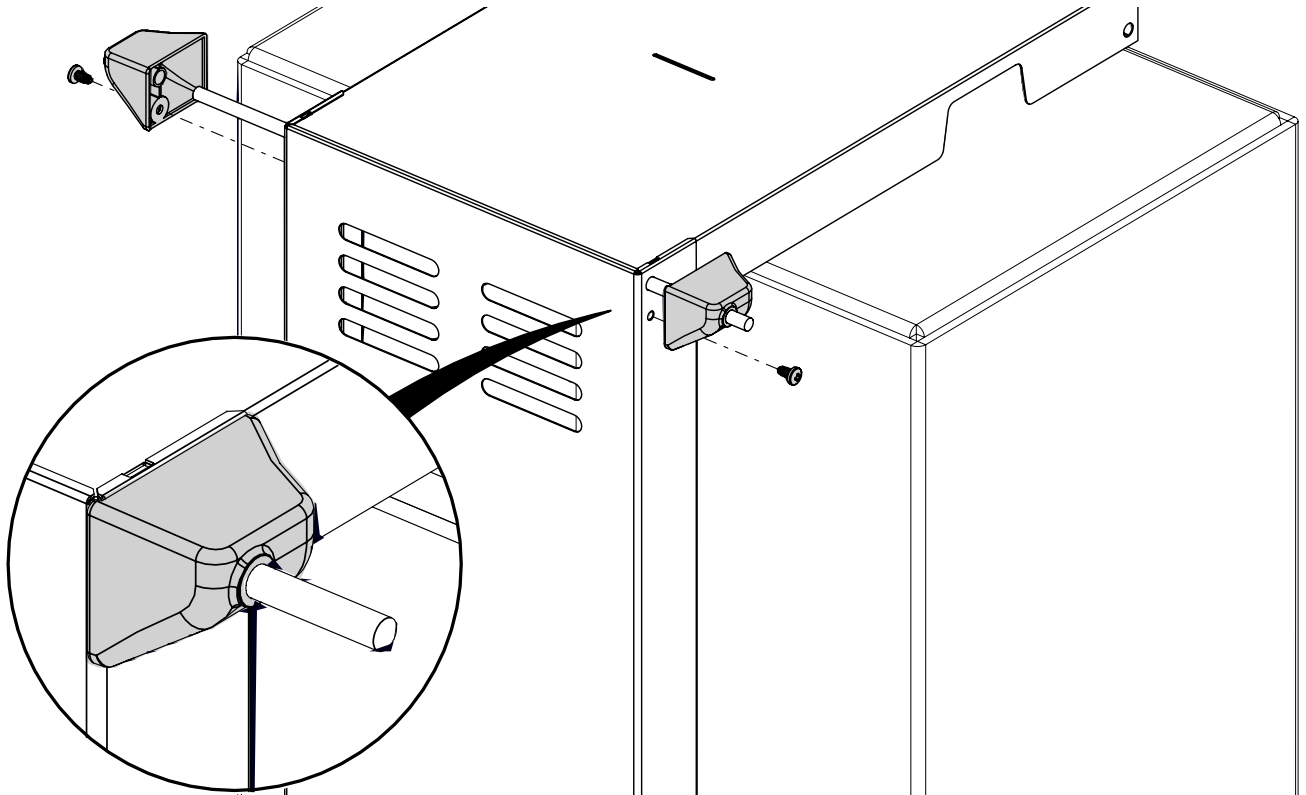
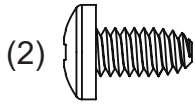
1



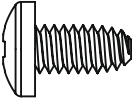
2

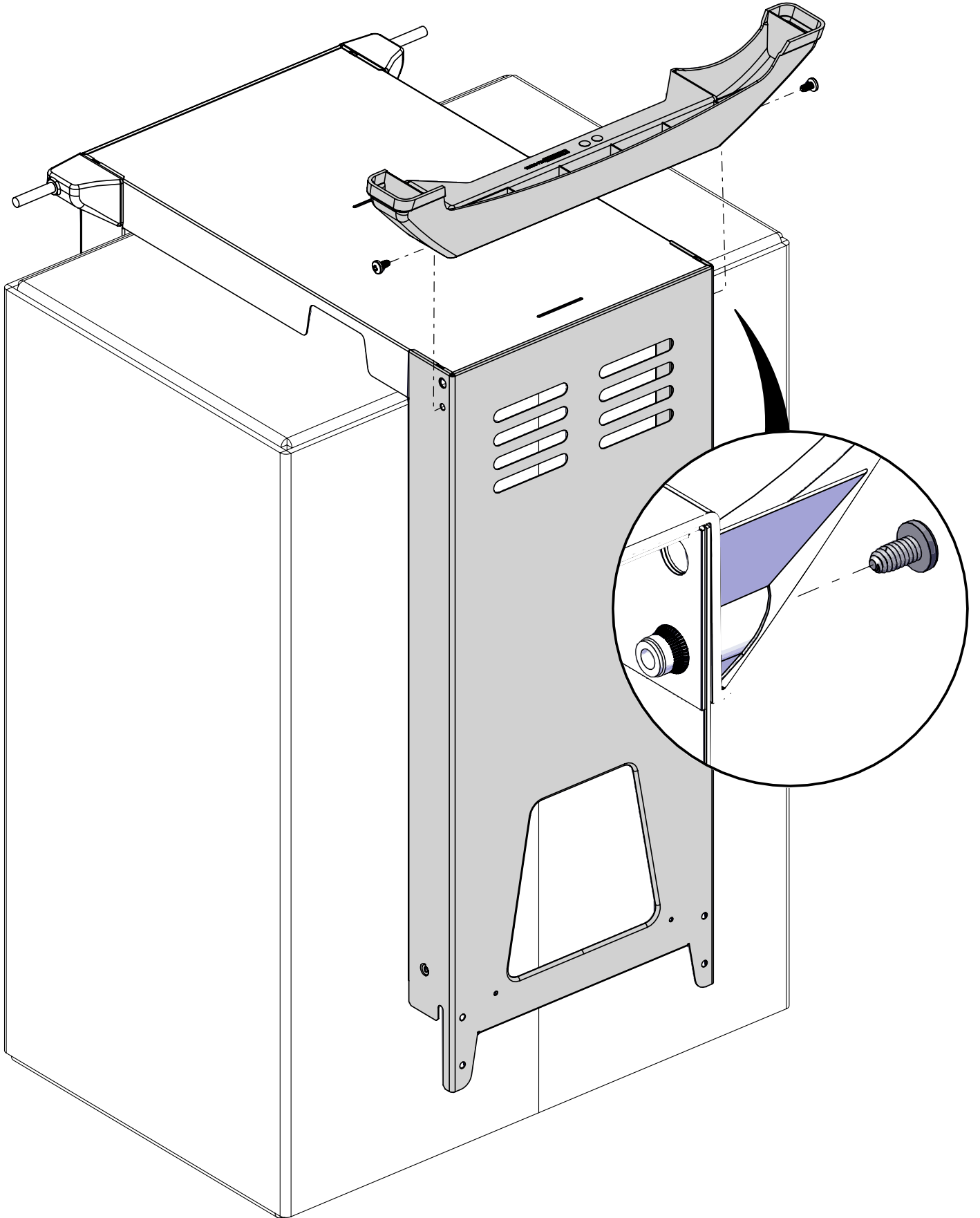


3



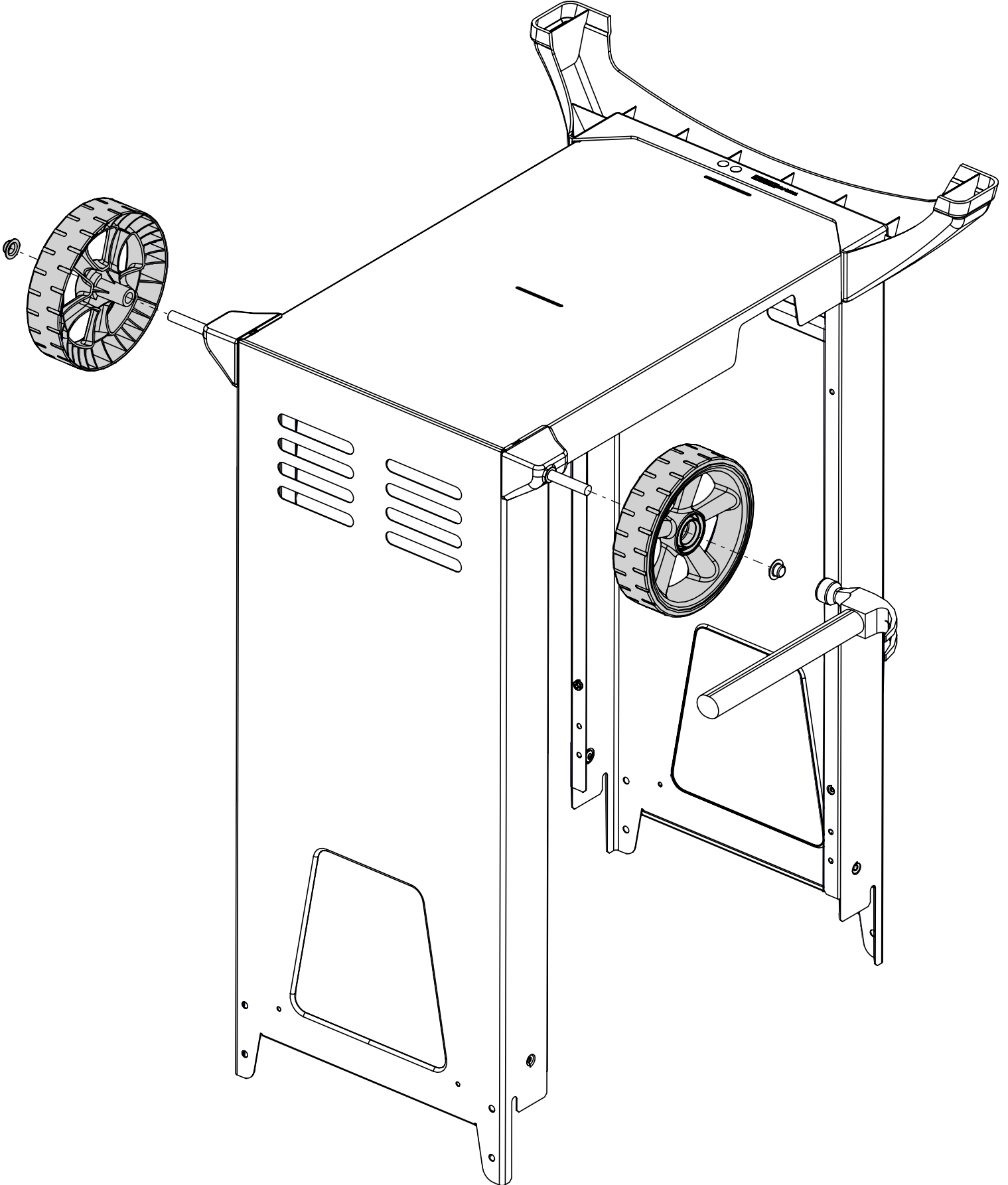
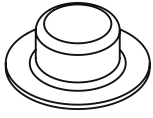
4

(2) 



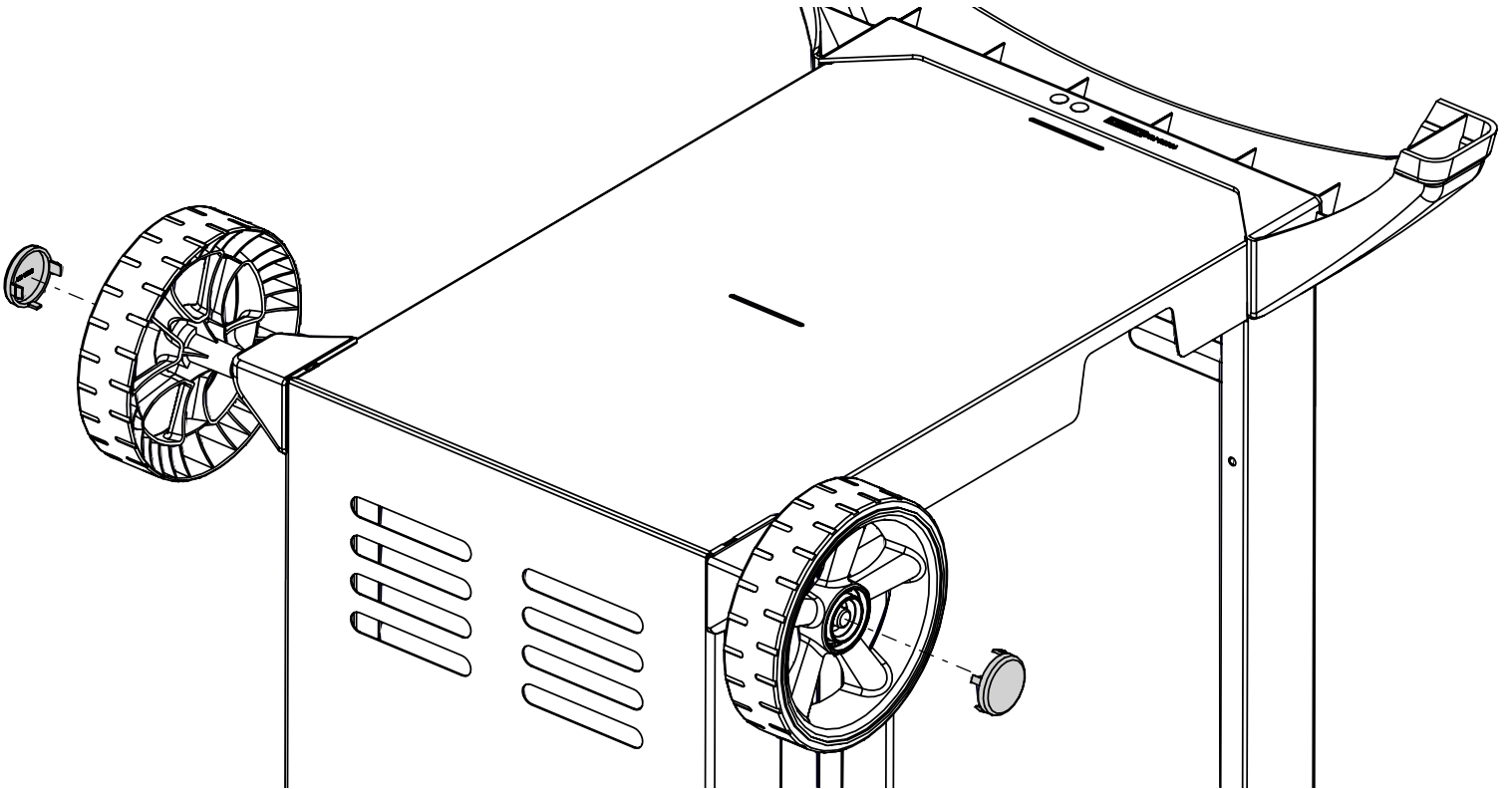
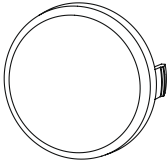
5

(2)

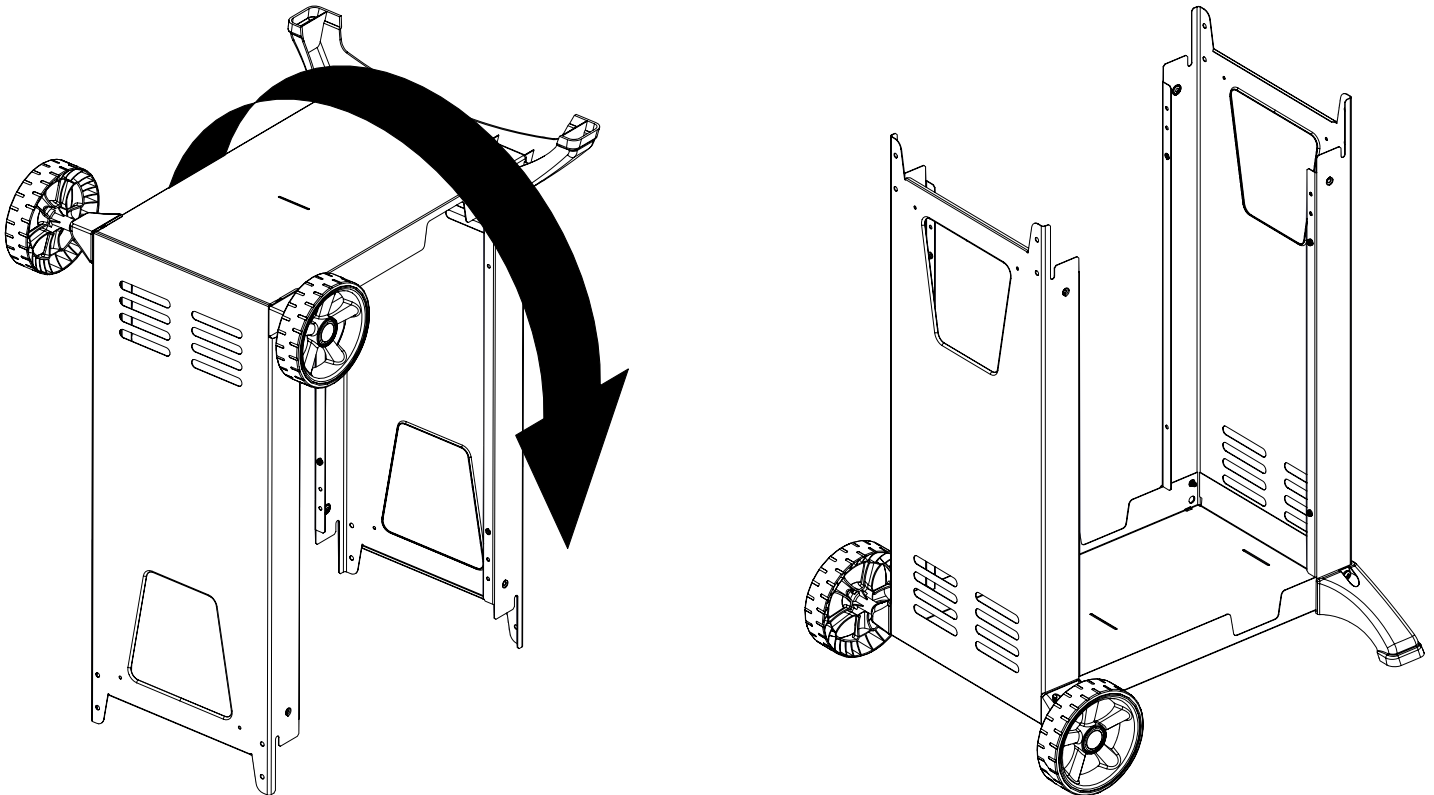


6

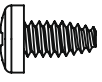
(2)

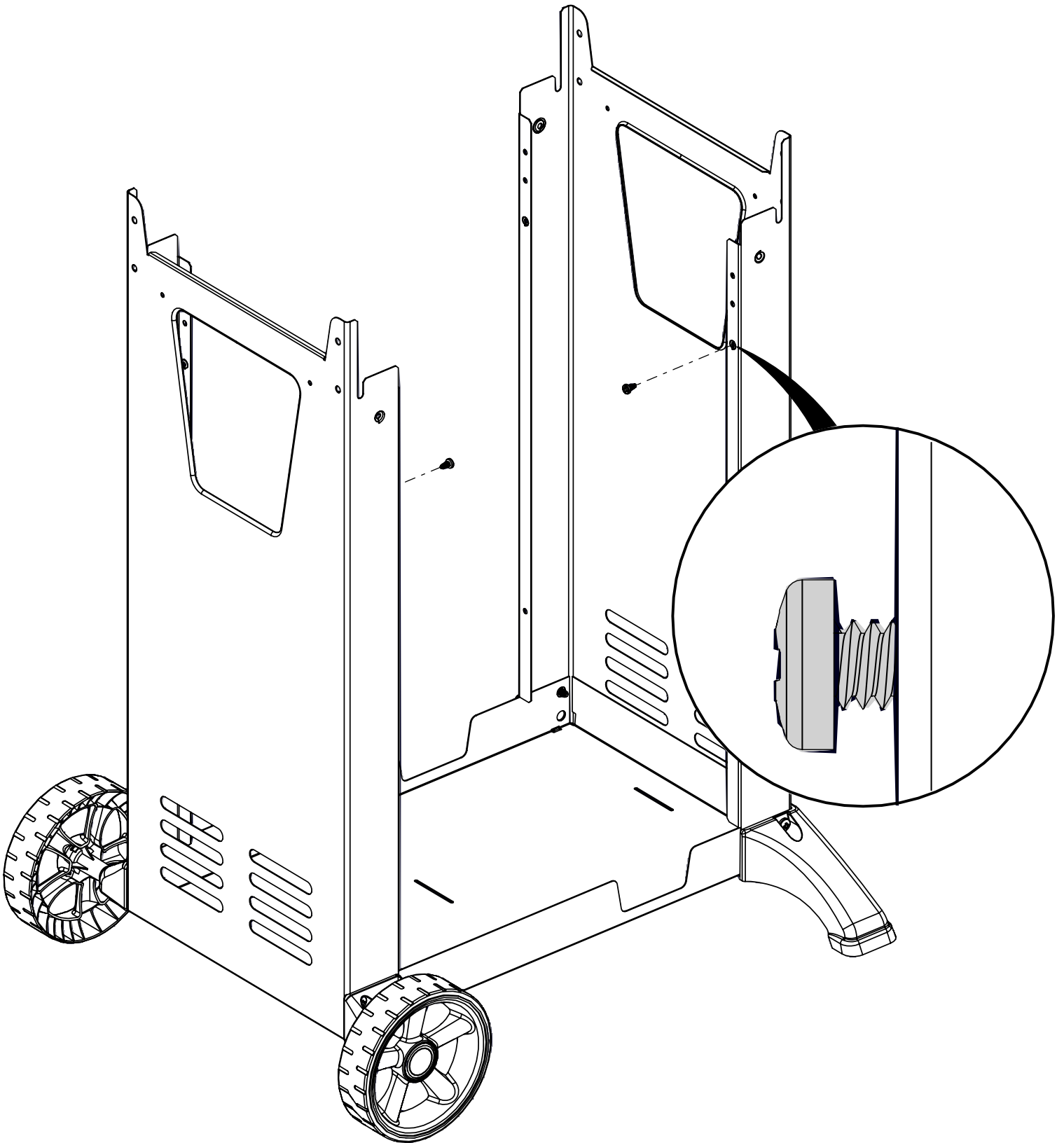


7

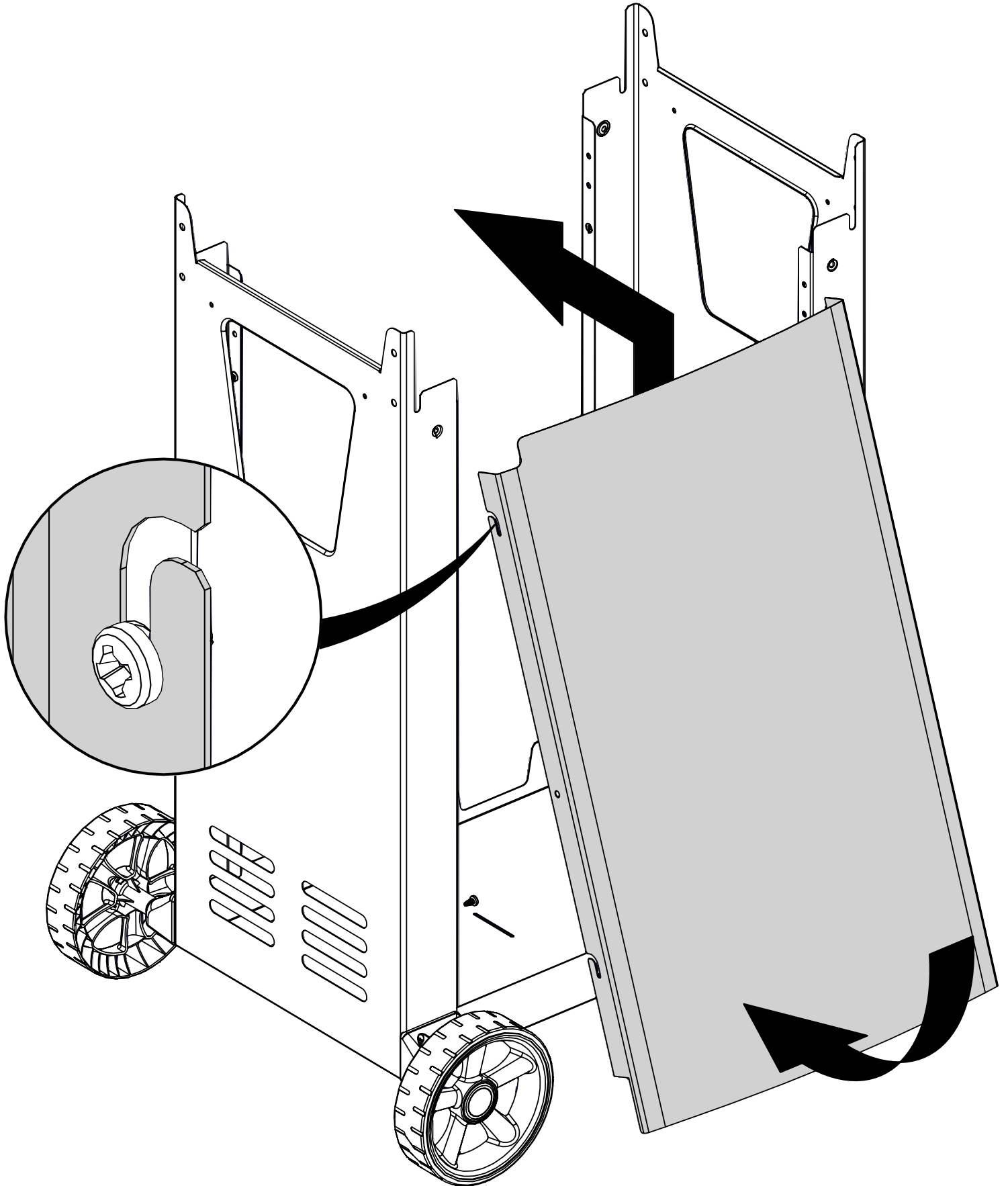


8

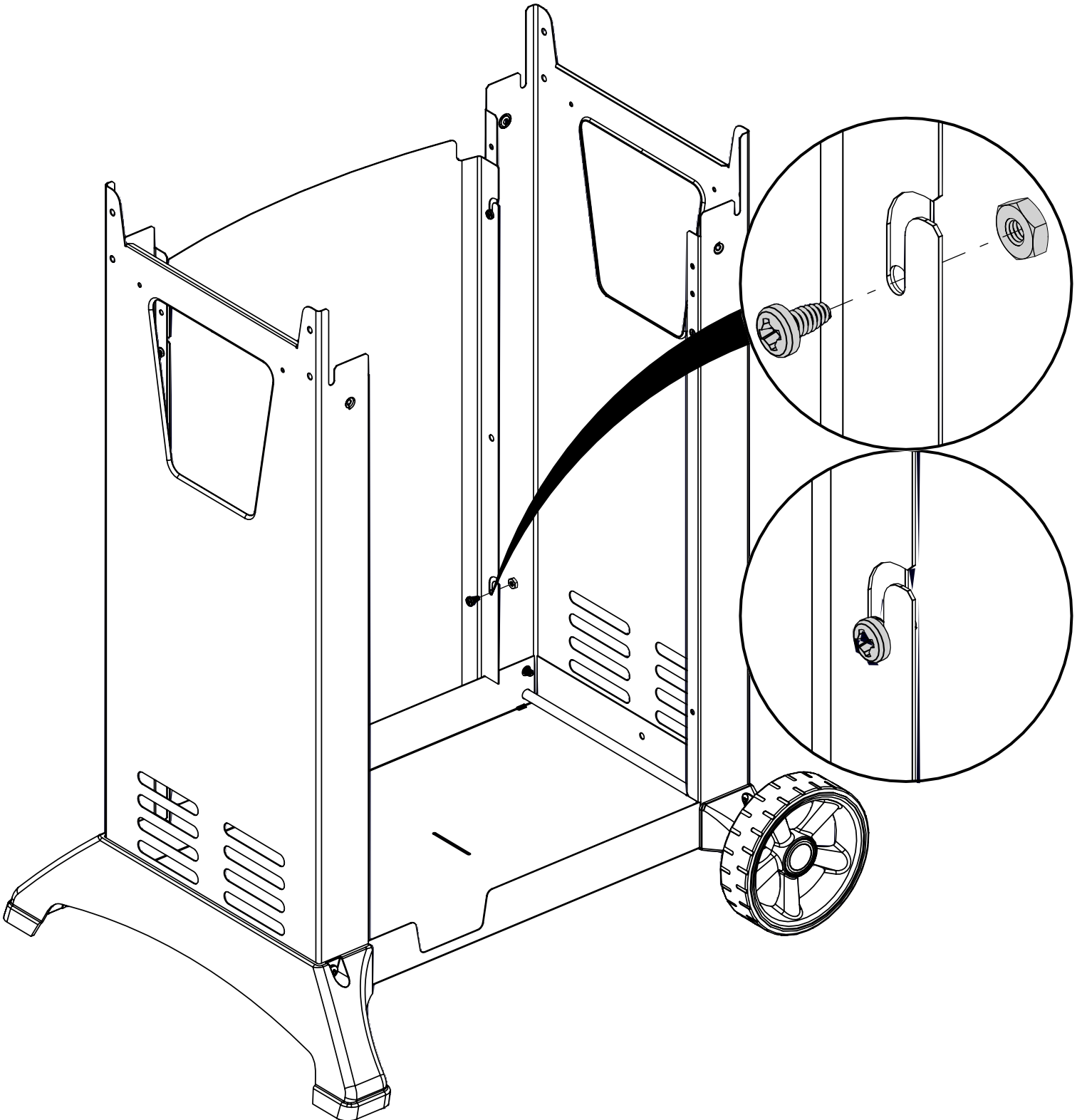
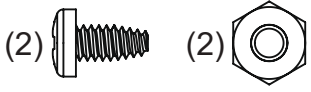
(2) 



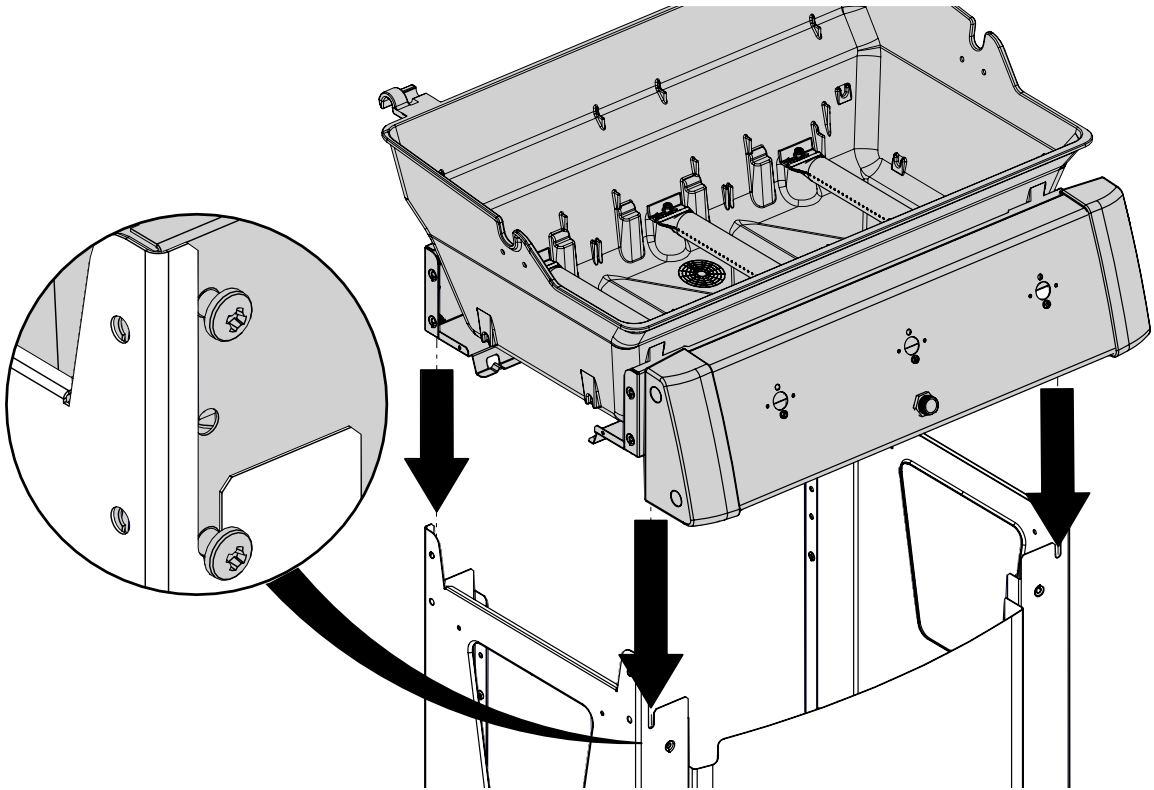
9



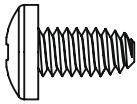
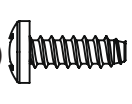
10

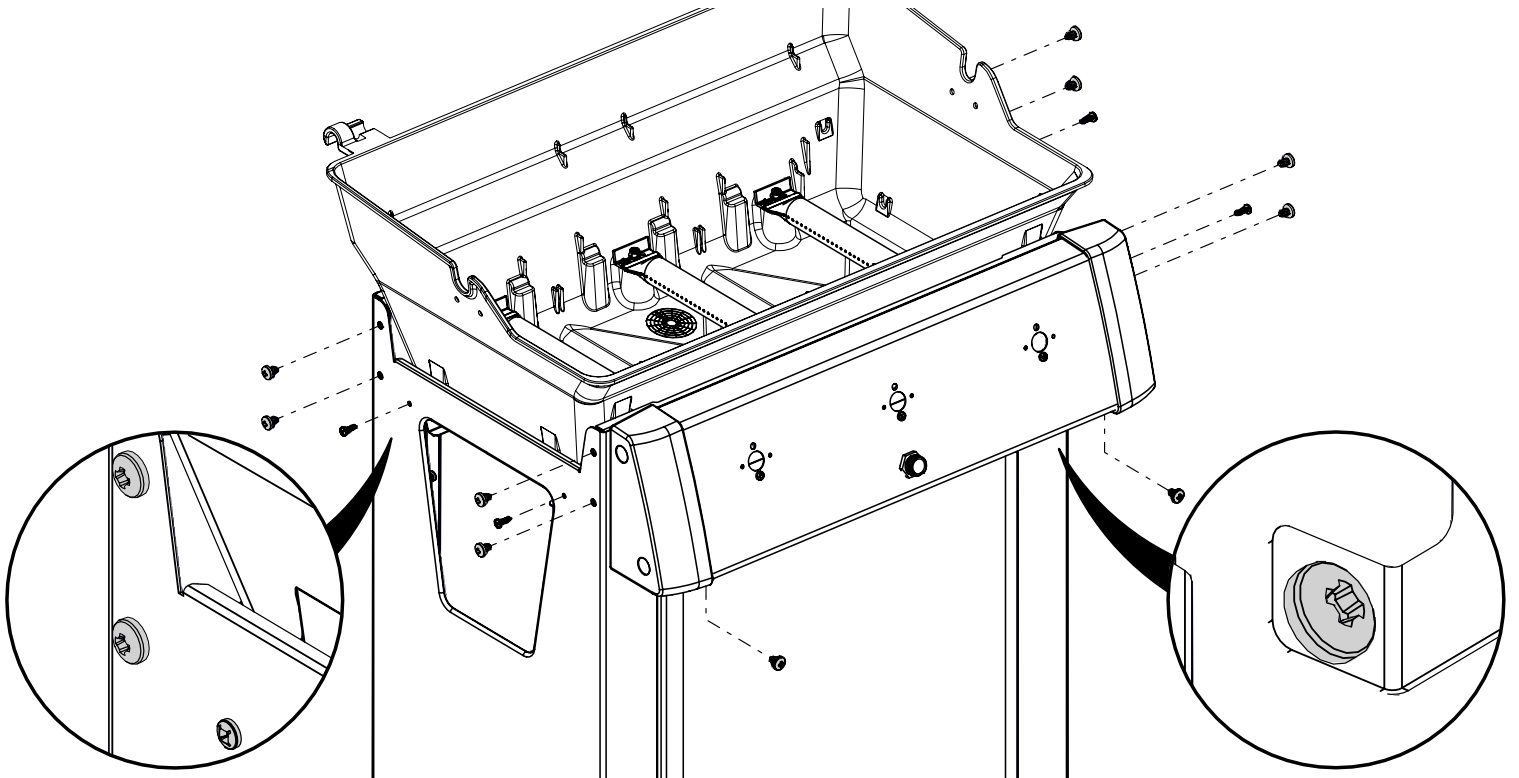


11

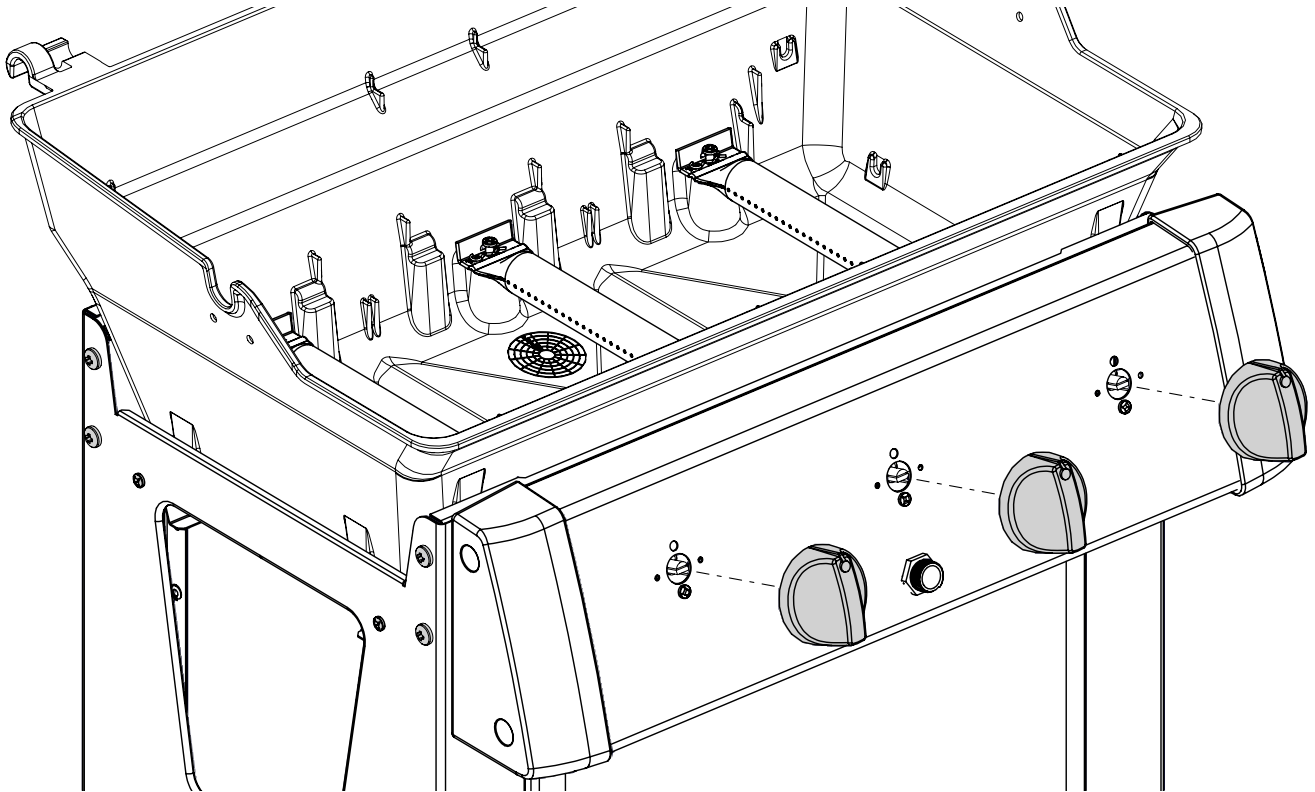


12

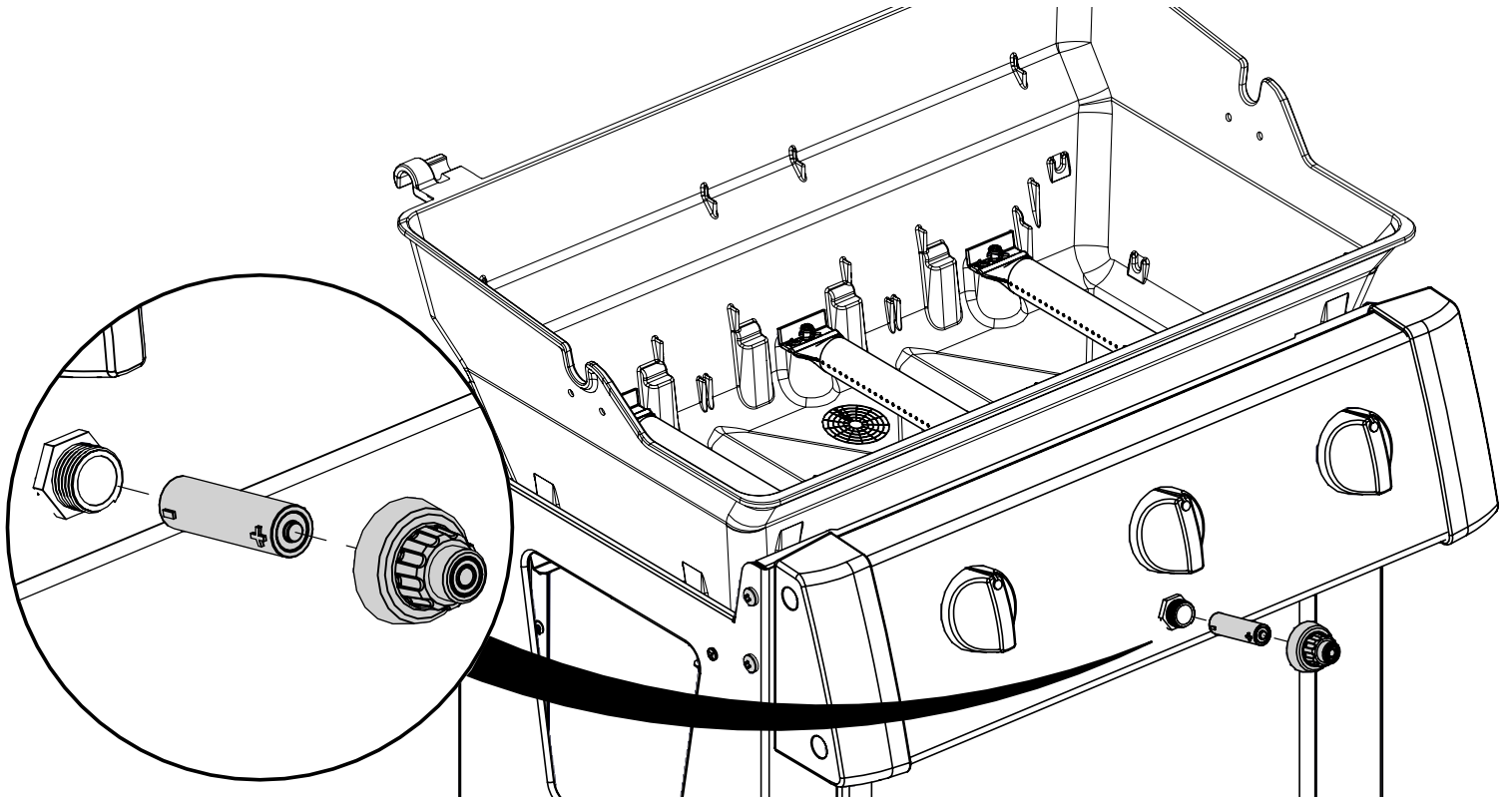
(10)  (4) 



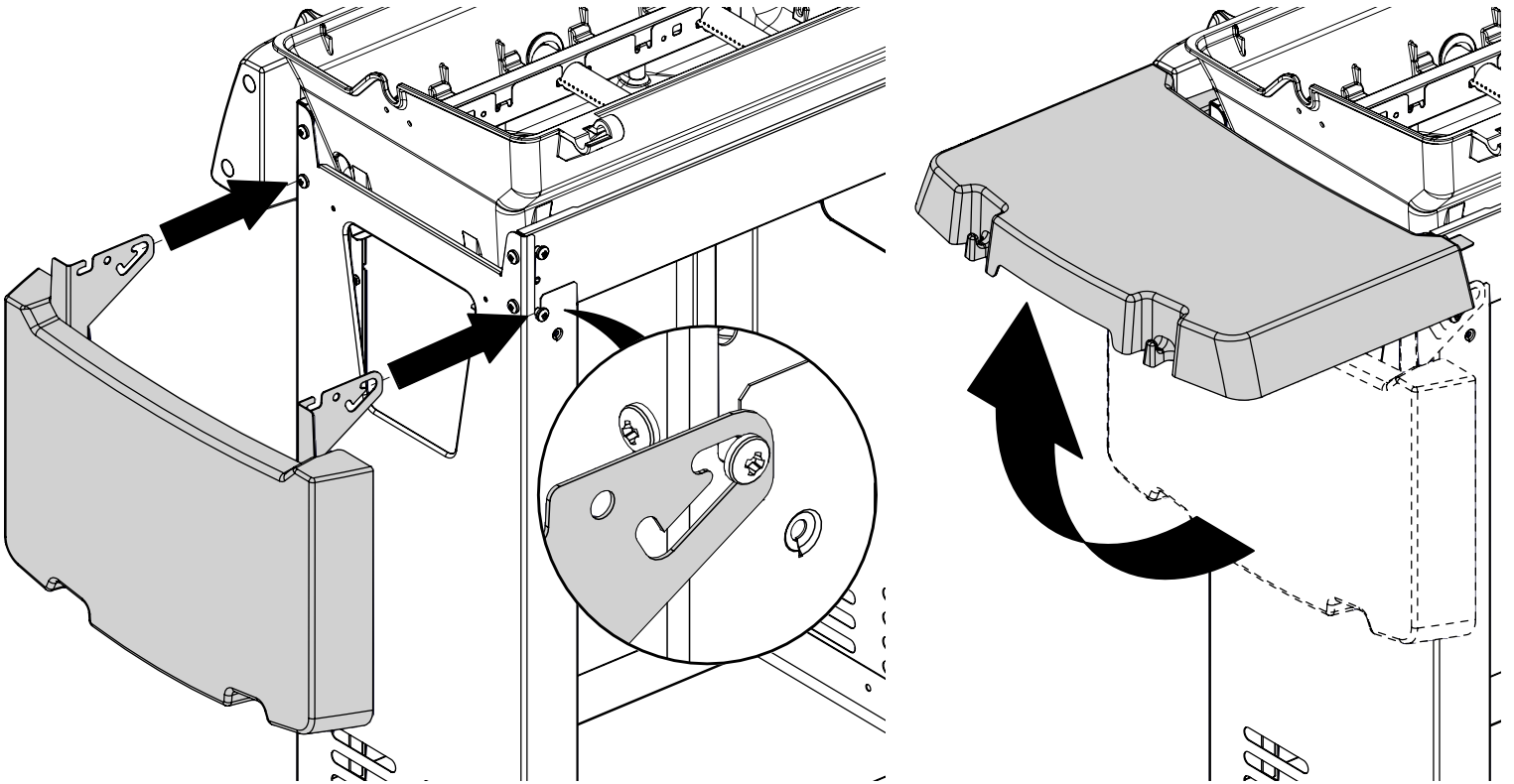
13



14

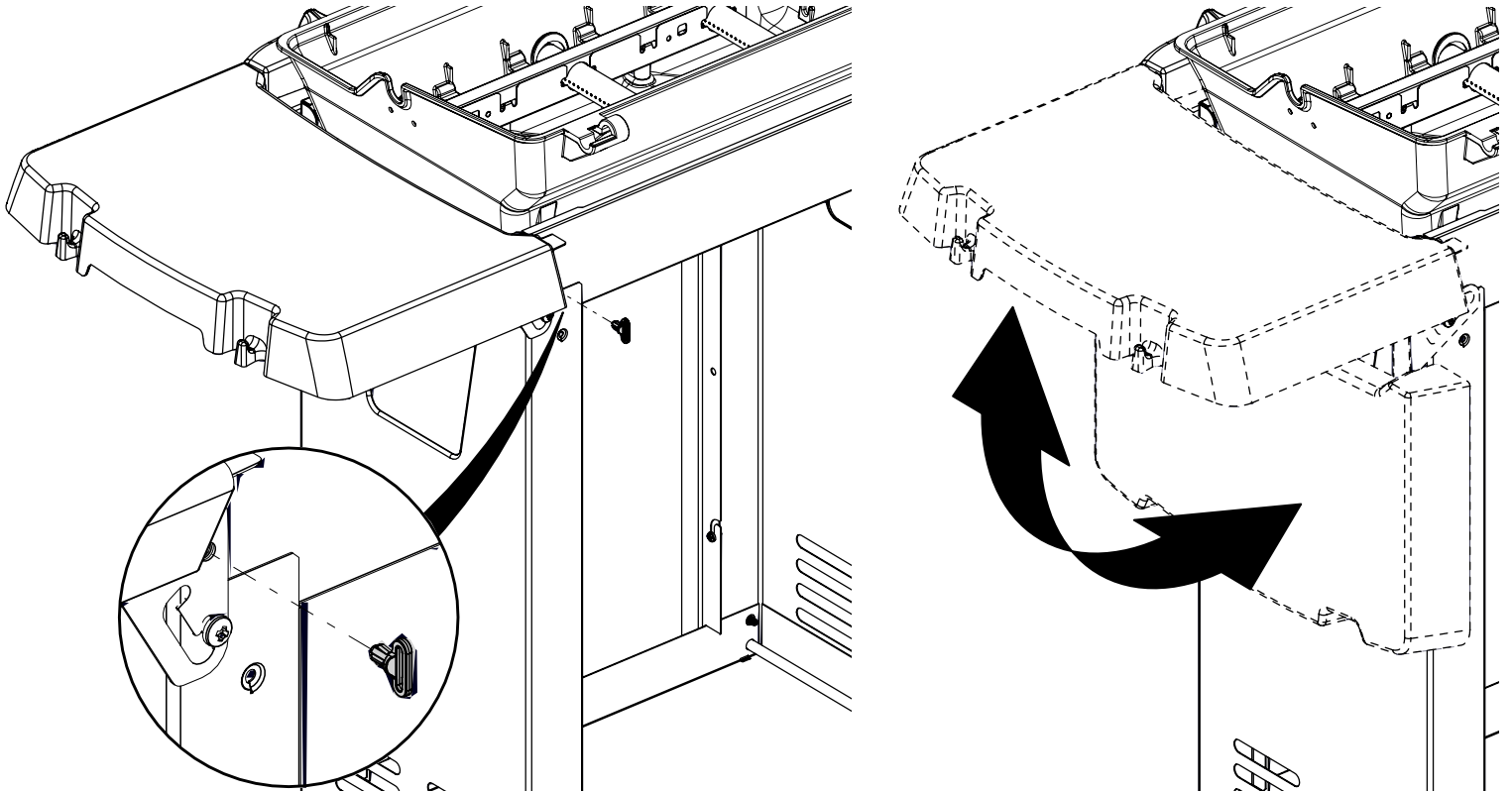
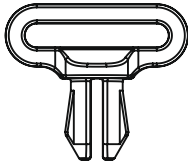


15

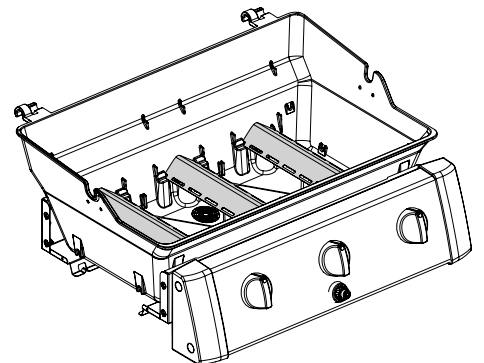
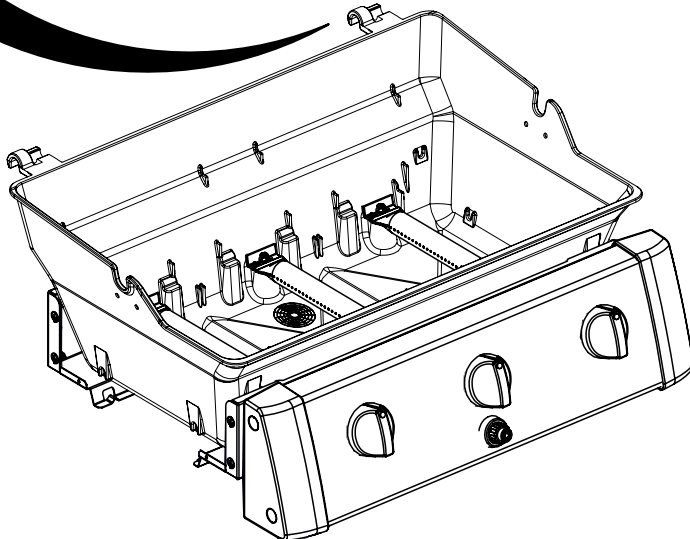
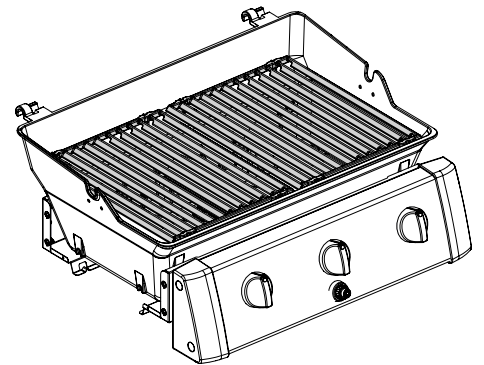
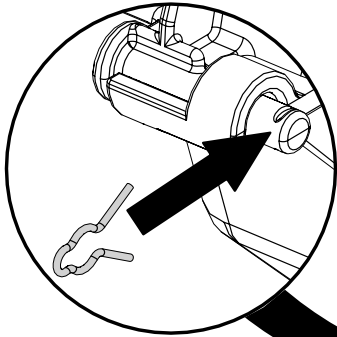
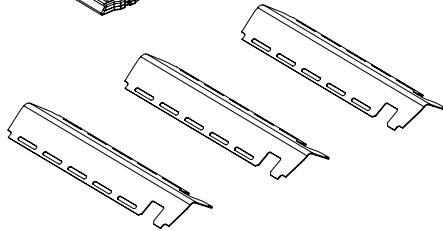
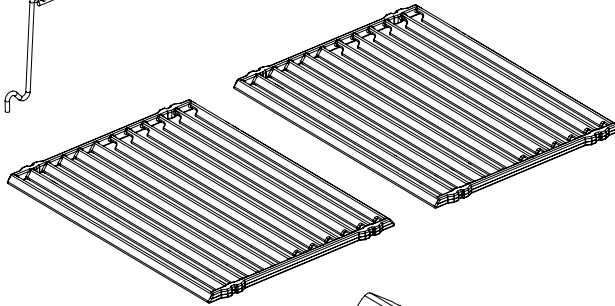
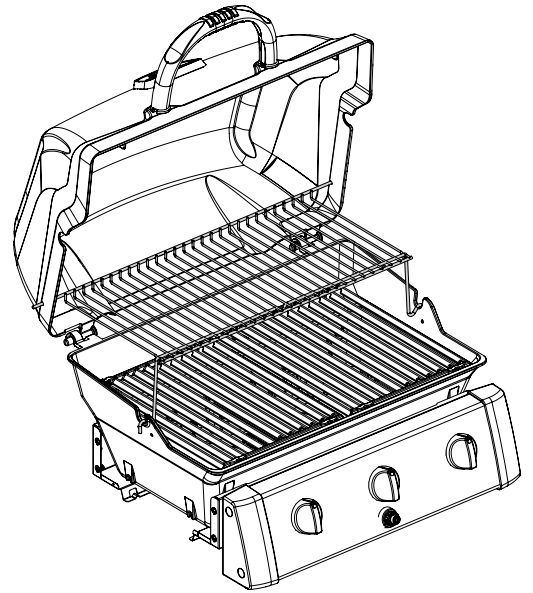
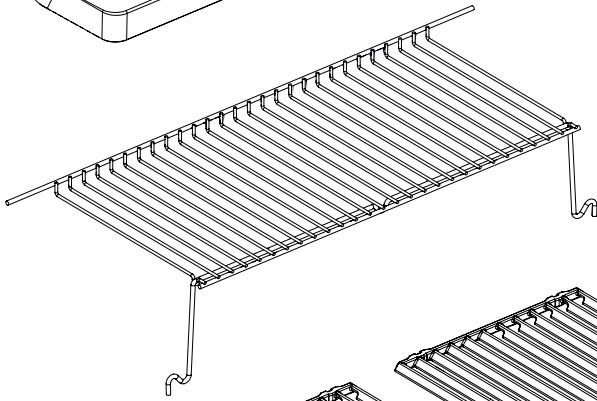
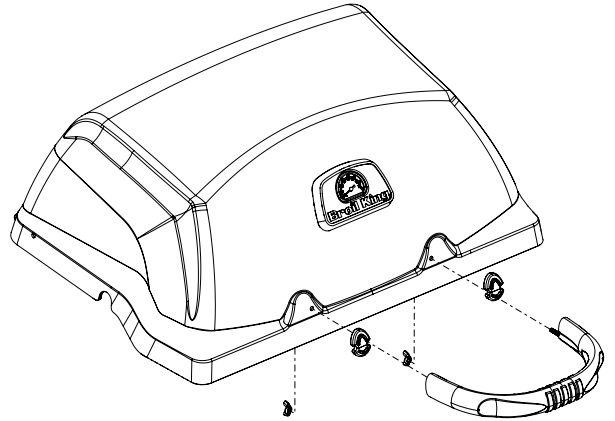
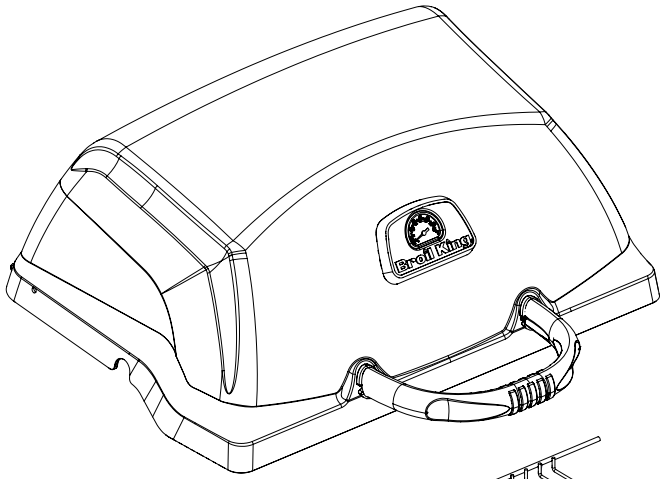
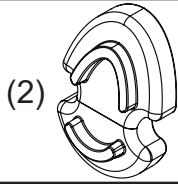
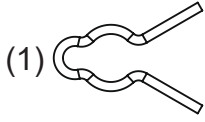


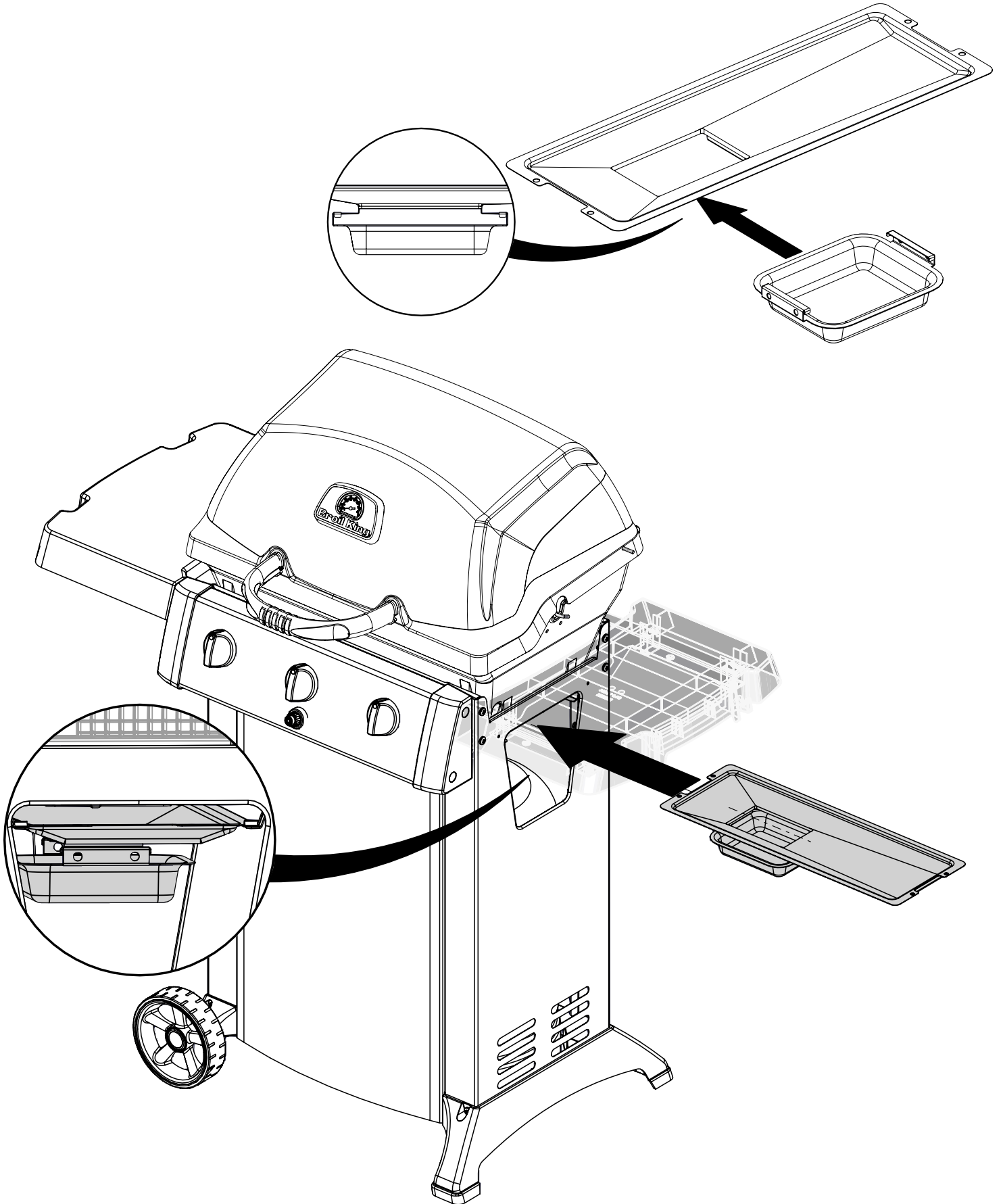
16

(2)

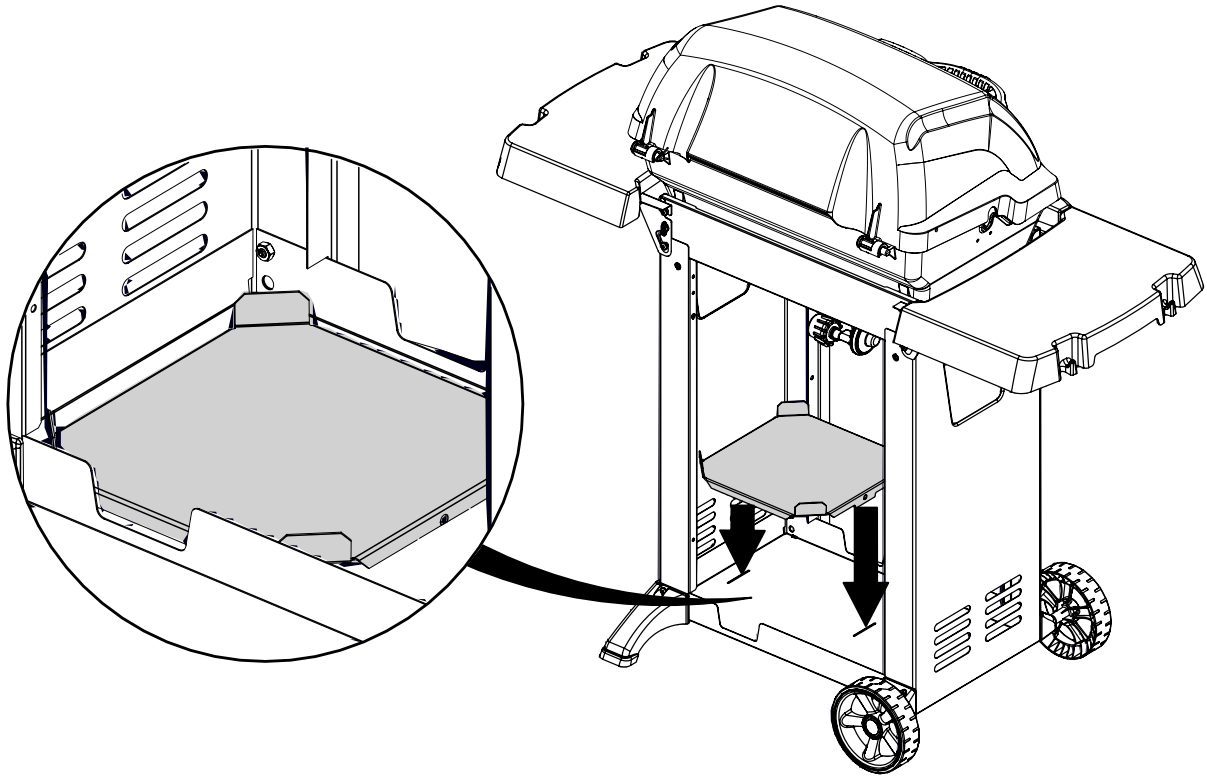


17

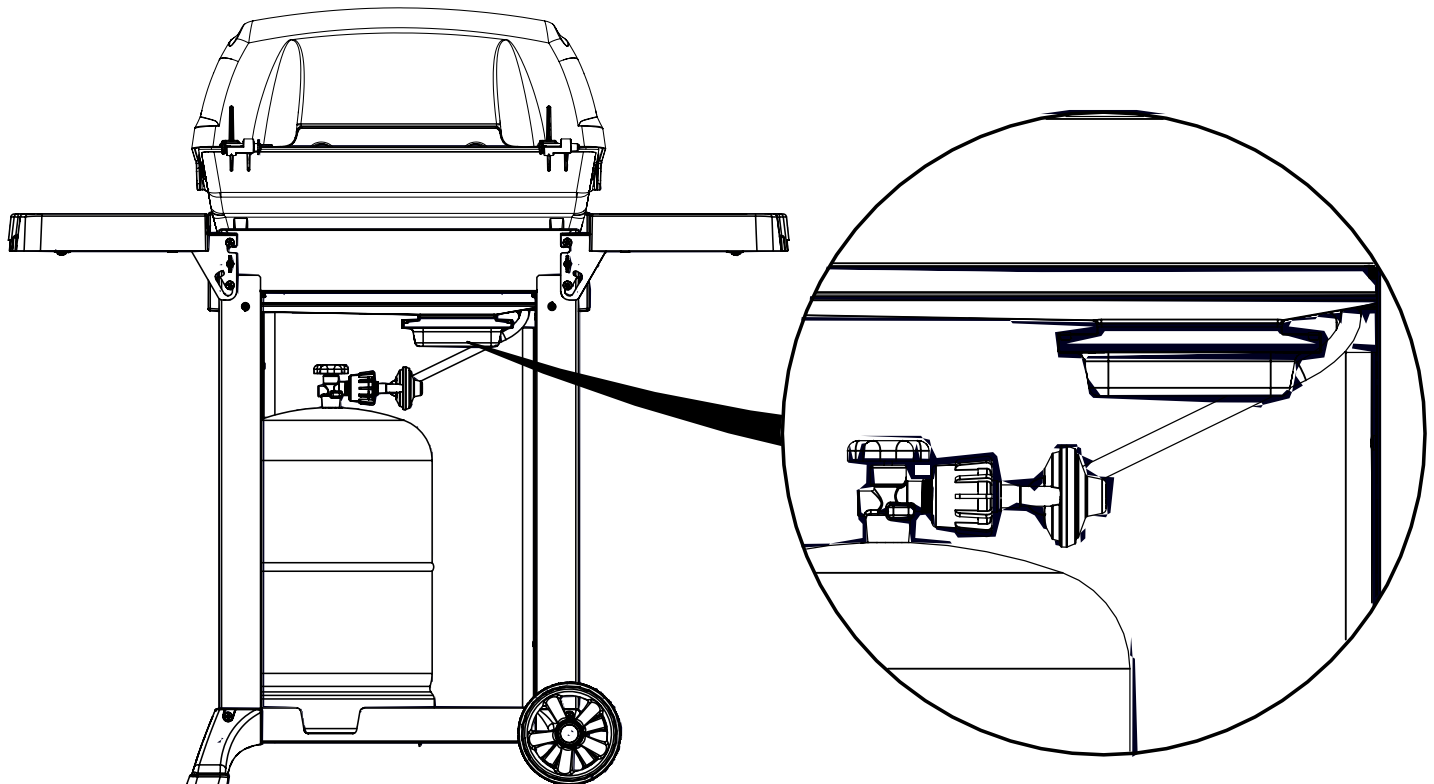




19



20



PARTS LIST / LISTE DES PIECES

<u>KEY #</u>	<u>ITEM #</u>	<u>DESCRIPTION</u>	<u>9323-53</u>	<u>9323-53NZ</u>
1	10909-F303	CASTING BOTTOM	1	1
2	10473-E300	CASTING TOP	1	1
3	10081-BK51	NAMEPLATE	1	1
4	S21061	WING NUT 10-24	2	2
5	10571-5	HEAT INDICATOR	1	1
7	SP5004-15	HINGE PIN CLIP	2	2
8	Y-11544S	SCREW - BURNER	3	3
9	10225-T205	GRID	1	1
10	10222-E33	HEAT TENT	3	3
11	SP5022-3	GRID - WARMING RACK	1	1
12	S21242	BURNER CLIP	3	3
15	10390-E30	BURNER	3	3
17	10342-245	ELECTRONIC IGNITOR	1	1
18	10342-E12	ELECTRODE	2	2
19	52014-903A	COLLECTOR BOX	1	1
21	39004-013	CONTROL ASSEMBLY	1	.
	39004-014	CONTROL ASSEMBLY	.	1
23	10472-K37	CONTROL KNOB	3	3
30	10194-E228	CONTROL COVER	1	1
31	10711-E19	EDGE CAP - LEFT	1	1
32	10711-E18	EDGE CAP - RIGHT	1	1
33	10184-F37	HEAT SHIELD	1	1
35	10184-F321	BRACKET - LEFT	1	1
36	10184-F331	BRACKET - RIGHT	1	1
37	10184-E361	SHELF BRACKET - LEFT	2	2
38	10184-E371	SHELF BRACKET - RIGHT	2	2
39	10956-F321	BRACE-REAR	1	1
40	10711-E361R	BASE	1	1
40A	10184-E291	TANK BRACKET	1	1
41	10956-F311	BRACE-FRONT	1	1
42	10958-F331	FRONT PANEL	1	1
43	10958-F301	SIDE PANEL	2	2
50	10711-F30	SHELF	2	2
56	10892-608	WHEEL	2	2
58	SP5001-40	HANDLE SPACER	2	2
70	10958-F28	WHEEL SPACER - LEFT	1	1
71	10958-F29	WHEEL SPACER - RIGHT	1	1
72	S21420	PUSH NUT	2	2
73	32001-151	HUB CAP	.	2
	32001-152	HUB CAP	2	.
75	SP5039-192	HANDLE	1	1
78	10958-F26	FOOT	1	1
80	Y-11546	SCREW 1/4-20 X 5/8	8	8
81	Y-12310	SCREW 1/4-20 X 3/4	4	4
82	Y-12673	SHELF - LOCK PIN	2	2
83	Y-12865	SCREW 1/4-20 X 1/2	8	8
84	S15174	AXLE	1	1
85	Y-12855	SCREW 1/4-20 X 3/8	18	18
98	S21124	SCREW 8 X 1/2	4	4
115	Y-29307	NUT 10-24	2	2
116	Y-29304	SCREW 10-24 X 3/8	4	4
122	57154-901	GREASE TRAY	1	1
123	52009-901	GREASE PAN	1	1
159	S21136	SCREW 8-32 X 3/8	3	3

