

DANCOVER[®]

.com







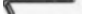
Manual
for
Picnic Table
1,75x1,455m

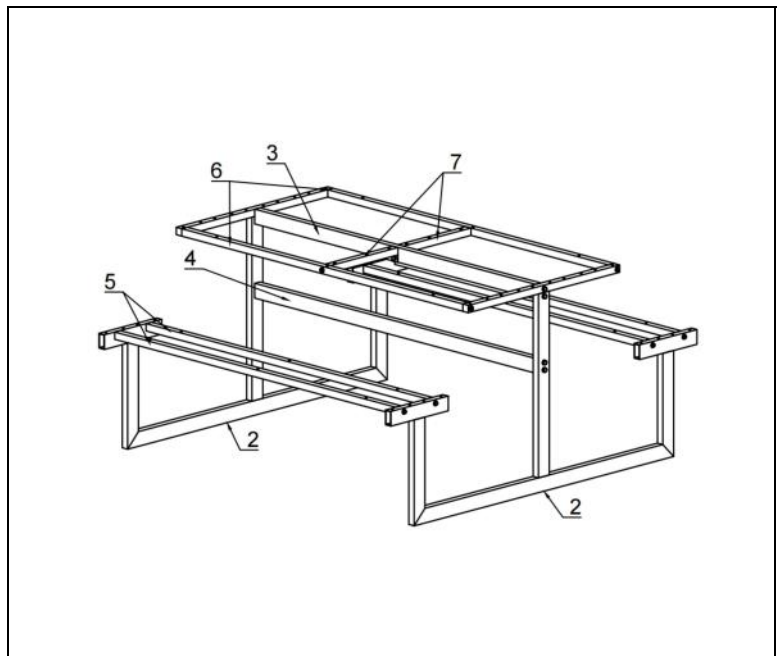
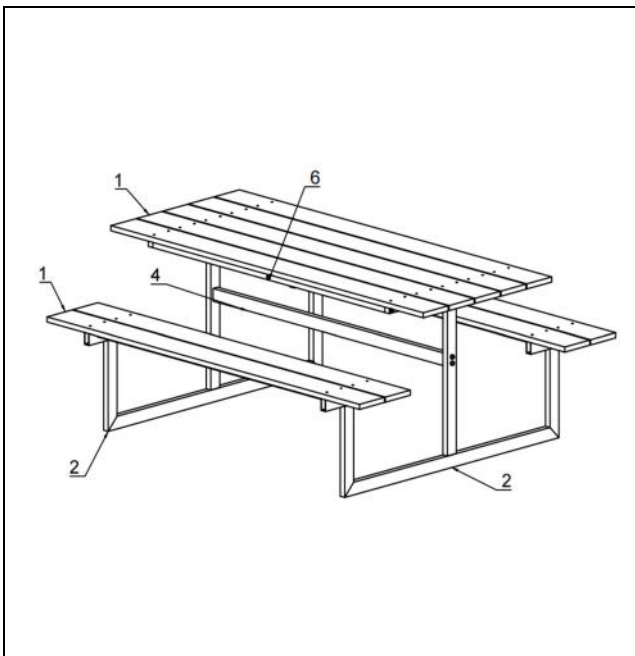
Plastic Wooden Tables & Bench

COMPONENTS CONTENTS

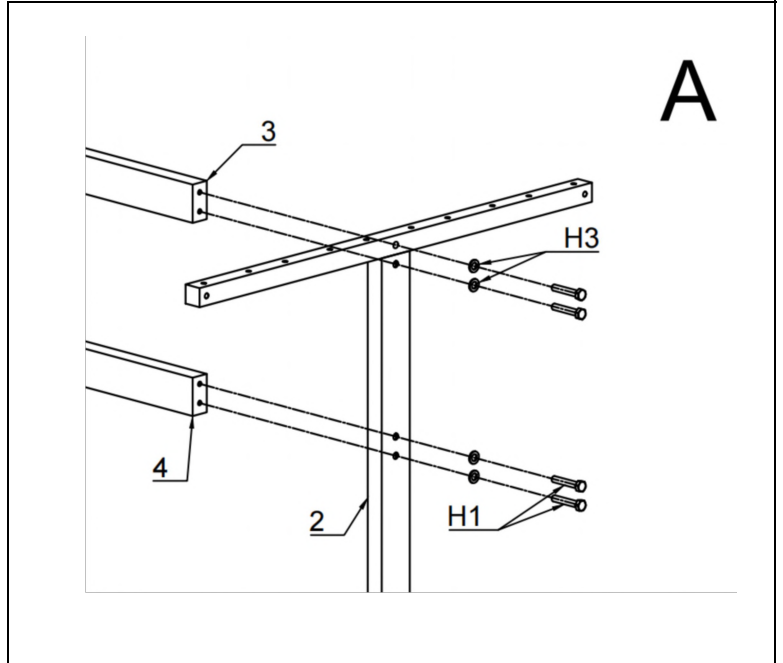
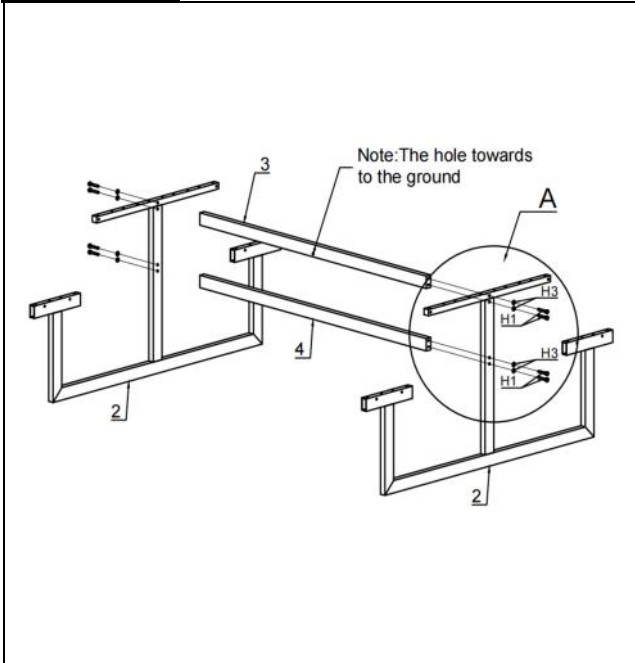
REF	QTY	DESCRIPTION
1	9	Plastic Wood Board
2	2	Table and Bench Frame
3	1	Upper Central Bar
4	1	Lower Central Bar
5	4	Bench Support
6	2	Table Top Support -Horizontal
7	2	Table Top Support -Vertical

FASTENER CONTENTS

REF	QTY	DESCRIPTION	PICTURE
H1	9	M8*45	
H2	14	M6*40	
H3	22	φ8.5	
H4	1	M8	
H5	16	M6*65	
H6	44	M6*40	
	1	4mm	

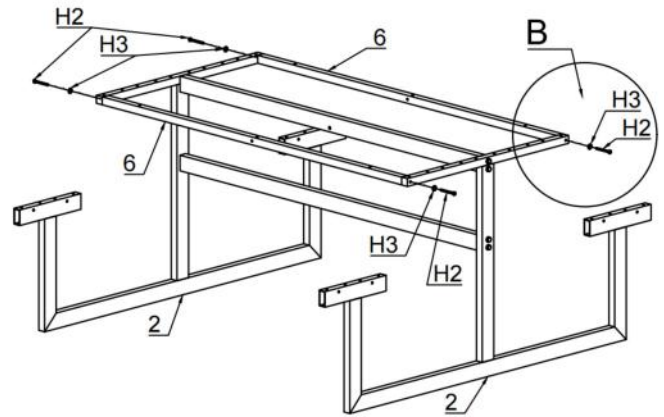
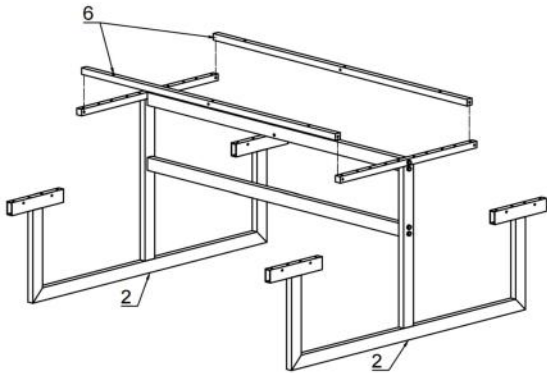


Step 1

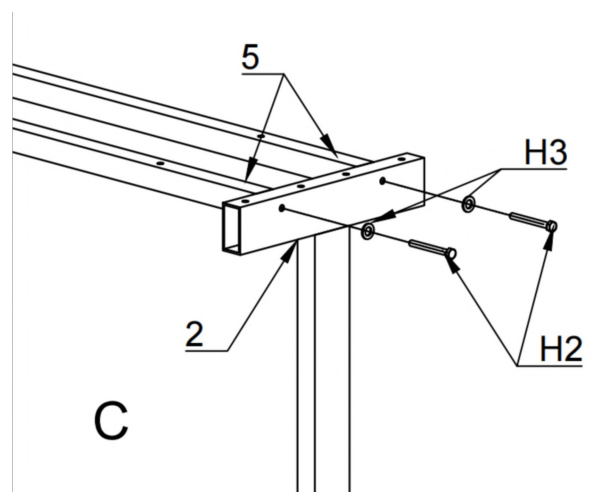
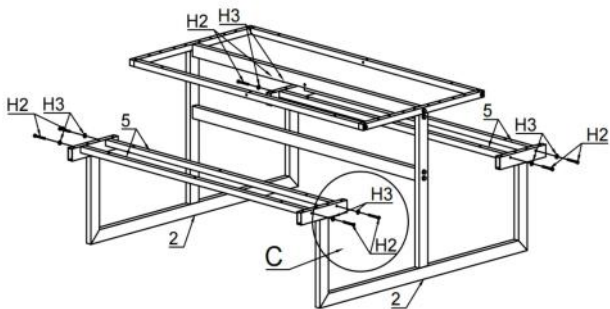
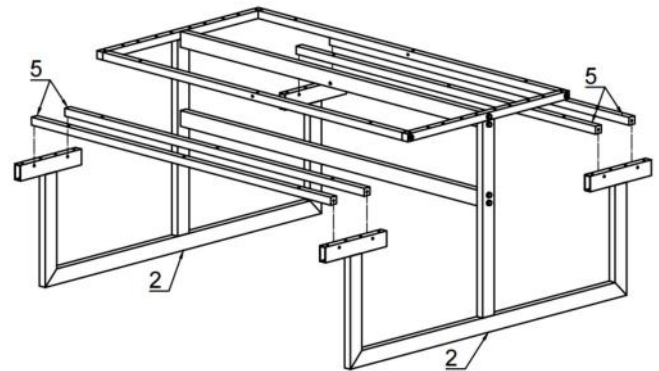
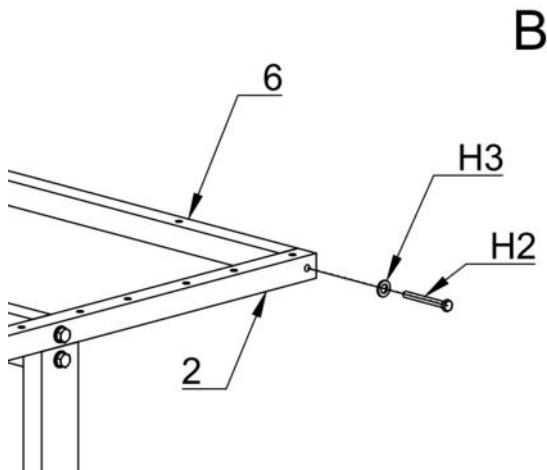


Plastic Wooden Tables & Bench

Step2

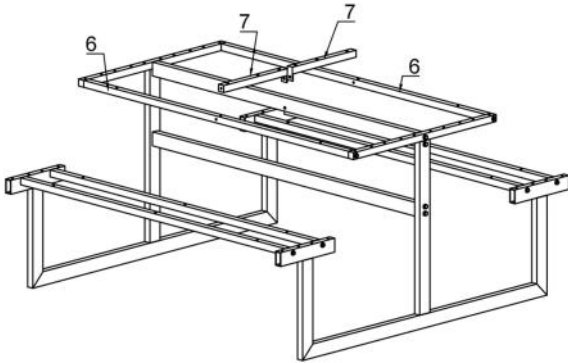


Step3

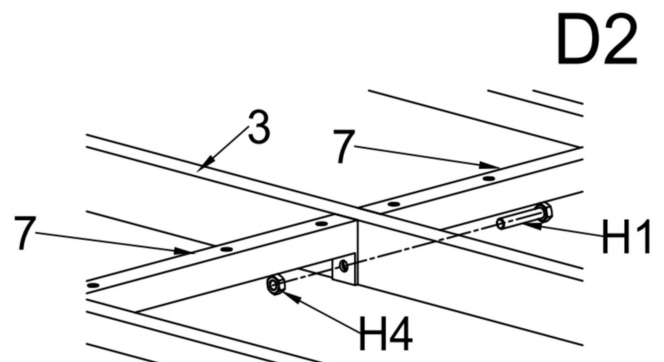
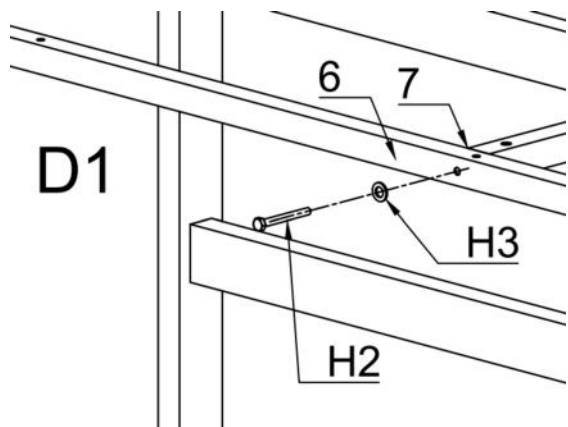
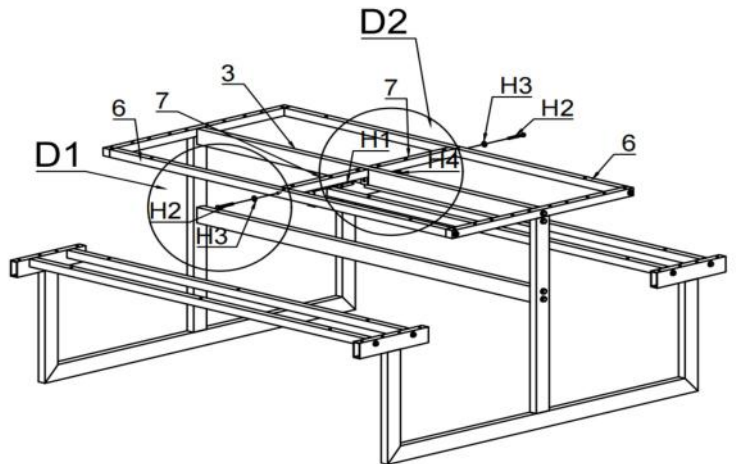


Plastic Wooden Tables & Bench

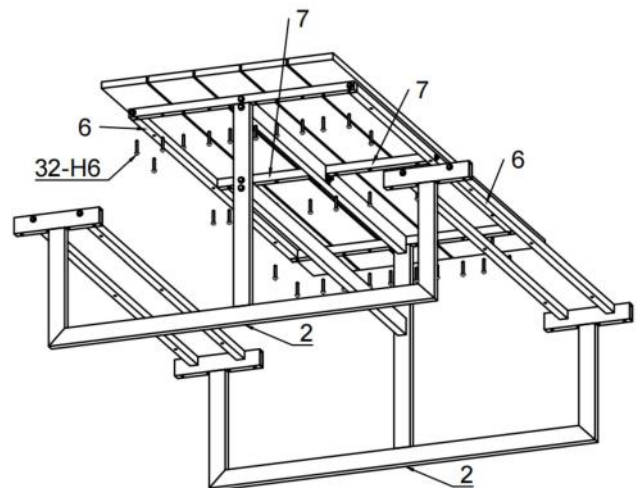
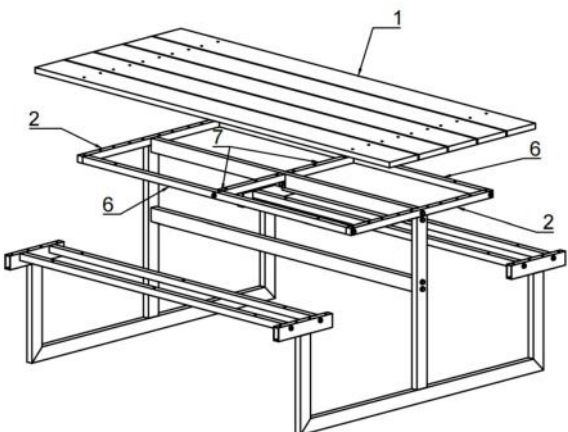
Step4



Make sure component 6 and 7 be connected tightly

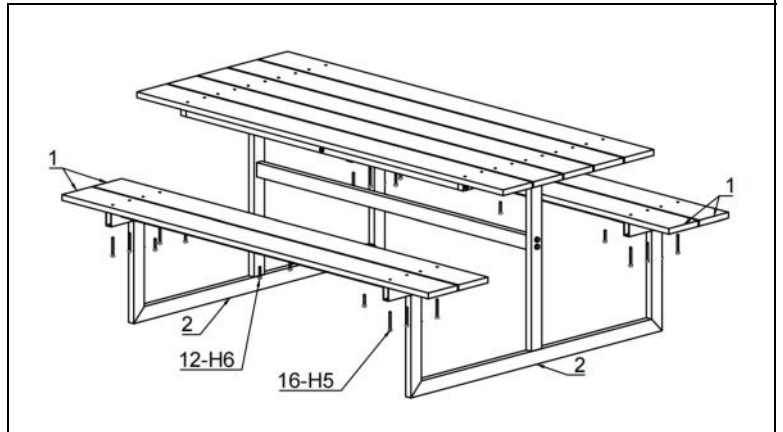
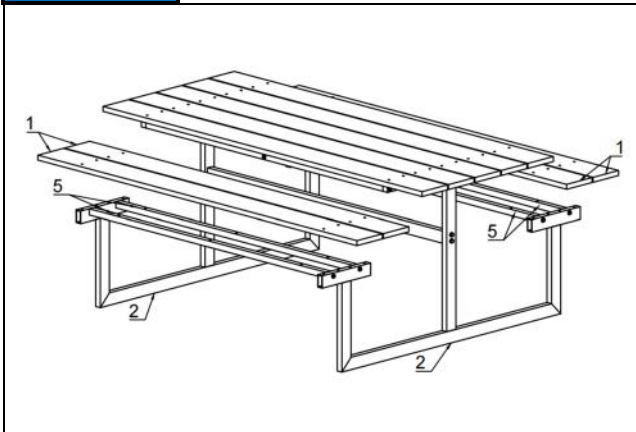


Step5



Plastic Wooden Tables & Bench

Step6



Contact information

Austria



Belgium



Croatia



Denmark



Estonia



Finland



France



Germany



Ireland



Italy



Latvia



Lithuania



Nederland



Norway



Poland



Portugal



Spain



Sweden



Switzerland



UK

